

*Discover* 125M/100M



*Discover* 125M/100M

**Bajaj Auto Limited**  
Akurdi Pune 411 035 India  
Tel +91 20 27472851  
Fax +91 20 27407385  
[www.bajajauto.com](http://www.bajajauto.com)  
CIN L65993PN2007PLC130076

# Spare Parts Catalogue



## Notice

*DISCOVER* 125M/100M

All information contained in this manual is based on the latest product information at the time of publication. Bajaj Auto Limited accepts no liability for any inaccuracies or omissions in this publication, although every possible care has been taken to make it as complete and accurate as possible. All procedures and specifications subject to change without prior notice. The right is reserved to make such changes at any time without prior notice and without incurring an obligation to make such changes to product manufactured previously. Contact your authorized Bajaj Dealer for the latest information on product improvements incorporated after this manual was issued.

**DOC. NO.: 71112001**

**REV. 04 DEC 14**

Copy rights : All rights reserved. No part of this publicatin may be reproduced, stored in a retrival system, Or transmitted in any form or by any means, electronic mechanical photocopying, recording or otherwise, without the prior written permission of Bajaj Auto LTD.

We have pleasure in presenting the Spare Parts Catalogue for 'Discover 125 M / 100 M' Motorcycle. This catalogue has been specially designed to assist you in selecting the correct parts for procurement to maintain 100% availability.

The Bajaj spares are subjected to the stringent quality control standards to ensure longer life of the vehicle. It is therefore necessary that only the Genuine Bajaj Spares are used.

In a continual effort to improve Performance and Efficiency of the vehicles, Specifications, Diagrams, Illustrations and Part Numbers can change without notice. Consequently, the description in this Spare Parts Catalogue cannot therefore be final and binding on us.

The modifications / alterations which are carried out after the issue of this catalogue, will be conveyed to you through our Service Circulars. You are requested to make necessary corrections in the Parts Catalogue as per the circulars so as to keep your catalogue up-to-date. This will ensure the appropriate and speedy delivery of the Spare Parts as the order placed will bear the latest part numbers.

In case, if you need any technical assistance contact the concerned Regional Office or write to us on the following address :

## **Bajaj Auto Limited**

### **Service Department**

Akurdi, Pune 411 035 India

Phone : 020-27406557

Fax : 020-27407385

**1. How to Read the Catalogue :** Open the catalogue and from the pictorial index locate the group in which the part you want to find is present. Turn over to the concerned page number (as given by pictorial index). Now find out the figure of the part you wish to order. Write down the part number against that particular figure number from the text.

In case, if you have the part number and you need the other details, the part index can be used. The part index (at the end of the catalogue) will give you the figure and page number of the part you wish to order.

**2. How to Order Spare Parts :** The part number and the description of the part required should be invariably mentioned in the order as per the catalogue text.

The latest part number as conveyed through our service circulars should only appear on the order. In case of ordering painted components, colour shade of the components should be mentioned.

The quantity shown against the part number is the quantity per vehicle for that group so that particular quantity should be multiplied by the number of sets required.

**3. Part Number System :** We have used 8 digit system for part numbers. The model or hardware item is indicated by first two digits or alphanumeric, the next two or four digits indicate main group and the last four or two digits indicate serial number in main group or serial number or subgroup of fastener respectively. Thus the part numbers will be indicated by 2-2-4 or 2-4-2 digit system. Understanding this system will enable you to identify the spare parts easily.

**4. Abbreviations :** The following abbreviations are used in this catalogue.

Assly	Assembly	V	Volts
N.I.	Not illustrated	W	Watts
C'case	Crankcase	Accl.	Accelerator
Cyl	Cylinder	Comp.	Complete
O/s	Over size	Fr.	Front
Rr.	Rear	Std.	Standard
L	Length	A/t.	Alternate
R.H.	Right hand	L.H.	Left hand
Hex.	Hexagonal	AR	As required



Plate No.	Description	Page No.
1	Cover Cylinder Head	2
2	Cylinder Head	4
3	Valve	6
4	Camshaft / Tensioner	8
5	Cylinder and Piston	10
6	Crankshaft	12
7	Transmission	14
8	Change Drum / Shift Fork	16
9	Gear Change Mechanism	18
10	Engine Assly / Crankcase RH	20
11	Crankcase LH	22
12	Oil Pump	24
13	Kick Starter Mechanism	26
14	Cover Clutch	28
15	Cover Magneto	30
16	Clutch Assly	32
17	Carburettor Assembly (100M)	34
18	Carburettor Assembly (125M)	36
19	Air Cleaner Complete	38
20	Silencer Assly	40
21	Starter Assly	42
22	Magneto, C.D.I. & H.T. Coil	44
23	Seat Assly / Seat Lock	46
24	Engine Mountings	48
25	Frame and Frame Fitting	50
26	Swing Arm/Rear Shock Absorber	52
27	Rider Foot Rest	54
28	Mudguard- Front & Rear	56
29	Stand Assembly	58
30	Tyre/ Tube / Rim	60

Plate No.	Description	Page No.
31	Front Hub (Drum brake)	62
32	Front Hub (Disc Brake)	64
33	Front Master Cylinder (Disc Brake)	66
34	Front Caliper Assembly (Disc Brake)	68
35	Rear Hub	70
36	Rear Brake Pedal	72
37	Handle Bar Assly	74-76
38	Front Fork	78
39	Painted Parts & Decals-D 100 M	80-82
40	Painted Parts & Decals-D 125 M	84-88
41	Petrol Tank, Cap Tank & Gauge Fuel	90
42	Fittings - Petrol Tank, Side Cover & Cover Seat	92
43	Meter Assly.	94
44	Control Cables	96
45	Chain Case	98
46	Head Lamp & Fairing	100
47	Indicator Light Assly.	102
48	Tail Lamp Assly. / Front No. Plate	104
49	Electrical Equipments	106
50	Tool Kit	108
51	Accessories / Grab Handle	110
	Kits List	111-118
	Part Index	119

# Pictorial Index

*Discover* 125M/100M

PLATE NO. : 1  
COVER CYLINDER HEAD

PAGE NO.  
2

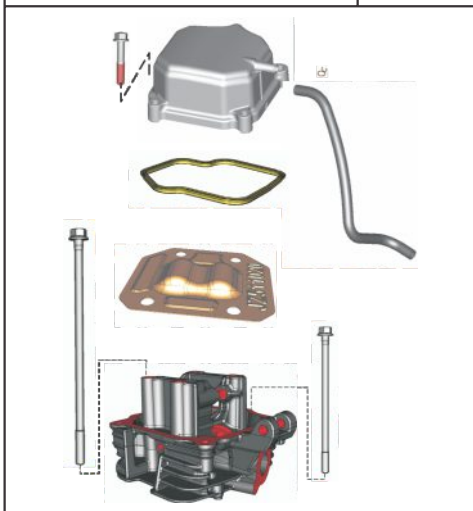


PLATE NO. : 2  
CYLINDER HEAD

PAGE NO.  
4

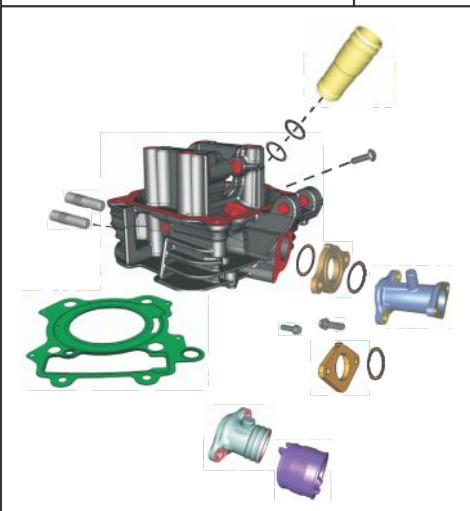


PLATE NO. : 3  
VALVE

PAGE NO.  
6

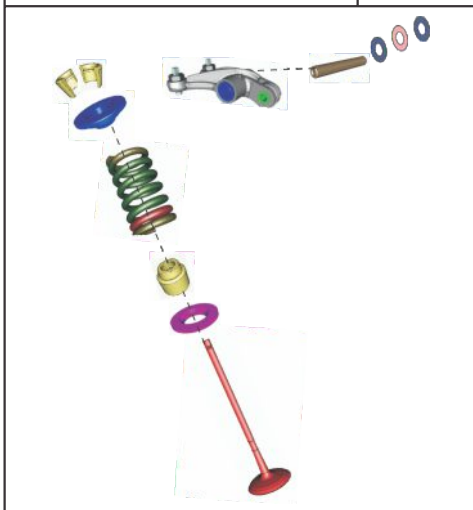


PLATE NO. : 4  
CAMSHAFT / TENSIONER

PAGE NO.  
8



# Pictorial Index

*Discover* 125M/100M

PLATE NO. : 5  
CYLINDER & PISTON

PAGE NO.  
10

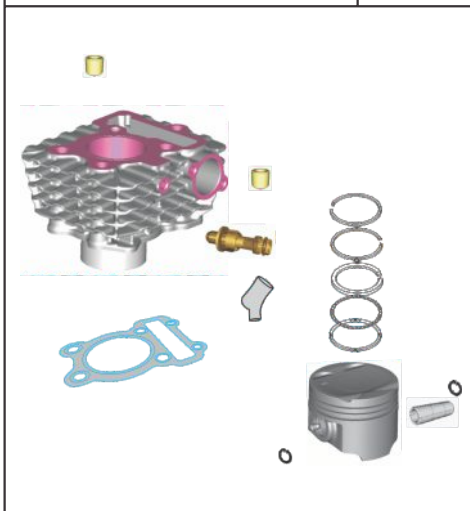


PLATE NO. : 6  
CRANKSHAFT

PAGE NO.  
12

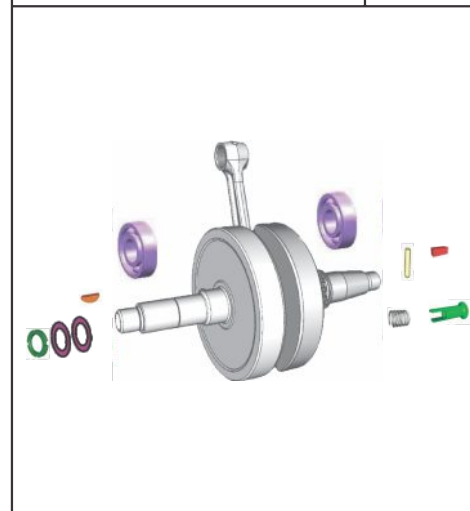


PLATE NO. : 7  
TRANSMISSION

PAGE NO.  
14

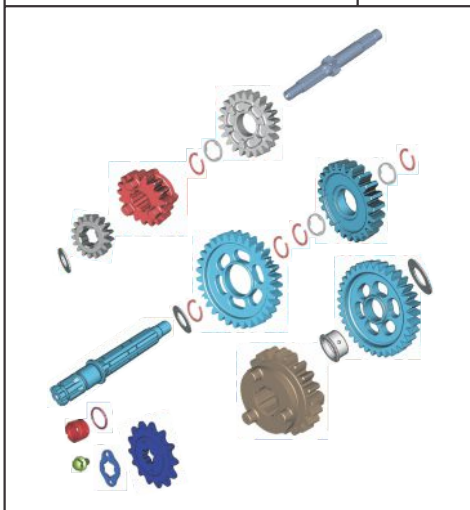


PLATE NO. : 8  
CHANGE DRUM / SHIFT FORK

PAGE NO.  
16



# Pictorial Index

*Discover* 125M/100M

PLATE NO. : 9 GEAR CHANGE MECHANISM	PAGE NO. 18

PLATE NO. : 10 ENGINE ASSLY & CRANKCASE RH	PAGE NO. 20

PLATE NO. : 11 CRANKCASE LH	PAGE NO. 22

PLATE NO. : 12 OIL PUMP	PAGE NO. 24

# Pictorial Index

*Discover* 125M/100M

PLATE NO. : 13 KICK STARTER MECHANISM	PAGE NO. 26

PLATE NO. : 14 COVER CLUTCH	PAGE NO. 28

PLATE NO. : 15 COVER MAGNETO	PAGE NO. 30

PLATE NO. : 16 CLUTCH ASSLY	PAGE NO. 32

# Pictorial Index

*Discover* 125 M / 100 M

PLATE NO. : 17 CARBURETTOR - 100 M	PAGE NO. 34

PLATE NO. : 18 CARBURETTOR - 125 M	PAGE NO. 36

PLATE NO. : 19 AIR CLEANER COMPLETE	PAGE NO. 38

PLATE NO. : 20 SILENCER ASSLY	PAGE NO. 40

# Pictorial Index

*Discover* 125 M / 100 M

PLATE NO. : 21 STARTER ASSLY	PAGE NO. 42

PLATE NO. : 22 MAGNETO, C.D.I. & H.T. COIL	PAGE NO. 44

PLATE NO. : 23 SEAT ASSLY / SEAT LOCK	PAGE NO. 46

PLATE NO. : 24 ENGINE MOUNTINGS	PAGE NO. 48



# Pictorial Index

*Discover* 125M/100M

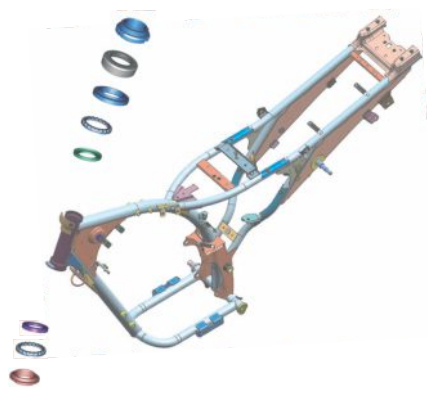
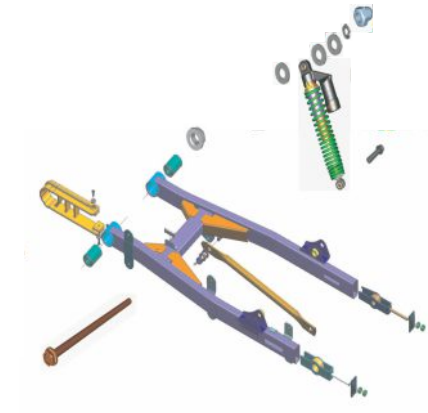
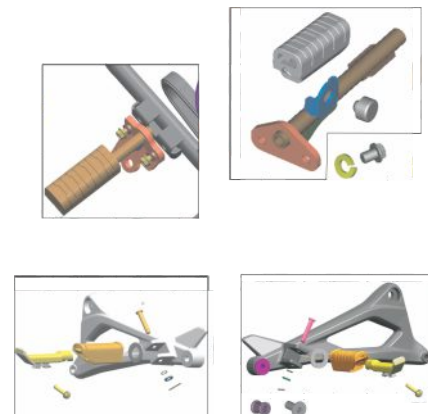
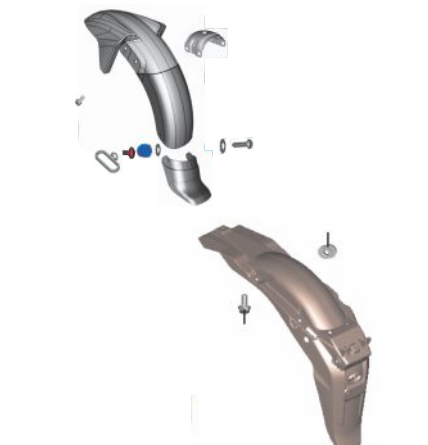
PLATE NO. : 25 FRAME AND FRAME FITTING	PAGE NO. 50	PLATE NO. : 26 SWING ARM/REAR SHOCK ABSORBER	PAGE NO. 52
			

PLATE NO. : 27 RIDER FOOT REST	PAGE NO. 54	PLATE NO. : 28 MUDGUARD- FRONT & REAR	PAGE NO. 56
			

# Pictorial Index

*Discover* 125M/100M

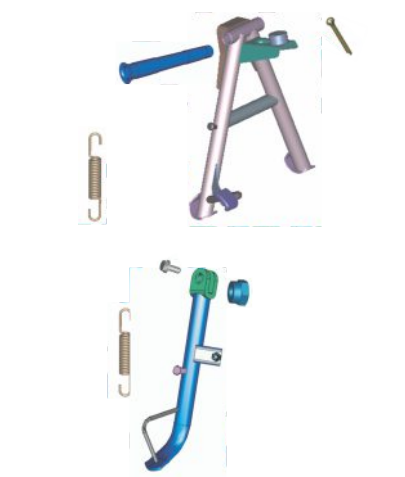
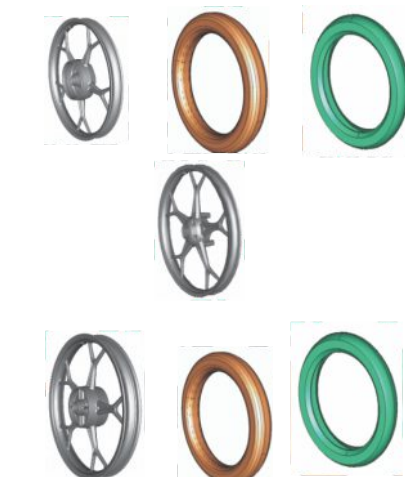


PLATE NO. : 29 STAND ASSEMBLY	PAGE NO. 58	PLATE NO. : 30 TYRE/ TUBE / RIM	PAGE NO. 60
			

PLATE NO. : 31 FRONT HUB (DRUM BRAKE)	PAGE NO. 62	PLATE NO. : 32 FRONT HUB (DISC BRAKE)	PAGE NO. 64
			

# Pictorial Index

*Discover* 125M/100M

PLATE NO. : 33  
FRONT MASTER CYLINDER  
(DISC BRAKE)

PAGE NO.  
66

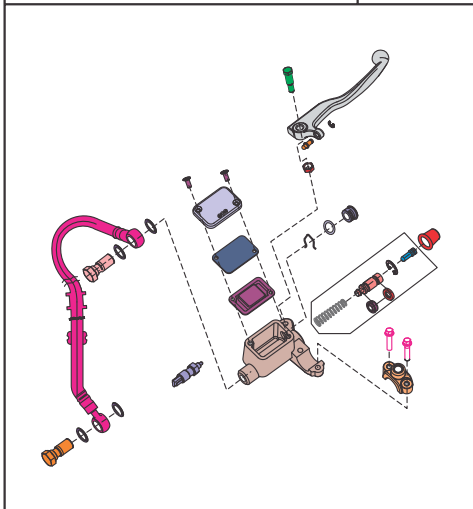


PLATE NO. : 34  
FRONT CALIPER ASSLY (DISC BRAKE)

PAGE NO.  
68

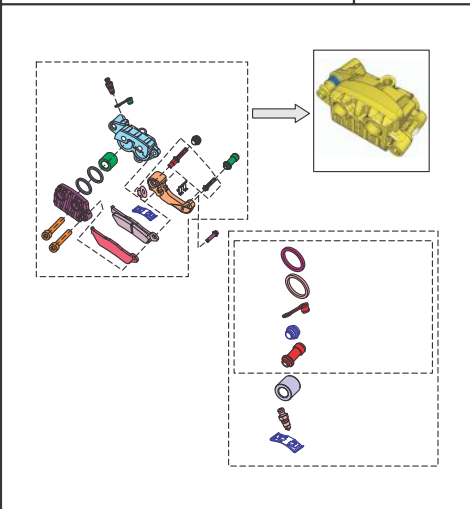


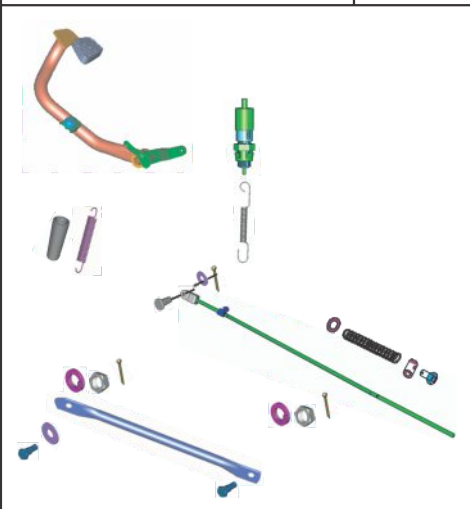
PLATE NO. : 35  
REAR HUB

PAGE NO.  
70



PLATE NO. : 36  
REAR BRAKE PEDAL

PAGE NO.  
72



# Pictorial Index

*Discover* 125M/100M

PLATE NO. : 37  
HANDLE BAR ASSLY

PAGE NO.  
74-76

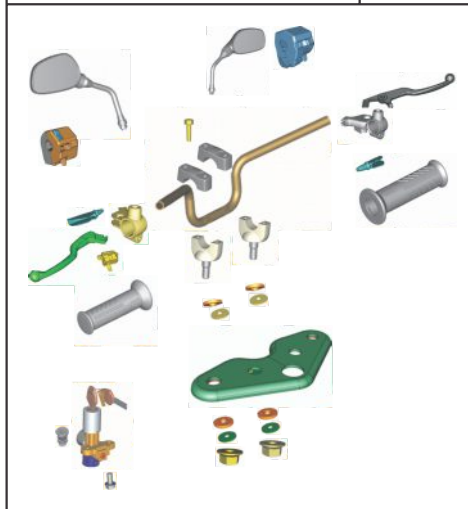


PLATE NO. : 38  
FRONT FORK

PAGE NO.  
78

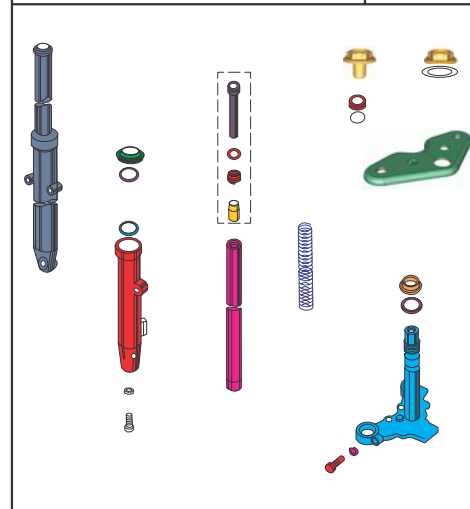


PLATE NO. : 39  
PAINTED PARTS & DECALS-D100M

PAGE NO.  
80-82



PLATE NO. : 40  
PAINTED PARTS & DECALS-D100M

PAGE NO.  
84-88



# Pictorial Index

*Discover* 125M/100M

PLATE NO. : 41  
PETROL TANK, CAP TANK & GAUGE  
FUEL

PAGE NO.  
90

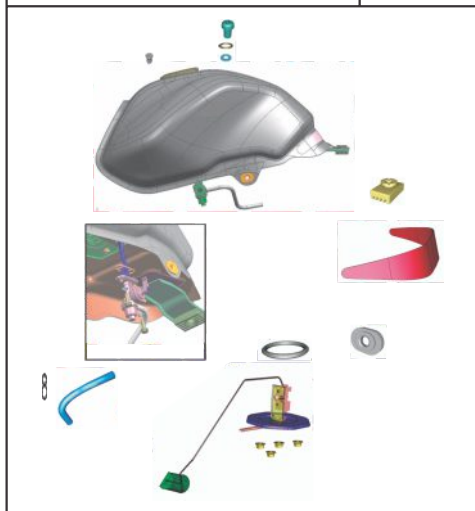


PLATE NO. : 42  
FITTINGS - PETROL TANK, SIDE  
COVER & COVER SEAT.

PAGE NO.  
92

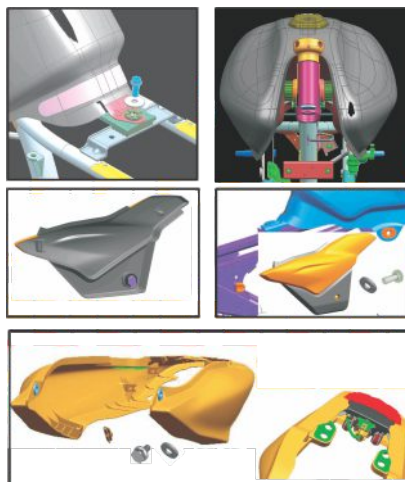


PLATE NO. : 43  
METER ASSLY.

PAGE NO.  
94

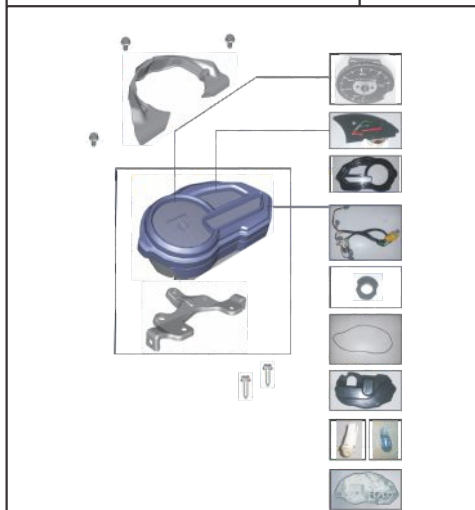


PLATE NO. : 44  
CONTROL CABLES

PAGE NO.  
96



# Pictorial Index

*Discover* 125M/100M

PLATE NO. : 45  
CHAIN CASE

PAGE NO.  
98

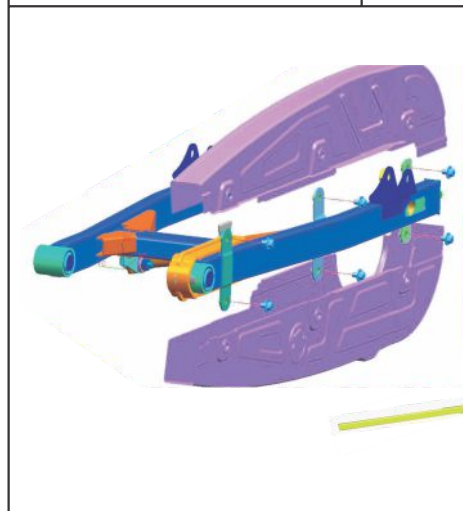


PLATE NO. : 46  
HEAD LAMP & FAIRING

PAGE NO.  
100

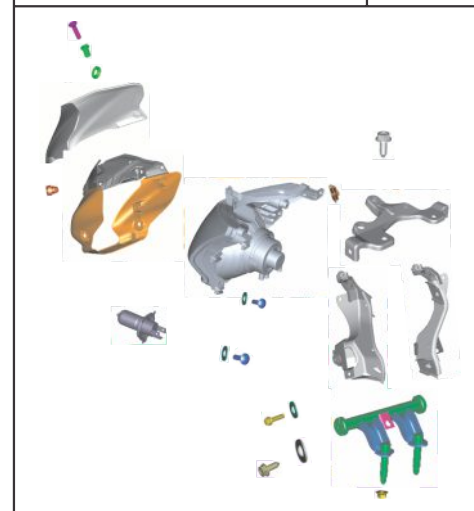


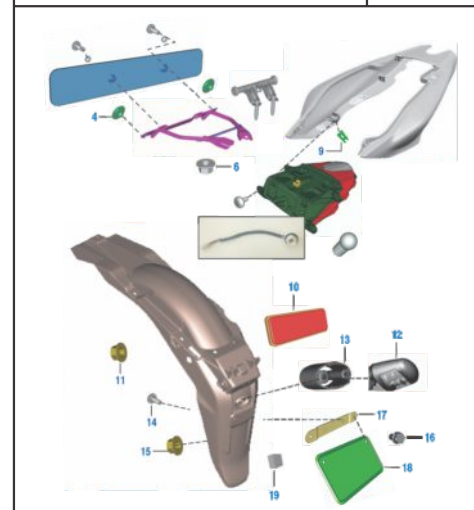
PLATE NO. : 47  
INDICATOR LIGHT ASSLY.

PAGE NO.  
102



PLATE NO. : 48  
TAIL LAMP ASSLY. / FRONT  
NUMBER PLATE

PAGE NO.  
104



# Pictorial Index

*Discover* 125M/100M

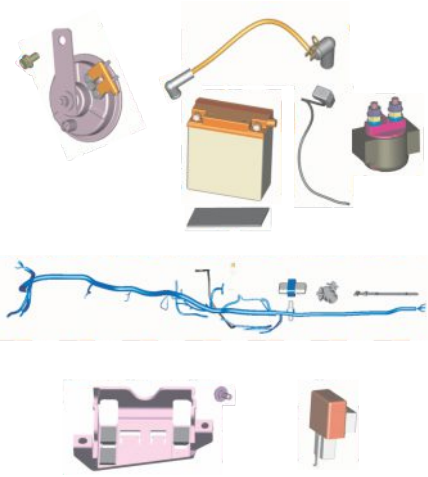
PLATE NO. : 49 ELECTRICAL EQUIPMENTS	PAGE NO. 106
	

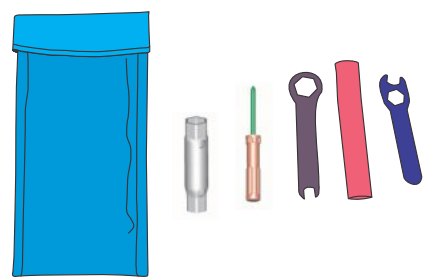

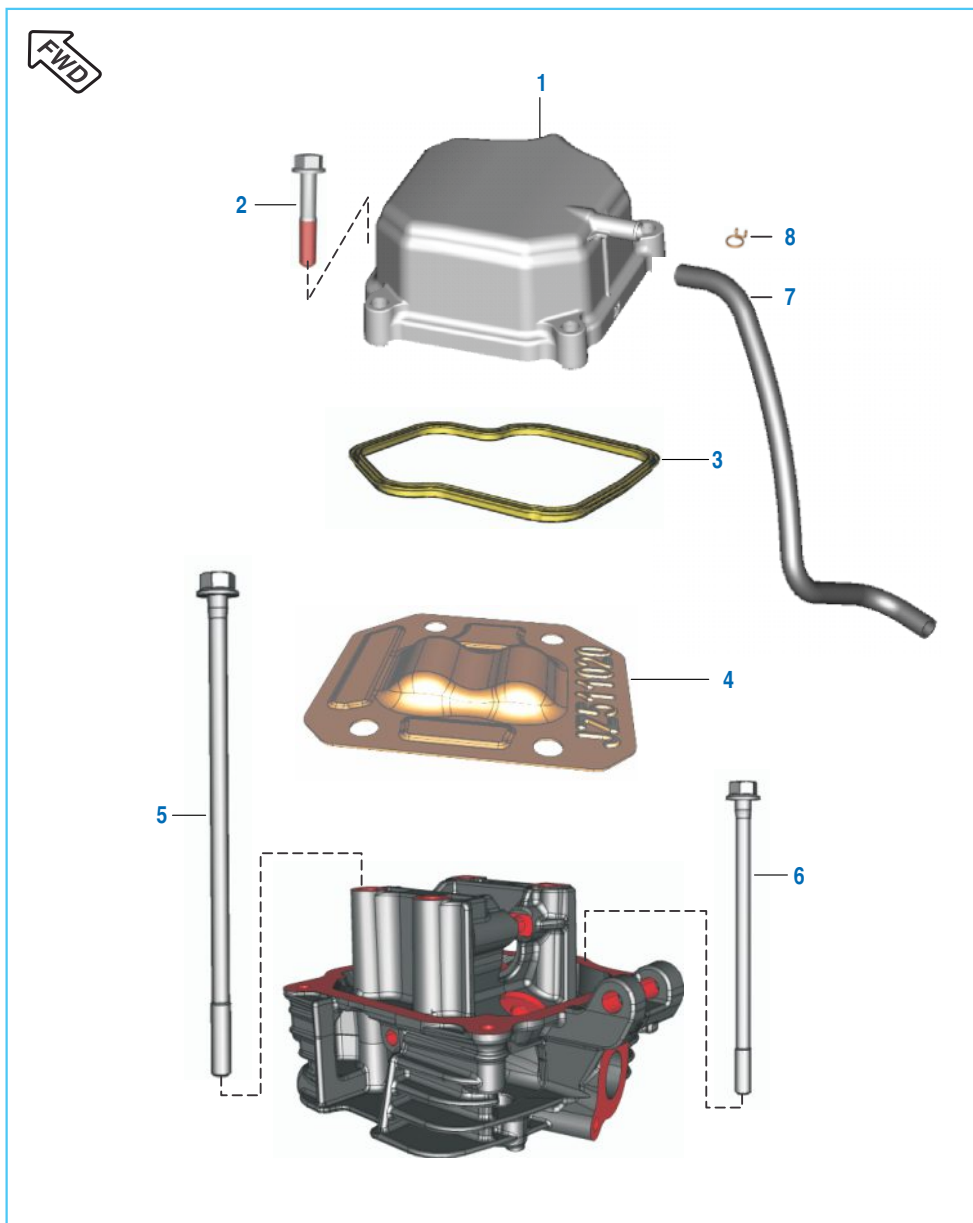
PLATE NO. : 50 TOOL KIT	PAGE NO. 108
	

PLATE NO. : 51 ACCESSORIES / GRAB HANDLE	PAGE NO. 110
	

# Pictorial Index

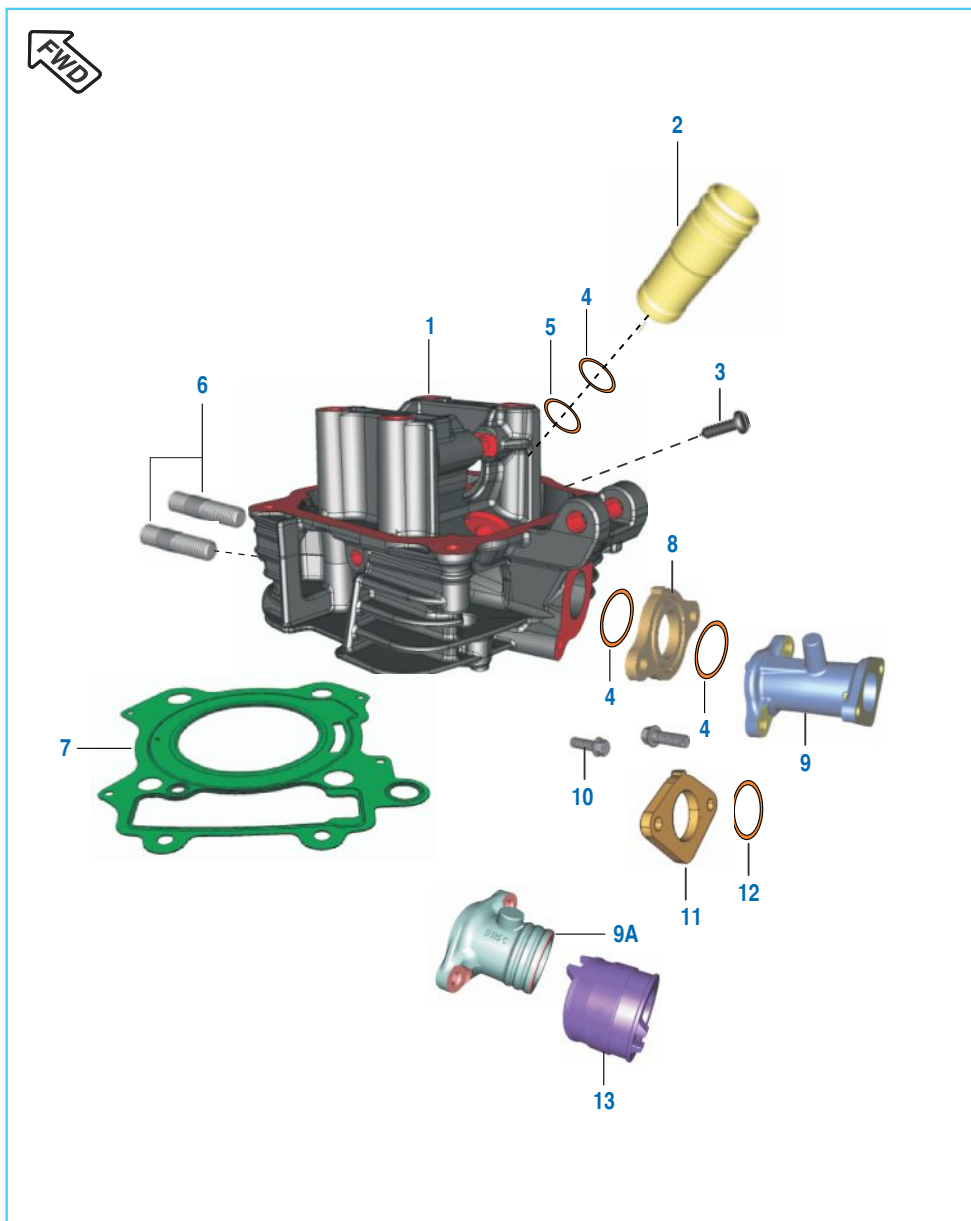
*Discover* 125M/100M


Cover Cylinder Head



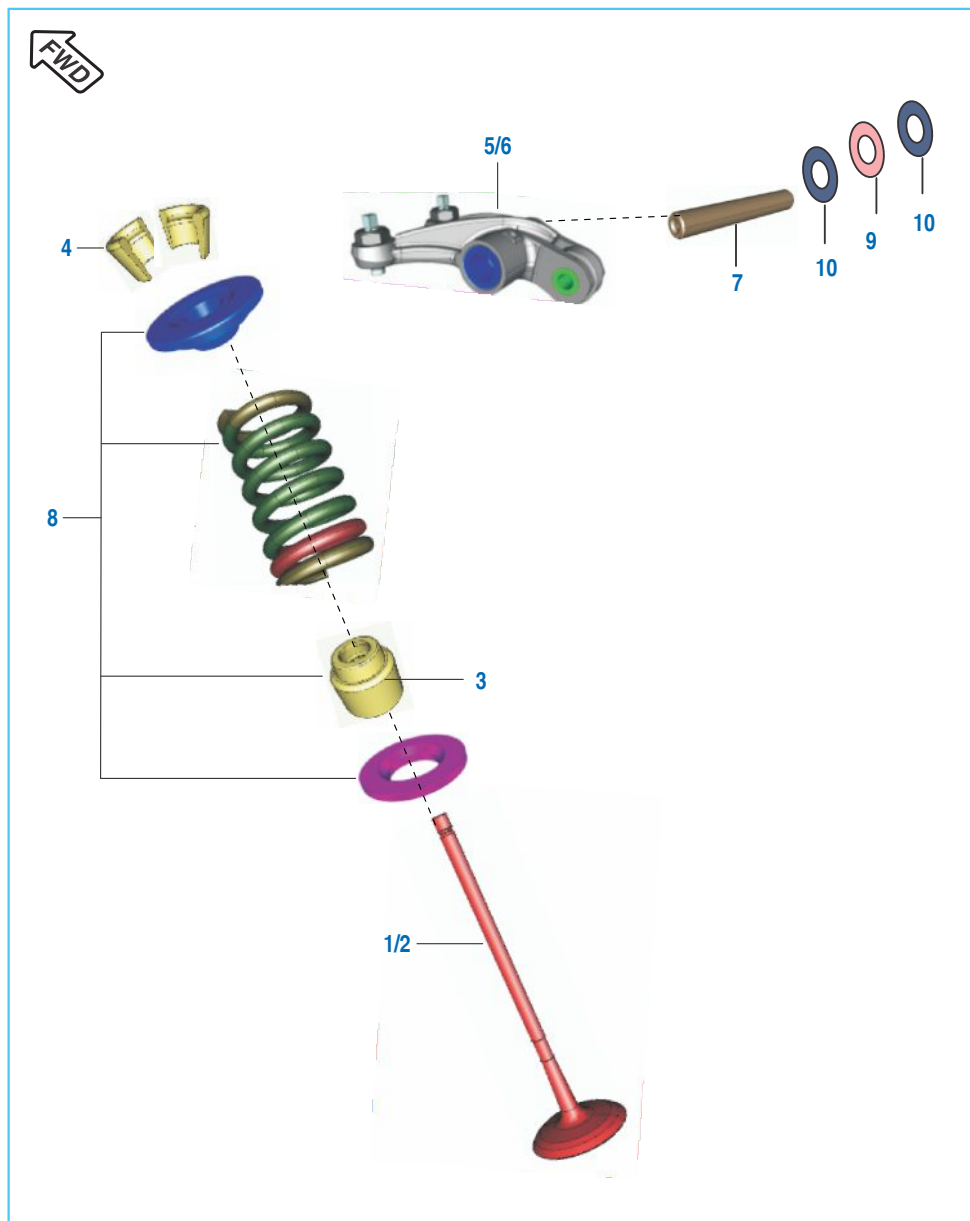
No.	Part No.	Description	Qty.		Remarks
			100M	125M	
1	JZ 5110 21	Cylinder Head Cover Comp	1	1	With Gasket
2	59 0400 38	Bolt	4	4	
3	JD 5110 10	Gasket Head Cover	1	1	
4	PA 5110 39	Plate Cylinder Head	1	1	
5	JA 5110 08	Bolt Head Mounting	4	4	
6	59 0400 50	Flanged Bolt M8X1.25X148L	1	--	
	PF 5110 21	Bolt Head M8*142	--	1	
7	PA 5810 34	Tube Breather	1	1	
8	DG 1210 25	Clamp	2	2	

Cylinder Head



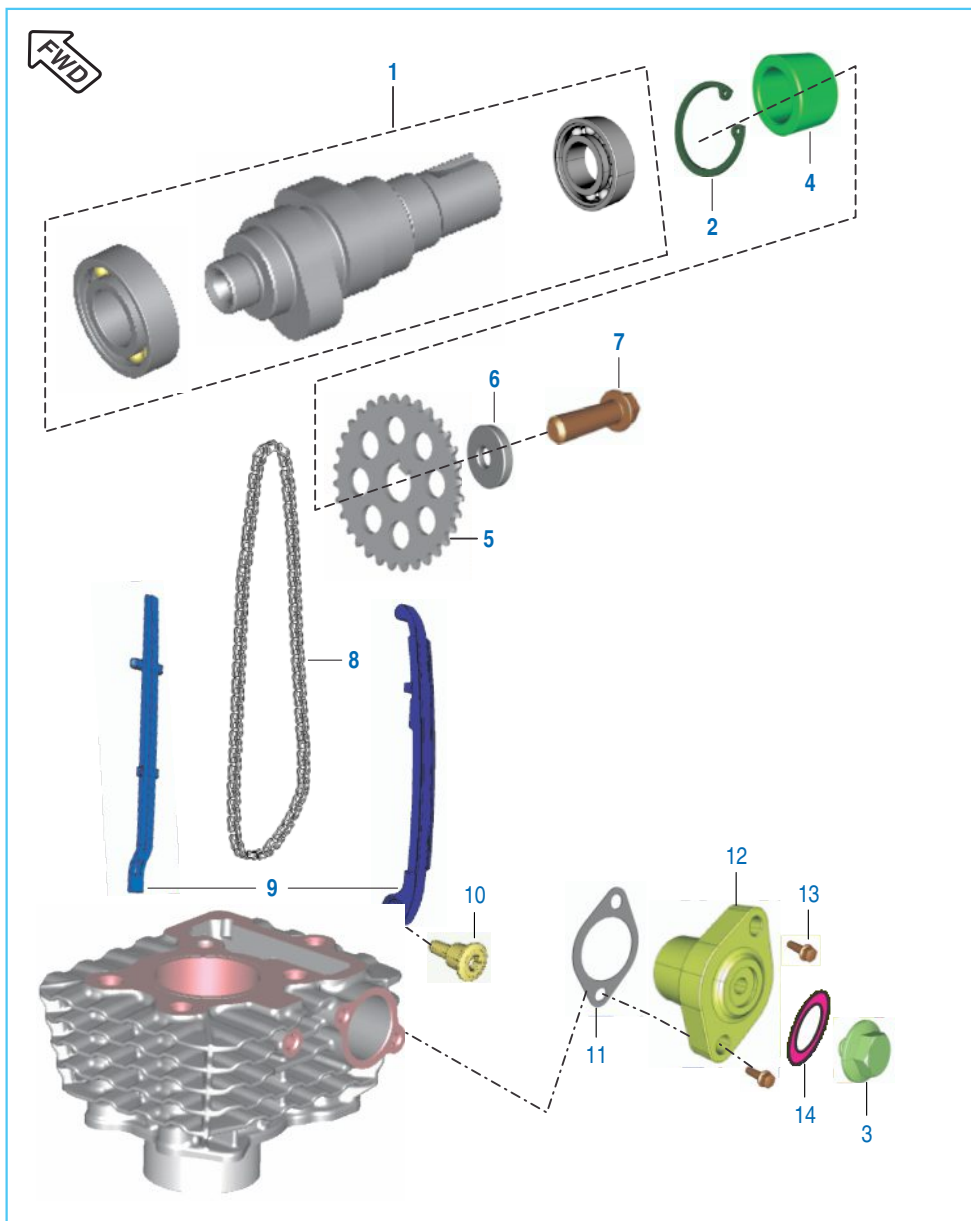
No.	Part No.	Description	Qty.		Remarks
			100M	125M	
1	36 PA00 96	Kit Assly Cylinder Head	1	-	Refer Page No. 111
	36 JZ00 79	Kit Assly Cylinder Head	-	1	Refer Page No. 115
2	JB 5110 18	Sleeve Spark Plug	1	--	
	JD 5110 04	Sleeve Spark Plug	--	1	
3	39 2608 01	Screw - Grub - M5X0.8X7	1	1	
4	39 1283 21	Ring - 'O'	3	3	
	39 2539 21	O-Ring	--	1	
5	39 2629 21	O-Ring	1	1	
6	JA 5110 28	Stud M8X1.25X451	2	2	
7	JB 5110 19	Gasket Cylinder Head	1	--	
	JD 5110 08	Gasket Cylinder Head	--	1	
8	PA 5814 06	Insulator Manifold PTE 20	1	--	
9	PA 5814 07	Manifold Intake	1	--	
9A	PA 5814 09	Manifold Intake	-	1	
10	JA 5814 06	Bolt Flange M6X1X25L	4	2	
11	PA 5812 05	Insulator	1	--	
12	LJ A000 11	O-Ring	1	-	
13	PA 5812 25	Sleeve Carburettor	-	1	
14	AA 1210 71	Clamp Carburettor Duct	-	1	

Valve



No.	Part No.	Description	Qty.		Remarks
			100M	125M	
1	PA 5112 28	Valve Intake	2	--	
2	PA 5112 29	Valve Exhaust	2	--	
	36 JZ01 02	Valve Kit (Intake + Exhaust)	--	2	Refer Page No. 115
3	39 2017 19	Seal - Oil	4	4	
4	DG 1010 29	Collet	8	8	
5	PA 5112 32	Assly Rocker Arm Inlet	1	--	
6	PA 5112 34	Assly Rocker Arm Exhaust	1	--	
	JE 5112 04	Assly Rocker Arm	--	2	
7	JA 5112 11	Shaft Rocker Arm Intake	2	--	
	JD 5112 09	Shaft Rocker Arm Intake	--	2	
8	36 PA01 53	Kit Valve Repair	2	--	Refer Page No. 111
	36 JE00 01	Kit Valve Repair	--	2	Refer Page No. 115
9	DS 1013 66	Wave Washer	2	--	
10	59 1100 02	Plain Washer	4	--	

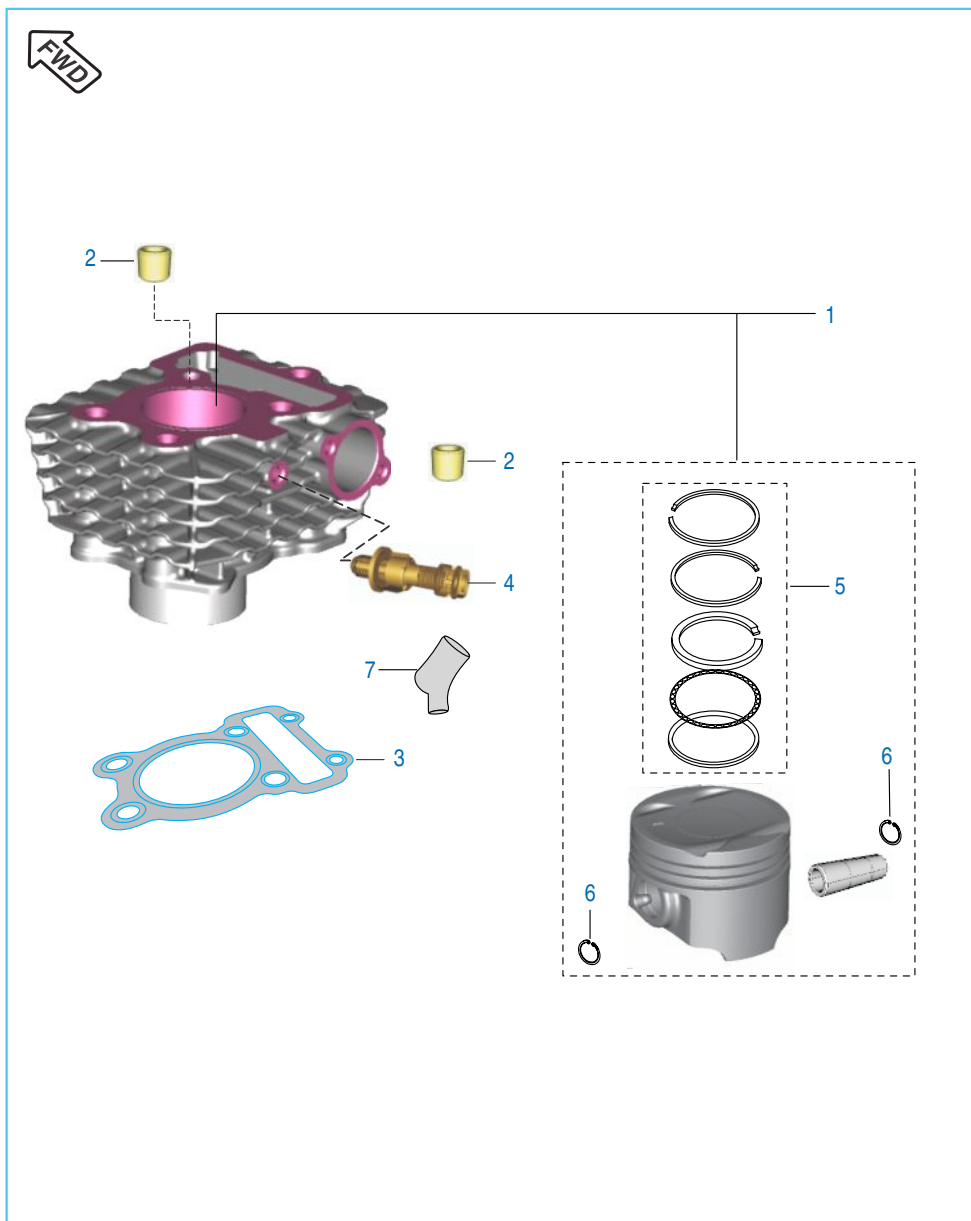
Camshaft / Tensioner



No.	Part No.	Description	Qty.		Remarks
			100M	125M	
1	PA 5112 15	Camshaft Assly	1	--	Refer Page No. 111
	PA 5112 46	Camshaft Assly	--	1	
2	39 0594 17	Circlip - Internal	1	1	
3	JA 5210 18	Bolt Tensioner	1	1	
4	JA 5112 16	Spacer Cam Sprocket	1	1	
5	DS 1012 76	Sprocket - Cam Driven 32 Teeth	1	1	
6	DH 1010 48	Washer- Special: Camshaft	1	1	
7	59 0400 31	Bolt Hex Socket Head Cap	1	1	
8	JE 5112 30	Cam Chain (Straight)	1	1	
9	36 PA01 15	Kit Chain Guide (Straight)	1	1	
10	DH 1013 92	Tensioner Pivot Bolt	1	1	
11	CS 1011 28	Gasket	1	1	
12	JE 5210 16	Chain Tensioner	1	1	
13	JA 5210 19	Bolt	2	2	
14	39 2669 21	Ring - 'O' (ID 10.15X1.5)	1	1	

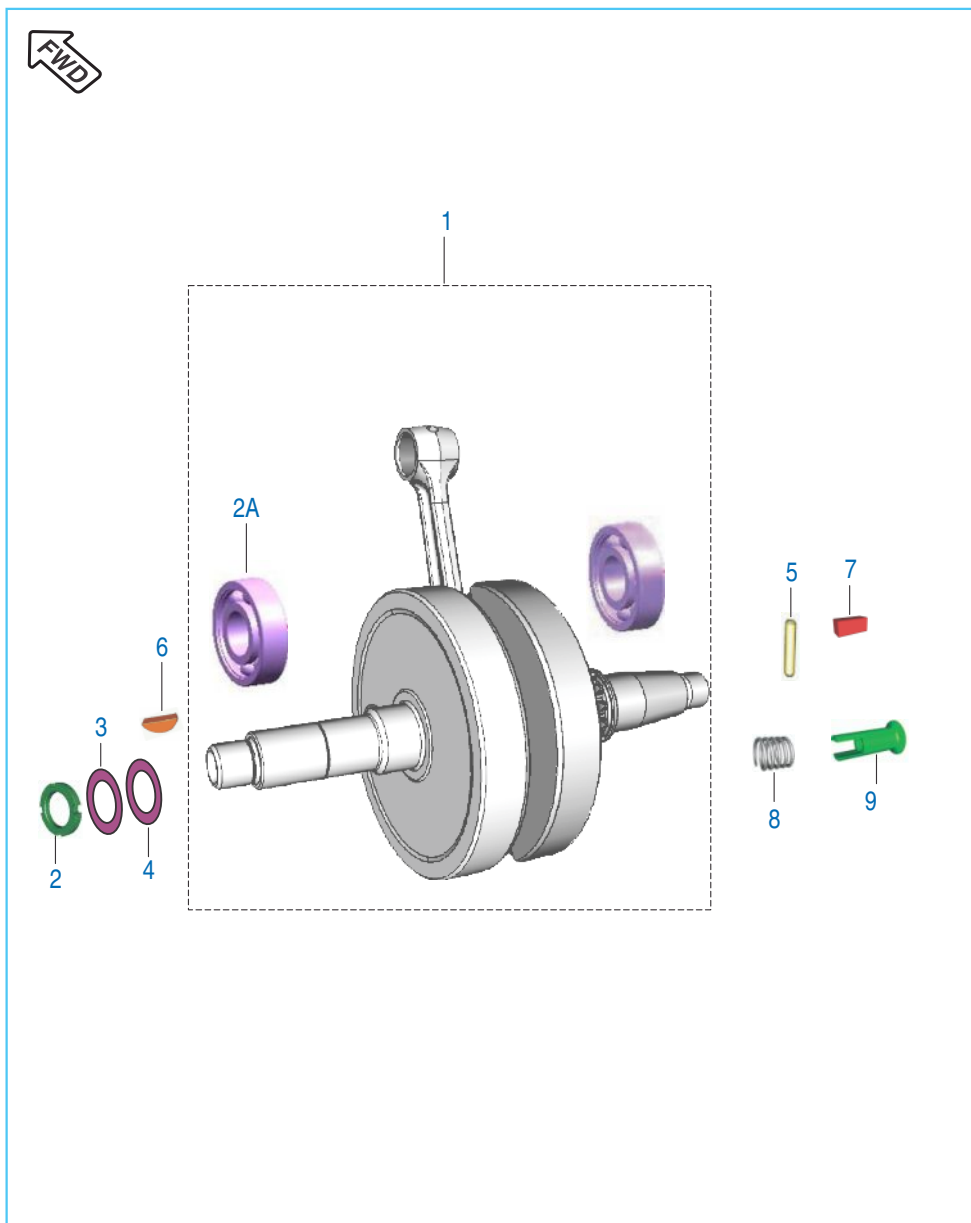


Cylinder and Piston



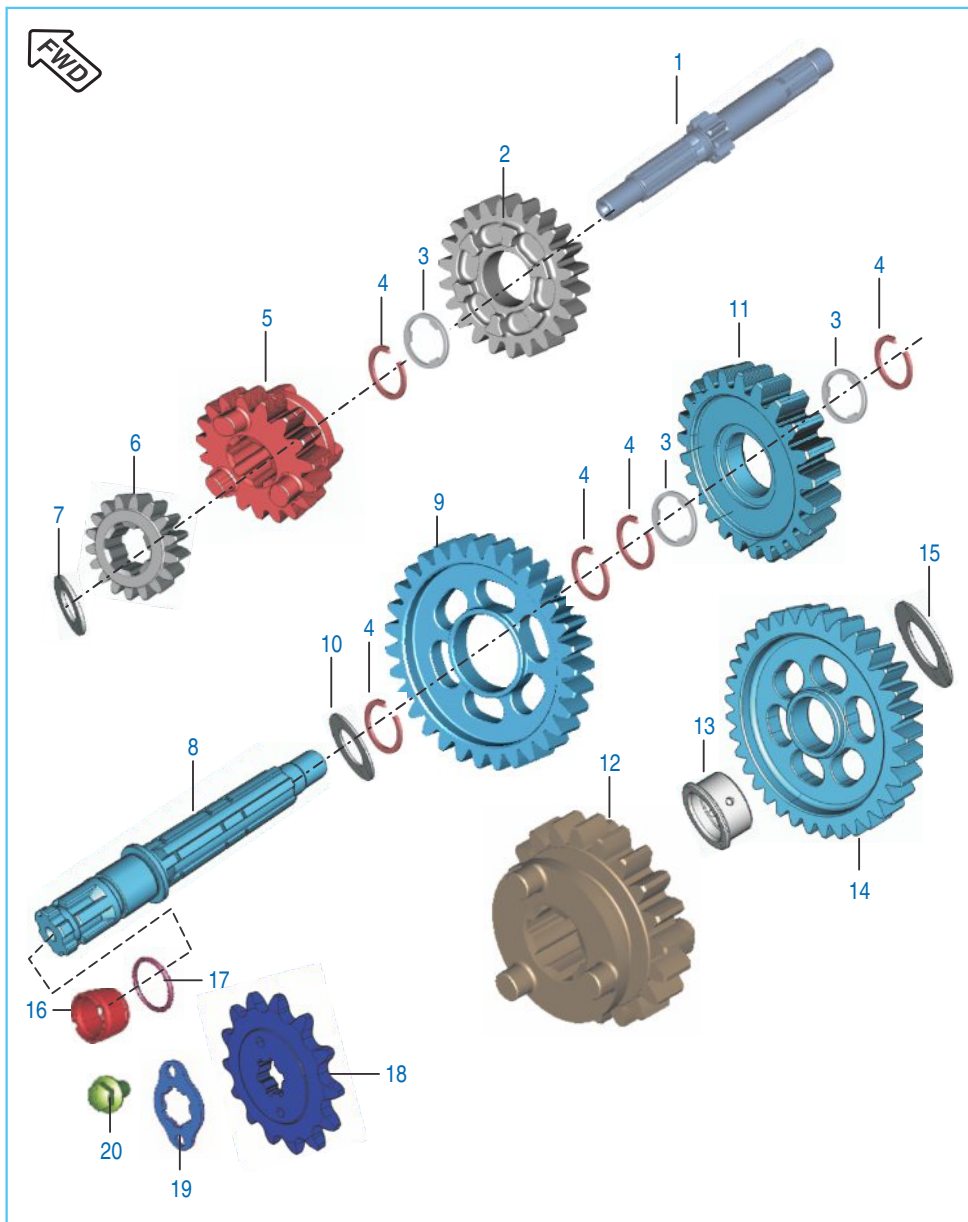
No.	Part No.	Description	Qty.		Remarks
			100M	125M	
1	36 PA00 93	Kit Block Piston	1	--	Refer page no. 111
	36 JZ00 74	Kit Block Piston	--	1	Refer page no. 115
2	39 1000 06	Pin - Hollow Dowel	2	2	
3	JD 5210 02	Gasket Cylinder Block	1	1	
4	JW 3514 00	Thermal Sensor	1	1	
5	36 PA00 03	Kit Piston Ring	1	--	Refer page no. 111
	36 JE00 02	Kit Piston Ring	--	1	Refer page no. 116
6	PA 5212 14	Circlip Piston	2	-	
	DP 1011 65	Pin Snap	--	2	
7	JB 4022 02	Grommet - Thermal sensor	1	1	

Crankshaft



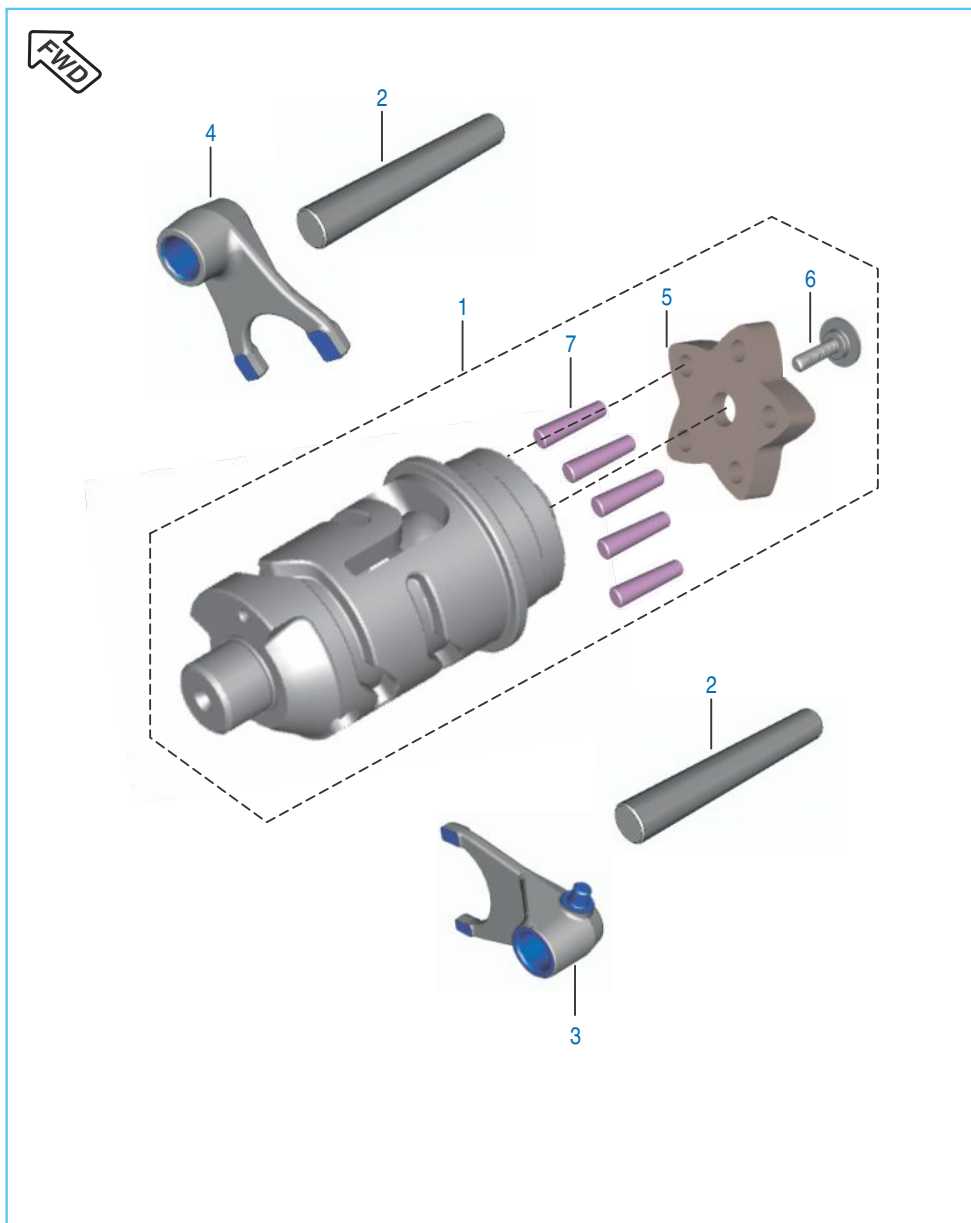
No.	Part No.	Description	Qty.		Remarks
			100M	125M	
1	PA 5310 25	Crankshaft Assembly	1	--	
	PA 5310 29	Crankshaft Assembly	--	1	
2	59 1500 14	Nut Flange	2	2	
2A	39 1864 20	Bearing Ball	2	--	
	JE 5310 01	Bearing Ball	--	2	
3	59 1200 03	Washer Belleville	2	2	
4	59 1100 08	Washer	1	1	
5	JA 5310 15	Pin(C/S Plunger)	1	1	
6	31 1011 73	Key -Woodruff	1	1	
7	DS 1011 54	Key	1	1	
8	JA 5310 12	Spring	1	1	
9	JB 5310 21	Plunger Oil Crankshaft	1	1	

Transmission



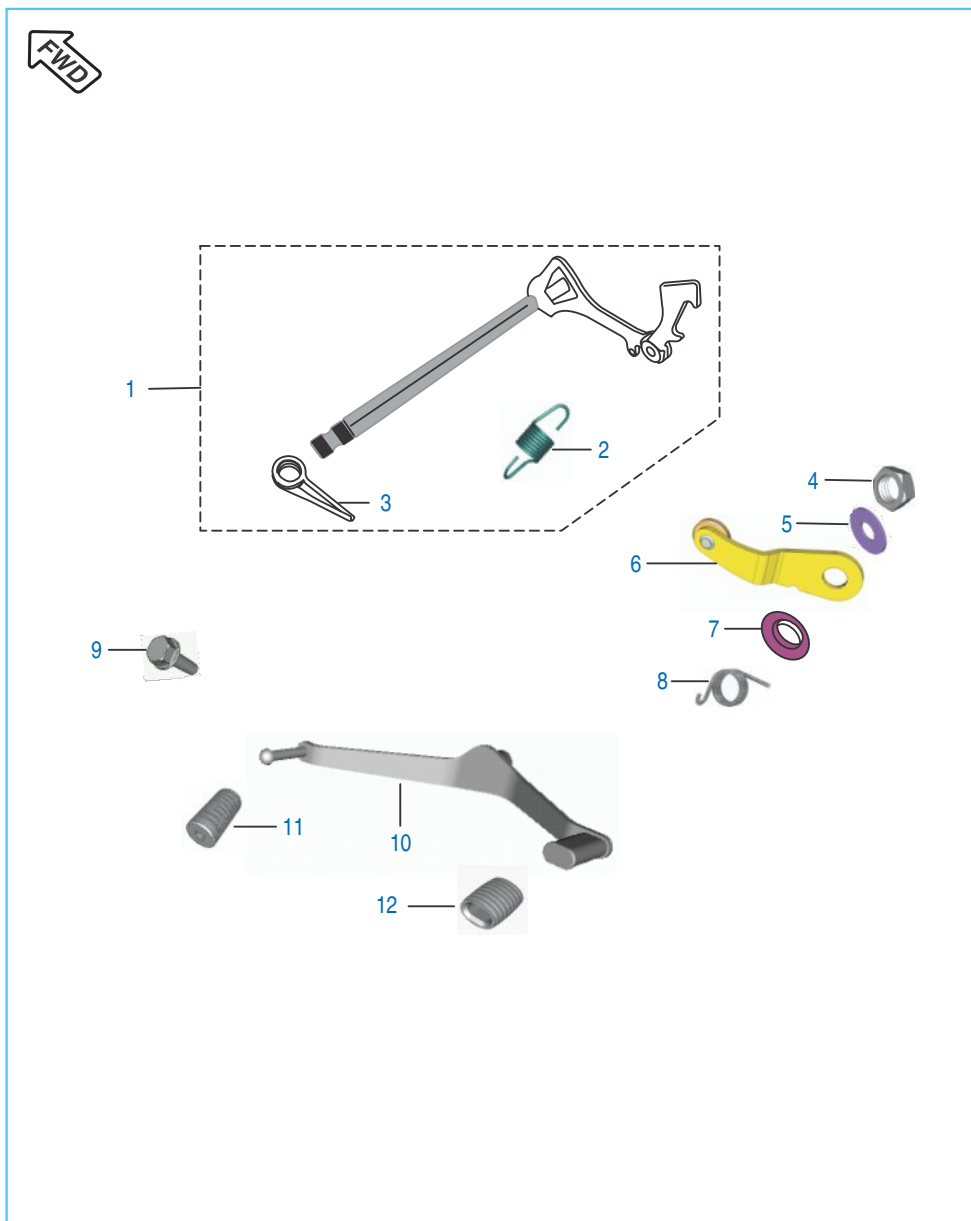
No.	Part No.	Description	Qty.		Remarks
			100M	125M	
1	PA 5510 02	Shaft Input	1	1	
2	PA 5512 07	Gear 4th Drive	1	1	
3	JA 5510 02	Spline Washer	3	3	
4	39 0987 17	Ring - Snap	5	5	
5	PF 5512 01	Gear 3rd Drive	1	1	
6	PF 5512 00	Gear 2nd Drive	1	1	
7	JA 5510 04	Washer Thrust 2nd Drive	1	1	
8	PF 5510 03	Shaft Output	1	1	
9	PF 5512 03	Gear 2nd Driven	1	1	
10	PF 5512 06	Washer Gear 2nd Driven	1	1	
11	PF 5512 04	Gear 3rd Driven	1	1	
12	PA 5512 06	Gear 4th Driven	1	1	
13	JZ 5512 05	Bush 1st Driven	1	1	
14	PA 5512 05	Gear 1st Driven	1	1	
15	JA 5510 08	Washer Thrust	1	1	
16	JA 5510 09	Collar Sprocket Drive	1	1	
17	59 2100 24	'O' Ring	1	1	
18	JB 5510 00	Sprocket Output	1	-	
	JZ 5510 04	Sprocket Output	-	1	
19	DU 1012 13	Plate Lock-sprocket output	1	1	
20	39 1981 04	Bolt Flanged	2	1	

Change Drum / Shift Fork



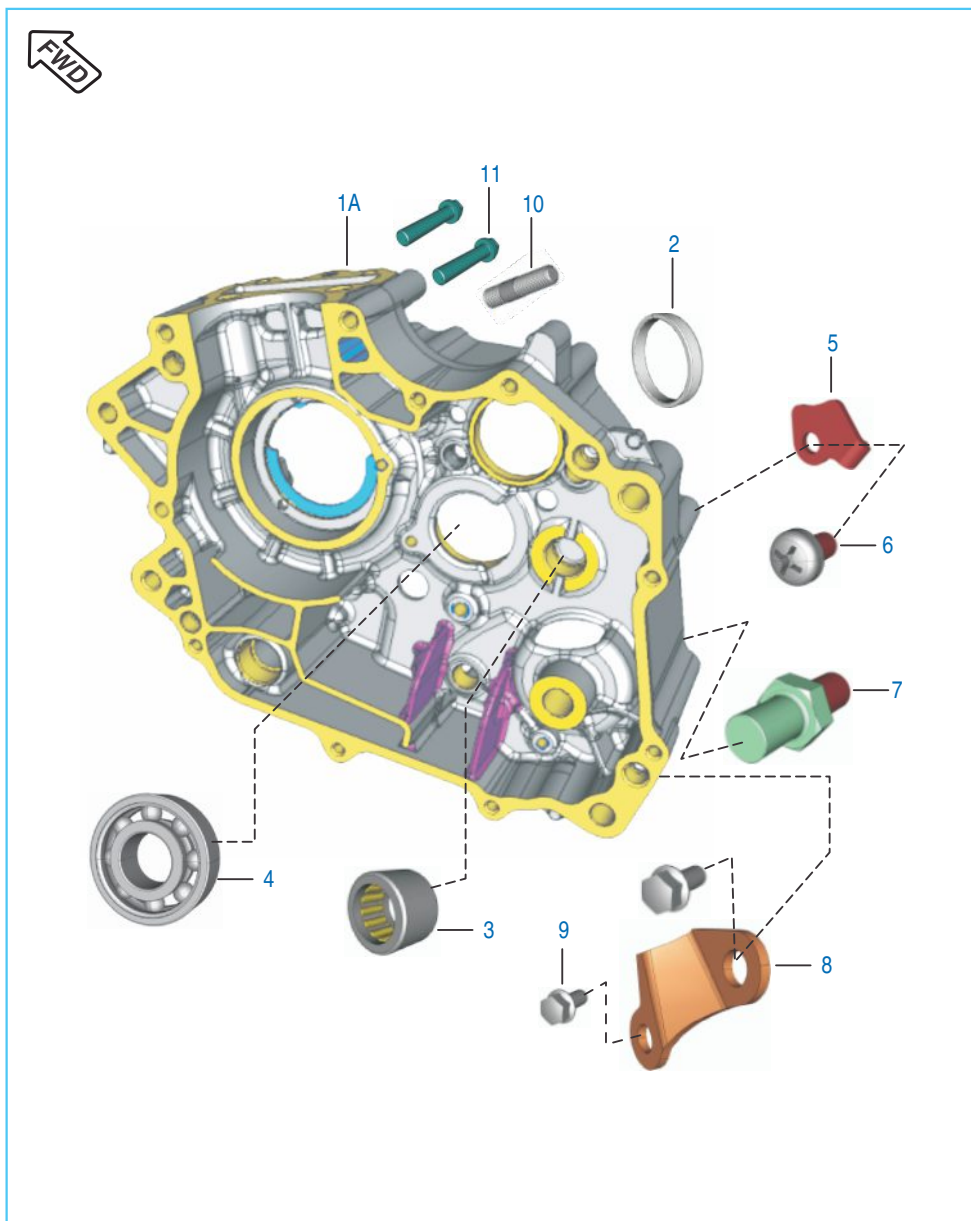
No.	Part No.	Description	Qty.		Remarks
			100M	125M	
1	PA 5610 05	Assly Drum Gear Shift	1	1	
2	PF 5610 02	Shaft Gear Fork Shift	2	2	
3	JD 5610 04	Fork Gear Shift Output	2	2	
4	JZ 5610 02	Fork Input Disco-H	1	1	
5	JA 5610 02	Cam Drum Change	1	1	
6	JD 5610 11	Special bolt	1	1	
7	39 0992 06	Dowl	5	5	

Gear Change Mechanism



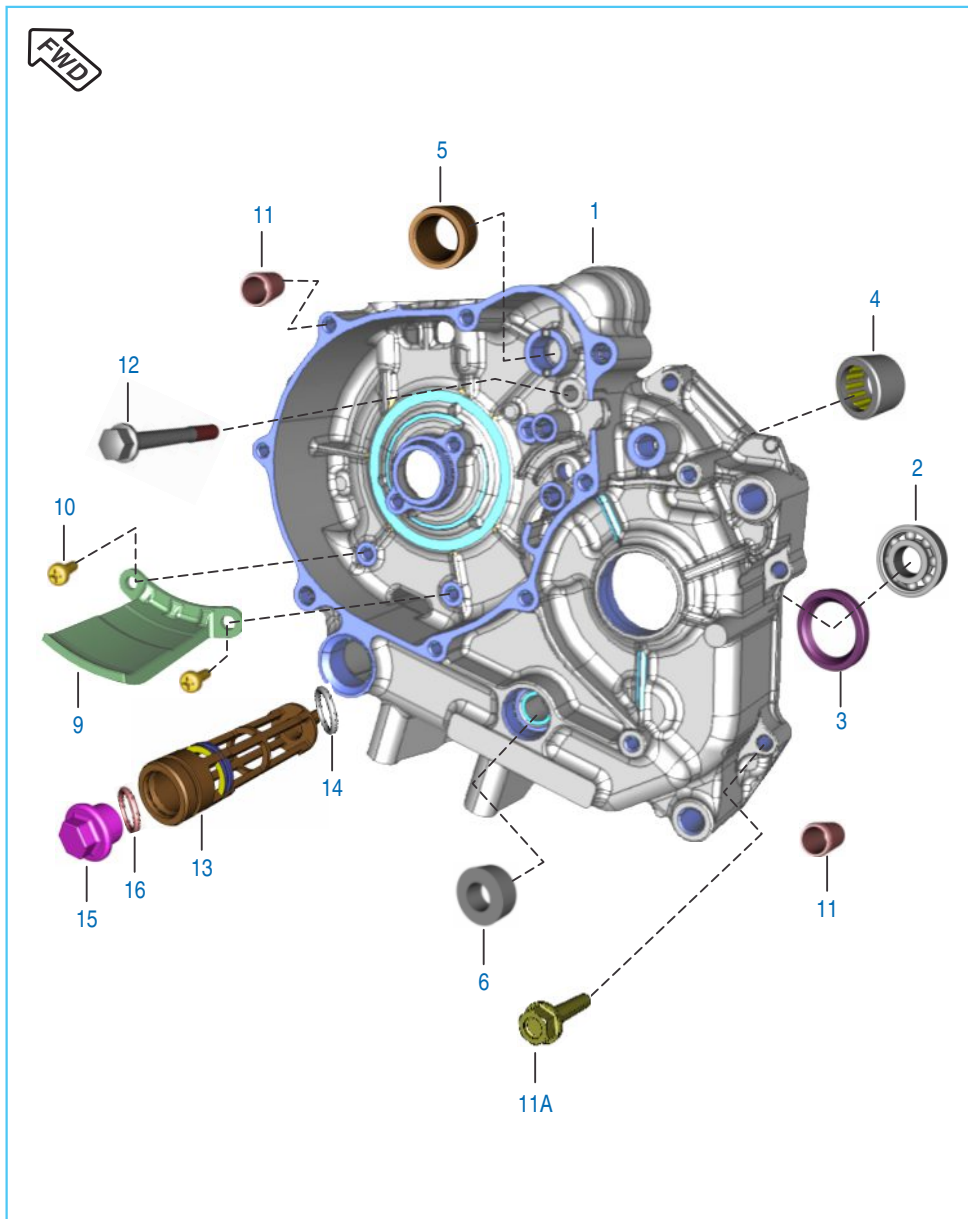
No.	Part No.	Description	Qty.		Remarks
			100M	125M	
1	PF 5612 00	Lever Comp Gear Shift	1	1	
2	JW 5612 06	Extension Spring	1	1	
3	JW 5612 08	Spring Gear Shift Return	1	1	
4	39 0817 15	Nut - Hexagon	1	1	
5	39 2704 11	Washer (Spring Steel)	1	1	
6	JA 5612 07	Inhibitor Comp. Gear Shift	1	1	
7	JA 5612 09	Step Washer	1	--	
	PA 5612 07	Step Washer	--	1	
8	JA 5612 08	Spring (Inhibitor)	1	1	
9	39 2453 04	Bolt - Flange : M6	1	1	
10	PA 5614 02	Gear Shift Lever	1	1	Without Damper
11	DH 1015 09	Damper	1	1	
12	DG 1013 39	Damper	1	1	

Engine Assembly / Crankcase RH



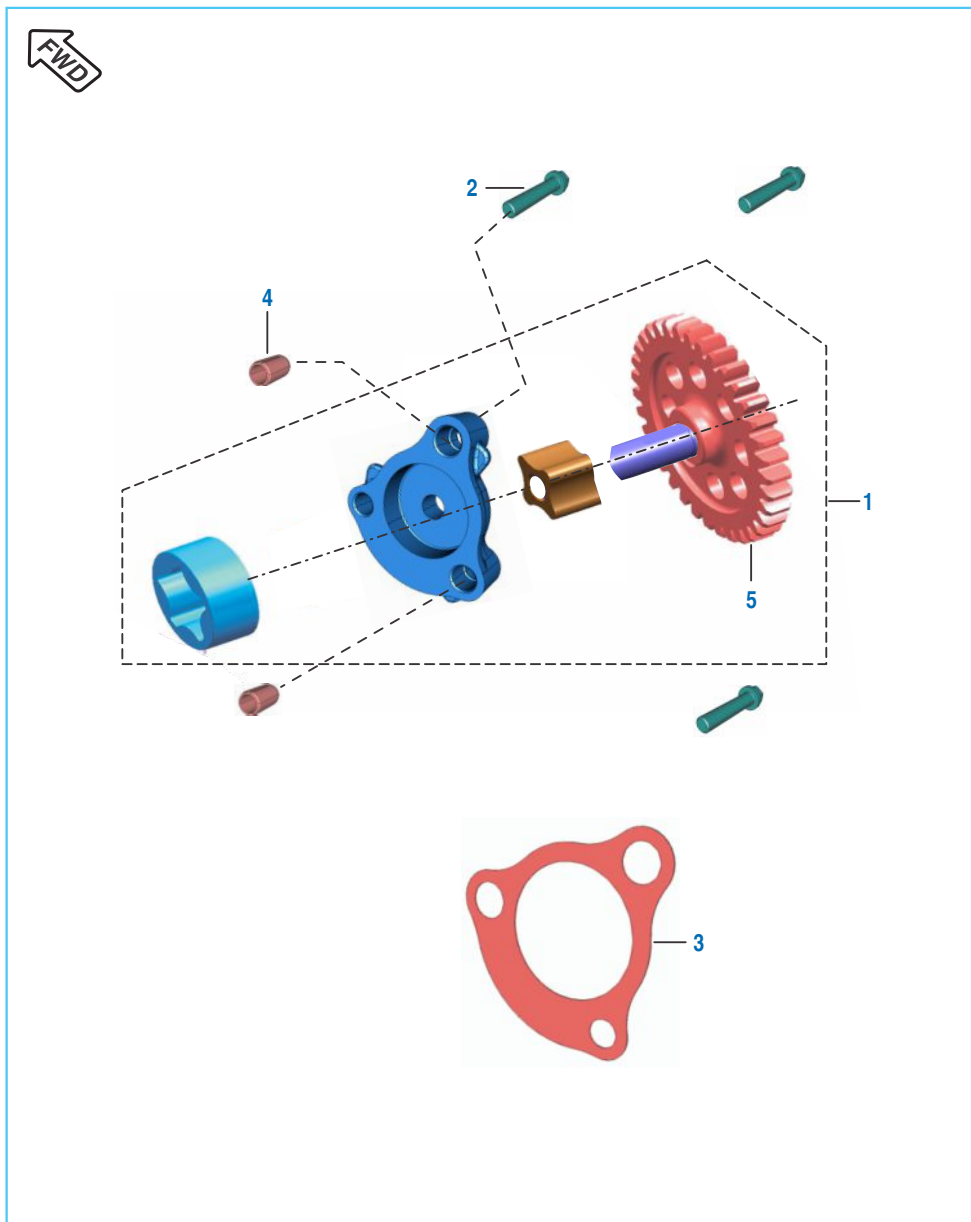
No.	Part No.	Description	Qty.		Remarks
			100M	125M	
1	PA 5010 19	Engine Assly	1	--	
	PA 5010 11	Engine Assly	--	1	
1A	36 PA01 45	Assly C'Case RH	1	--	Ref. Page No. 112
	PA 5410 26	Assly C'Case RH	--	1	Ref. Page No. 117
2	PF 5410 18	Bushing Drum	1	1	
3	JA 5410 11	Needle Roller Bearing	1	1	HK1212
4	59 2000 36	Bearing - Ball 6203 HN3 C3	1	1	
5	JA 5410 10	Stopper plate input bearing	1	1	
6	DH 1013 80	Screw - Pan Pre-coated	1	1	(M6X12)-39
7	JA 5410 14	Bolt Shift Change	1	1	
8	JA 5410 12	Guide Kick	1	1	
9	39 1964 04	Bolt Flange	2	2	
10	52 JA00 27	Stud (JA541015) Pre-coated	1	1	
11	JA 5412 35	Bolt	2	2	

Crankcase LH



No.	Part No.	Description	Qty.		Remarks
			100M	125M	
1	36 PA01 46	Assly C' Case LH	1	--	Refer Page No. 114
	36 JZ00 77	Kit Assly C' Case LH	--	1	Refer Page No. 117
2	59 2000 36	Ball Bearing	1	1	
3	39 1715 19	Seal - Oil	1	1	
4	39 2562 20	Bearing - Needle Roller	1	1	13X19X12
5	JA 5410 05	Bush Bendix	1	1	
6	39 2190 19	Seal - Oil	1	1	
7	31 2010 81	Switch - Neutral	1	1	N.I.
8	DH 1012 64	Neutral Switch AL Washer	1	1	N.I.
9	JA 5410 34	Stopper Gear Starter-	1	1	
10	39 0747 01	Screw Pan Cross - M6	1	1	
11	39 0999 06	Pin - Hollow Dowel	4	4	
11A	59 0400 38	Bolt Flange	6	6	
12	39 1759 04	Bolt - M6 X 55	1	1	
13	JG 5710 24	Mesh Oil Filter Assy_G2	1	1	With 'O' ring
14	LJ A000 04	'O' ring-Strainer	1	1	
15	JA 5410 21	Cap Strainer	1	1	
16	59 2100 23	'O' ring Cap Strainer	1	1	
17	JD 5410 00	Damper	-	1	N.I.

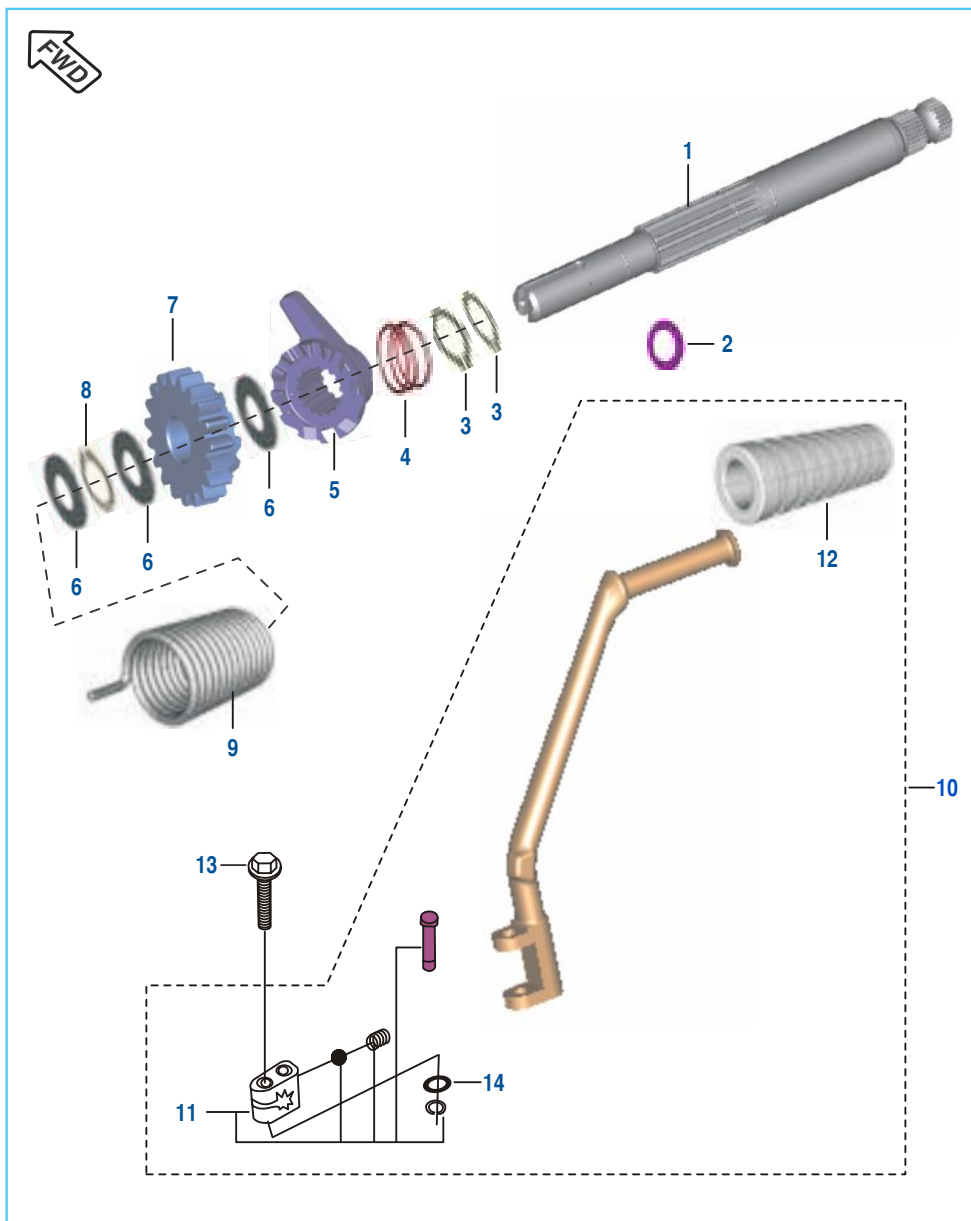
Oil Pump



No.	Part No.	Description	Qty.		Remarks
			100M	125M	
1	JB 5710 05	Assembly Oil Pump	1	--	
	JB 5710 00	Assembly Oil Pump	1	--	Ref. Ser. Cir. A-24
	JZ 5710 00	Assembly Oil Pump	--	1	
2	FD 1010 78	Screw Pan Cross :	3	3	Pre-Coated
3	JA 5410 16	Gasket Case Oil Pump	1	1	
4	39 0999 06	Pin Dowel	2	2	
5	JB 5710 06	Gear Oil Pump Driven	1	-	
	JZ 5710 01	Gear Oil Pump Driven	--	1	

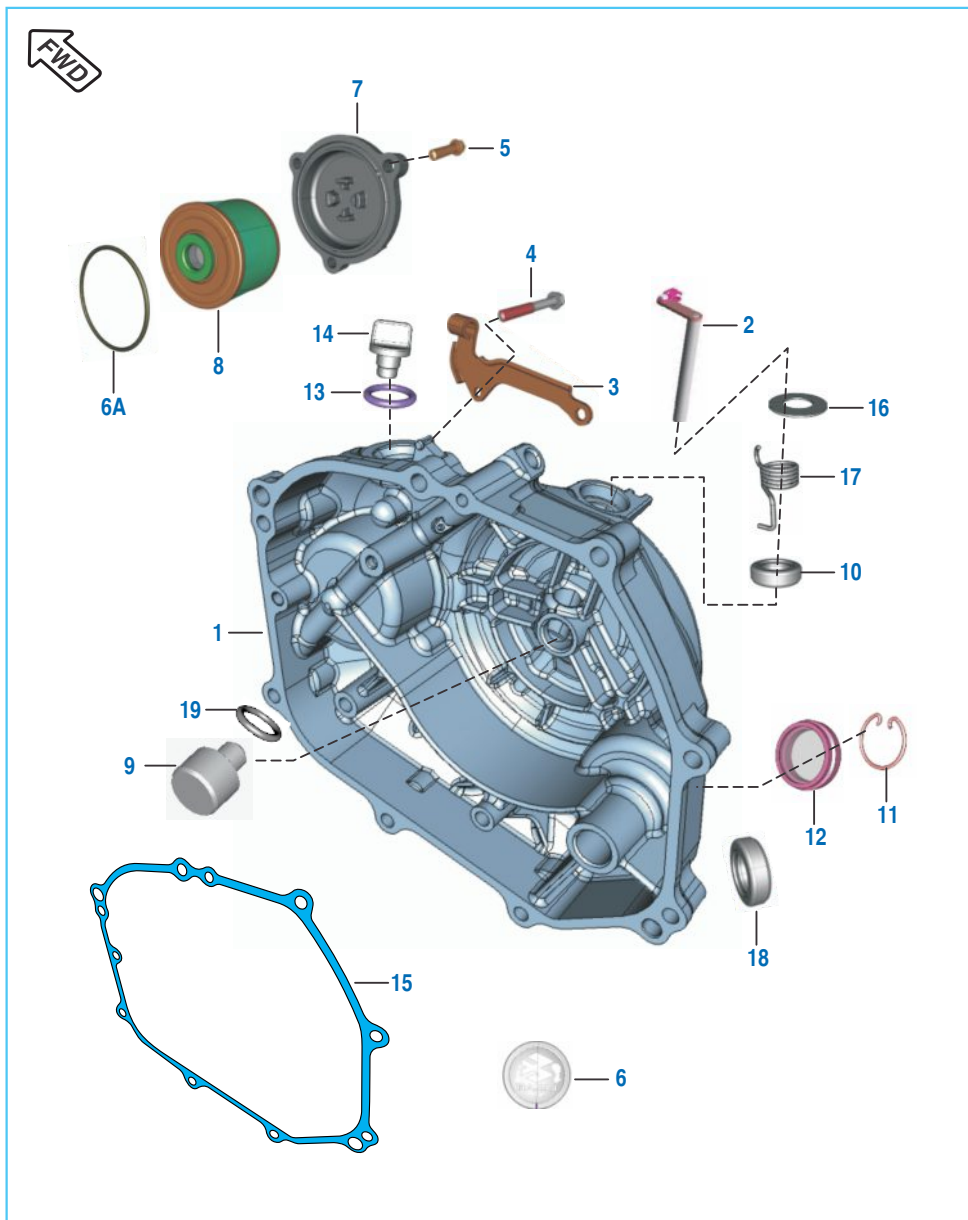


Kick Starter Mechanism



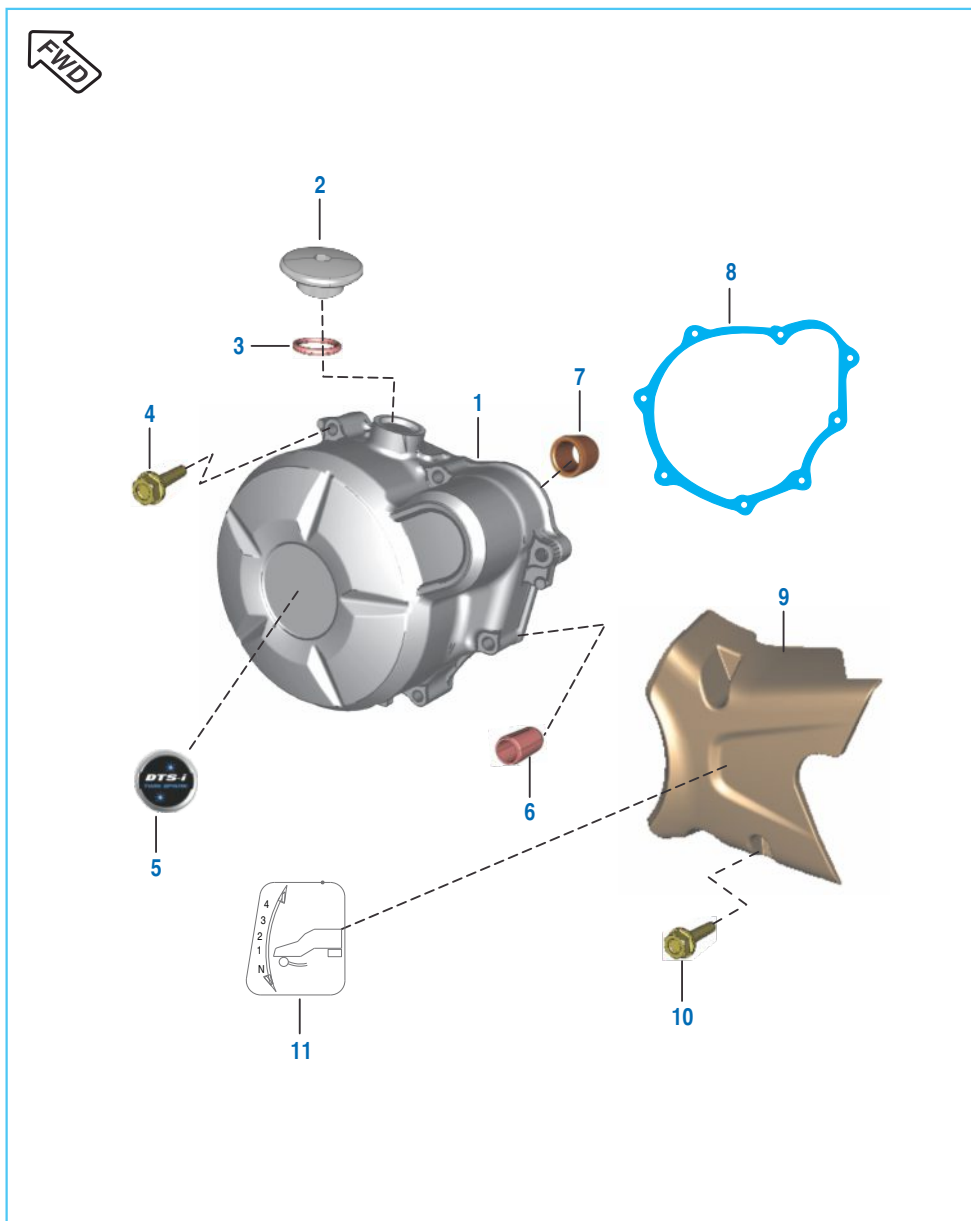
No.	Part No.	Description	Qty.		Remarks
			100M	125M	
1	JA 6210 01	Kick Shaft	1	1	
2	JA 6210 06	Washer Thrust	1	1	
3	39 0738 17	Circlip	2	2	
4	DS 1011 17	Spring Kick Starter Ratchet	1	1	
5	JA 6210 02	Ratchet	1	1	
6	39 0993 11	Washer Plain	3	3	
7	PA 6210 05	Assly Gear Starter Pinion	1	1	
8	39 2408 17	External Circlip	1	1	
9	JE 5410 08	Spring Kick Return	1	1	
10	JA 6212 01	Assembly Kick Lever	1	1	
11	36 DU10 07	Kit Boss Kick Lever	1	1	Refer Page No. 112
12	DD 1010 97	Damper	1	1	
13	JA 6212 06	Bolt	1	1	
14	22 1502 41	Plain Washer	1	1	

Cover Clutch



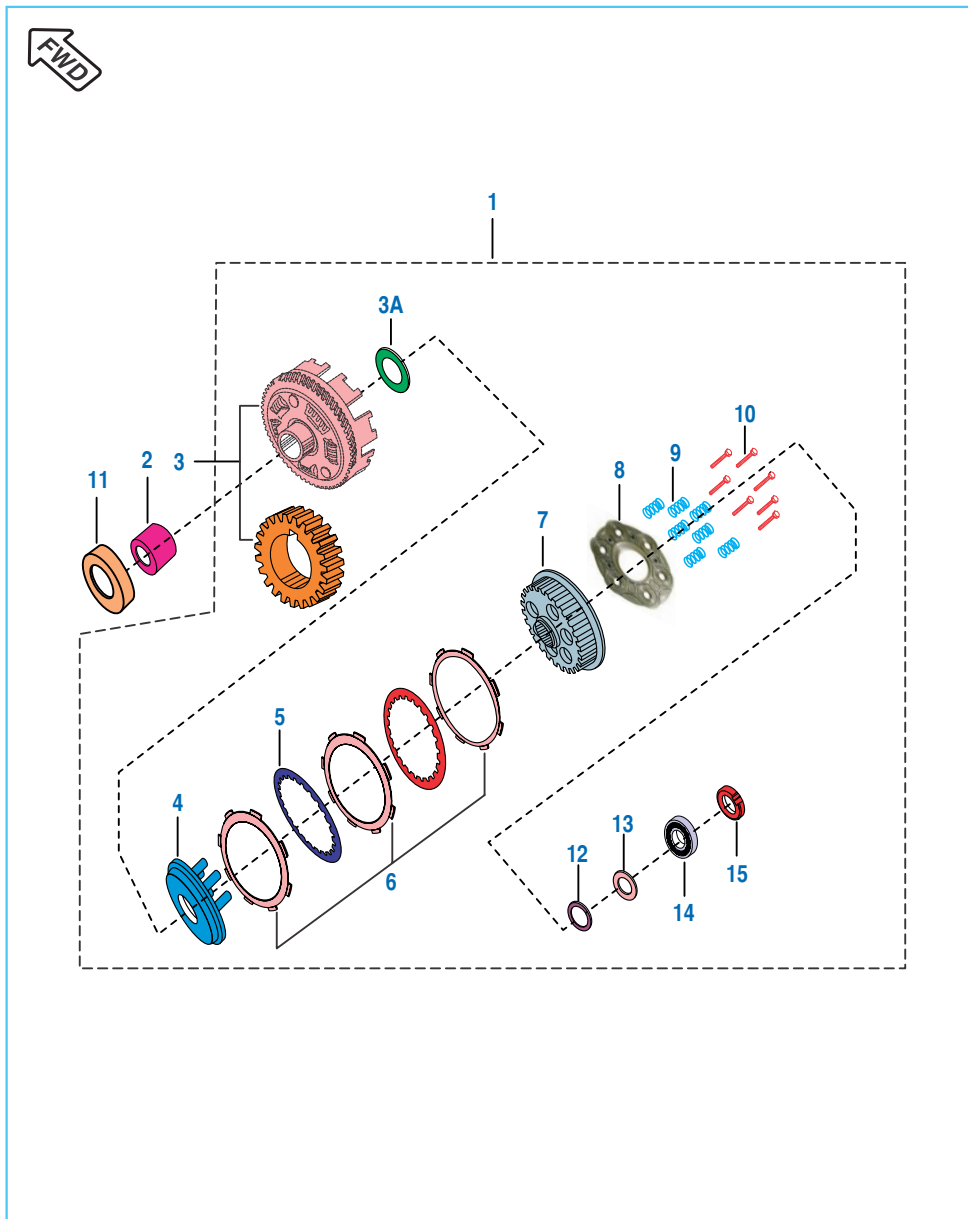
No.	Part No.	Description	Qty.		Remarks
			100M	125M	
1	36 PA00 99	Kit Assly Clutch Cover	1	--	Refer Page No. 111
	36 JZ00 75	Kit Assly Clutch Cover	--	1	Refer Page No. 116
2	JW 5410 05	Shaft Clutch Release Assly	1	1	
3	PA 5412 24	Bracket Clutch Cable	1	--	Alternate
	JW 5410 00	Bracket Clutch Cable	1	1	
4	59 0400 38	Bolt - Flange : M5	8	8	
5	JA 5210 19	Bolt	3	3	
6	JE 5412 31	Decal Clutch Cover	1	1	
6A	39 1671 21	Ring - 'O'	1	1	
7	JZ 5412 14	Cap Filter	1	1	
8	DD 1211 81	Element Oil Filter	1	1	
9	PA 5514 05	Rod-Push	1	1	
10	39 1041 19	Seal - Oil	1	1	
11	DS 1012 15	Clip - Wire	1	1	
12	DG 1014 18	Gauge	1	1	
13	JA 5412 25	O Ring Cap Oil Filler	1	1	
14	JA 5412 11	Cap Oil Filler	1	1	
15	JA 5412 12	Gasket Clutch Cover	1	1	
16	JA 5412 36	Plain Washer (12.5X24X0.8)	1	1	
17	JA 5412 37	Spring Torsion Cl. Cover	1	1	
18	30 1011 42	Seal - Oil (Kick Shaft)	1	1	
19	39 1561 21	Ring 'O'	1	1	

Cover Magneto



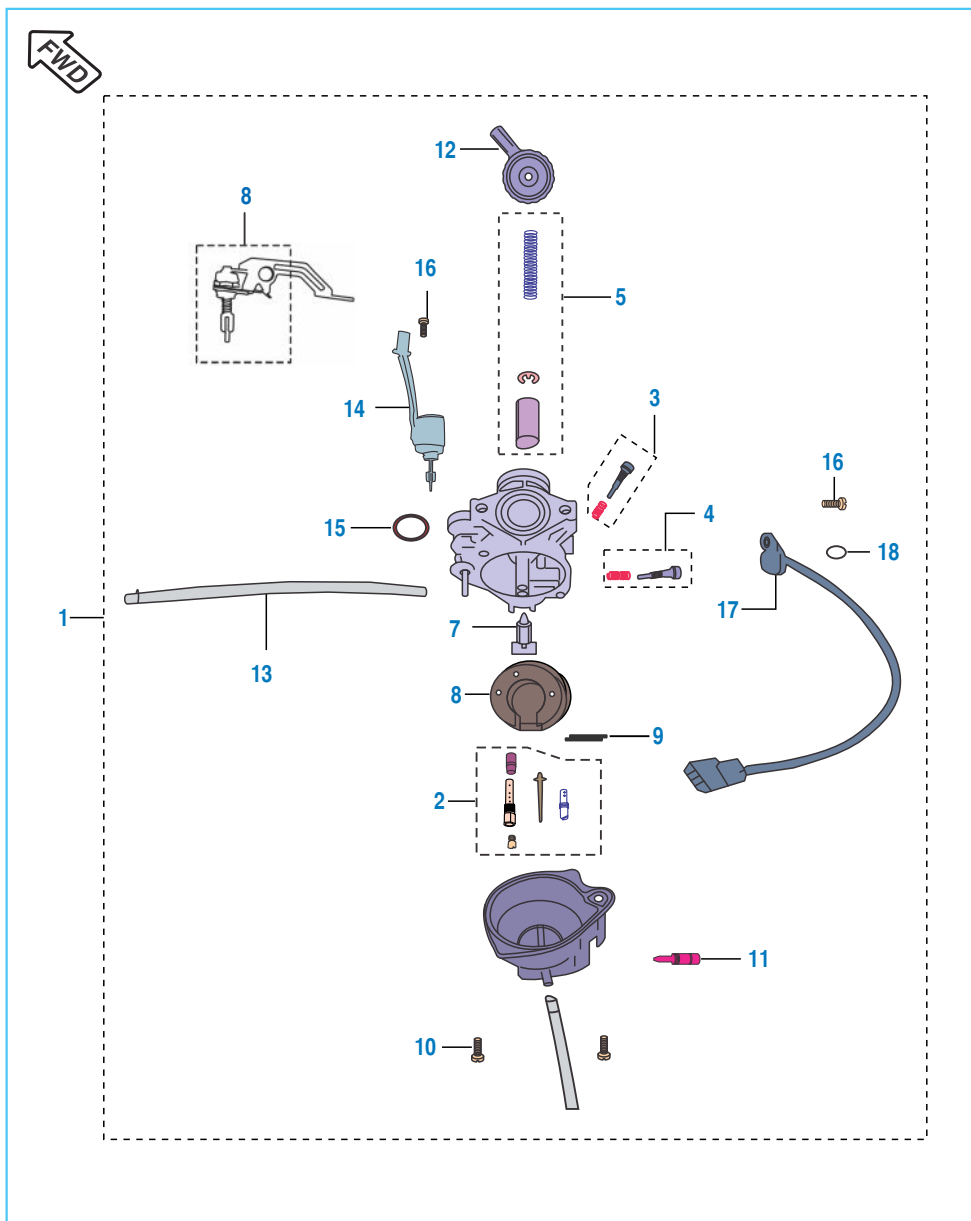
No.	Part No.	Description	Qty.		Remarks
			100M	125M	
1	JE 5412 33	Assly Cover Magneto	1	1	Refer page no. 112
2	JA 5412 33	Cap TDC finder	1	1	
3	30 1011 95	'O' ring	1	1	
4	JA 5410 44	Bolt - Flanged : Small	8	8	
5	JE 5412 30	Label Mag Cover	1	1	
6	39 0999 06	Dowl	2	2	
7	JA 5410 05	Bush Bendix	1	1	
8	JA 5412 05	Gasket Magneto Cover	1	1	
9	PA 5412 17	Cover RR assly	1	1	With GearShift Label
10	59 0400 38	Flange bolt	2	2	
11	PA 5412 13	Gear Shift Label	1	1	

Clutch Assly



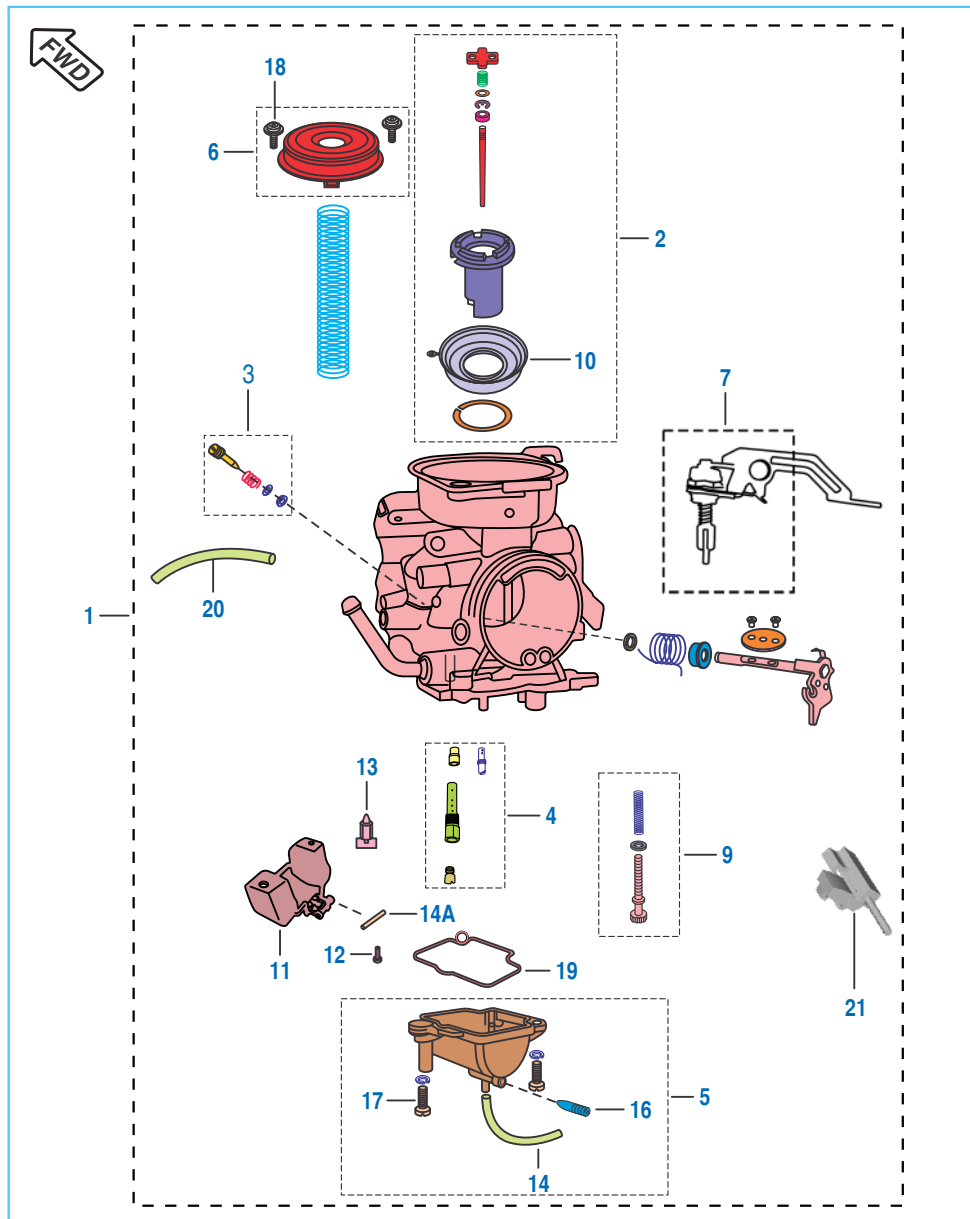
No.	Part No.	Description	Qty.		Remarks
			100M	125M	
1	PA 5514 04	Assembly Clutch	1	--	Ref. Ser. Cir. A-24
	JB 5514 10	Assembly Clutch	1	--	
	JZ 5514 13	Assembly Clutch	--	1	
2	JA 5514 06	Collar Clutch	1	1	Refer Page No. 111
	36 JZ00 23	Kit Primary Drive & Driven	1	1	
3	36 PA00 06	Kit Primary Drive & Driven	1	--	Ref. Ser. Cir. A-24
	39 2600 11	Washer - Plain	1	1	
4	JB 5514 08	Wheel Clutch	1	1	Refer Page No. 111
5	30 1010 96	Plate Clutch	4	4	
6	36 JE00 24	Kit Friction Plate	1	1	Refer Page No. 111
7	JB 5514 11	Hub Clutch	1	1	
8	JB 5514 12	Clutch Holder	1	1	Refer Page No. 111
	28 1012 14	Compression Spring	6	--	
9	JZ 5514 15	Compression Spring	--	6	Refer Page No. 111
	39 0980 04	Flange Bolt	6	6	
11	JD 5514 00	Spacer Clutch Assembly	1	1	Refer Page No. 111
12	JA 5514 20	Washer Plain	1	1	
13	JE 5514 09	Washer Belleville	1	1	Refer Page No. 111
14	39 1001 20	Bearing - Ball	1	1	
15	JA 5310 07	Nut Crankshaft M14	1	1	Refer Page No. 111

Carburetor Assembly (100 M)



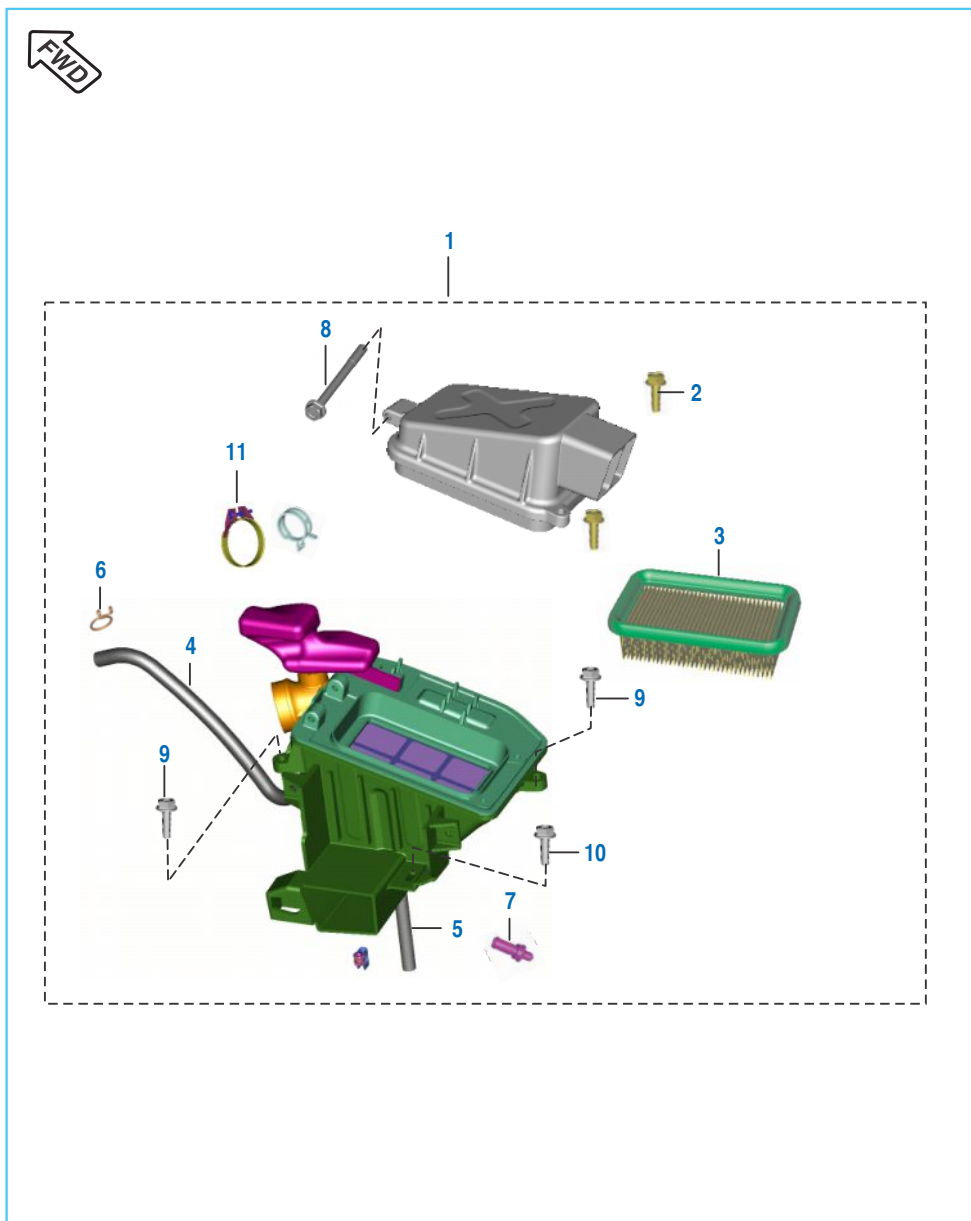
No.	Part No.	Description	Qty.		Remarks
			100M	125M	
1	PA 5812 28	Assly Carburetor Auto Choke	1	-	
	PA 5812 29	Assly Carburetor Manual Choke	1	-	Refer Ser. Cir. A-28
2	36 PA01 25	Kit Carb Jet	1	-	Refer Page No. 113
3	36 PA01 26	Kit Carb Air Screw / Slow Jet	1	-	Refer Page No. 113
4	36 PA01 06	Kit Carb Idling Screw	1	-	Refer Page No. 113
5	36 PA01 27	Kit Carb Throttle Valve	1	-	Refer Page No. 113
6	36 PA01 08	Kit O Ring & Gasket	1	-	Refer Page No. 113
7	JB 5812 29	Valve Comp Float	1	-	
8	JB 5812 30	Float	1	-	
9	JB 5812 56	Arm Pin Float	1	-	
10	JB 5812 32	Screw Float Chamber	2	-	
11	JB 5812 60	Drain Screw	1	-	
12	JB 5812 37	Adjuster Cable	1	-	
13	JB 5812 58	Tube Air Vent	1	-	
14	PA 5812 22	Solenoid Assembly	1	-	
14A	PF 5813 09	Lever Complete Starter	1	--	Refer Ser. Cir. A-28
15	JB 5812 47	O-Ring Solenoid	1	-	
16	JB 5812 48	Screw - Washer	1	-	(TPS & Solenoid)
17	JB 5812 02	Sensor Throttle Position	1	-	
18	JB 5812 04	O-Ring TPS	1	-	

Carburetor Assembly (125 M)



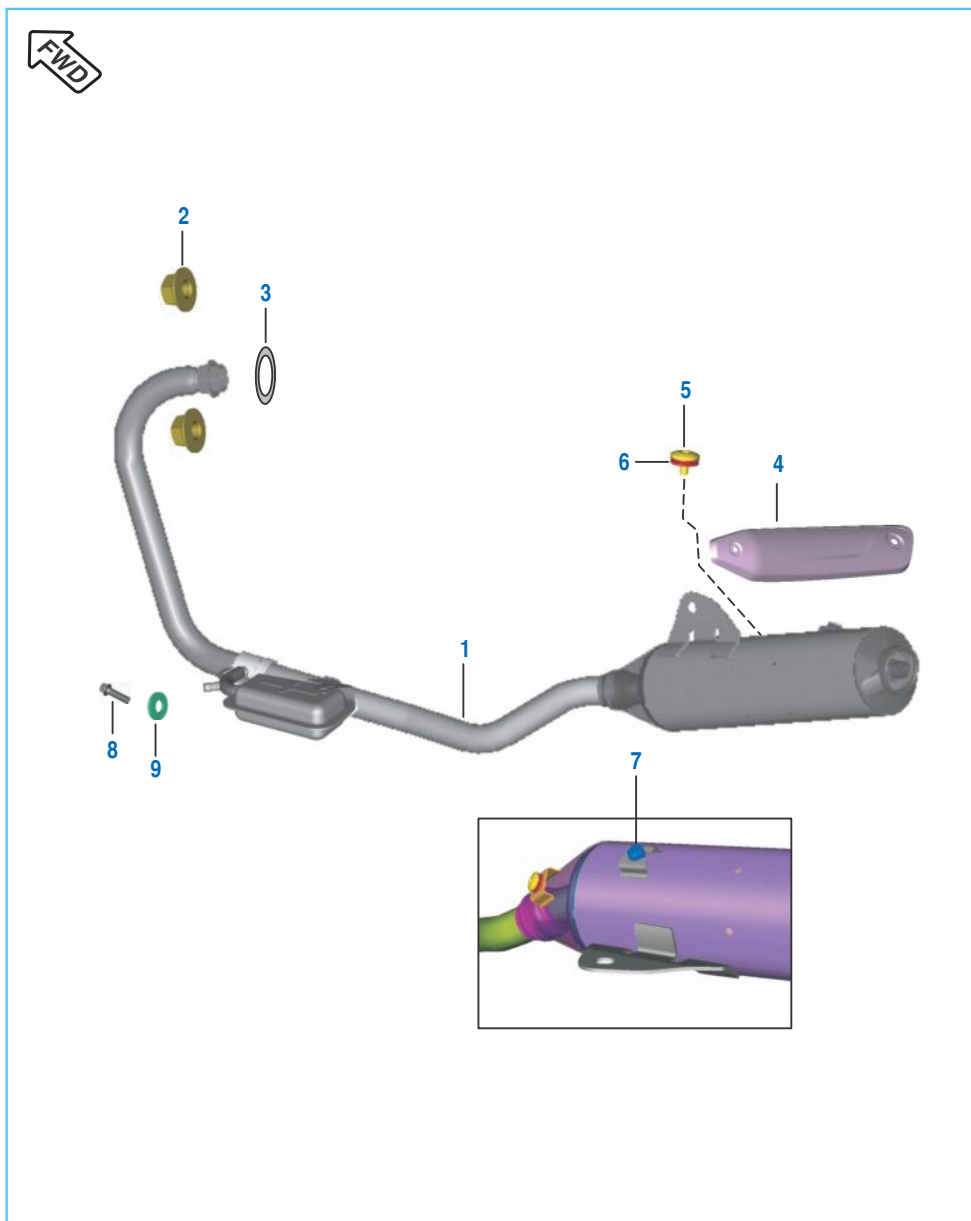
No.	Part No.	Description	Qty.		Remarks
			100M	125M	
1	PA 5812 26	Assly Carburetor-125 M	-	1	
2	36 PA01 54	Kit Piston Valve	-	1	Refer Page No. 115
3	36 PA01 55	Kit Pilot Screw	-	1	Refer Page No. 115
4	36 PA01 56	Kit Jet-125 M	-	1	Refer Page No. 115
5	36 JE00 19	Kit Float Chamber Body	-	1	Refer Page No. 116
6	36 JE00 20	Kit Top Cap	-	1	Refer Page No. 116
7	36 JE00 21	Kit Plunger Assly	-	1	Refer Page No. 116
8	36 JE00 22	Kit O Ring & Gasket	-	1	Refer Page No. 116
9	DK 1210 41	Kit VC Screw	-	1	Refer Page No. 116
10	JE 5812 13	Diaphragm	-	1	
11	DH 1210 59	Float Assly	-	1	
12	DH 1210 64	Screw Needle Shaft	-	1	
13	DH 1210 93	Needle Assly	-	1	
14	JE 5812 23	Pipe Overflow	-	1	
14A	DH 1210 63	Pin	-	1	
15	DH 1210 41	Clip Drain Hose	-	1	N.I.
16	JE 5812 18	Drain Screw	-	1	
17	DP 1210 67	Screw Float Body	-	4	
18	DH 1211 76	Screw Diaphragm Cover	-	2	
19	DP 1210 59	Gasket Float Chamber	-	1	
20	DP 1210 18	Clamp	-	1	Towards Air Filter
21	PA 5812 27	TPS Reed Switch	-	1	

Air Cleaner Complete



No.	Part No.	Description	Qty.		Remarks
			100M	125M	
1	PA 5810 39	Assembly Air Filter	1	-	
	PA 5810 42	Assembly Air Filter D105C	-	1	
2	KA DA06 18	Bolt Flange	2	2	
3	PA 5810 29	Element Air Filter	1	1	
4	PA 5810 34	Hose Breather	1	1	
5	JZ 5810 25	Drain Tube	1	1	
6	DG 1210 25	Clip	2	2	
7	DS 1211 26	Pug	1	1	
8	KA DD06 70	Bolt Flange M6 X 70	1	1	
9	LA D000 70	Bolt Stepped	2	2	
10	LA D000 53	Bolt Flange	1	1	
11	DH 1210 38	Clamp	1	1	

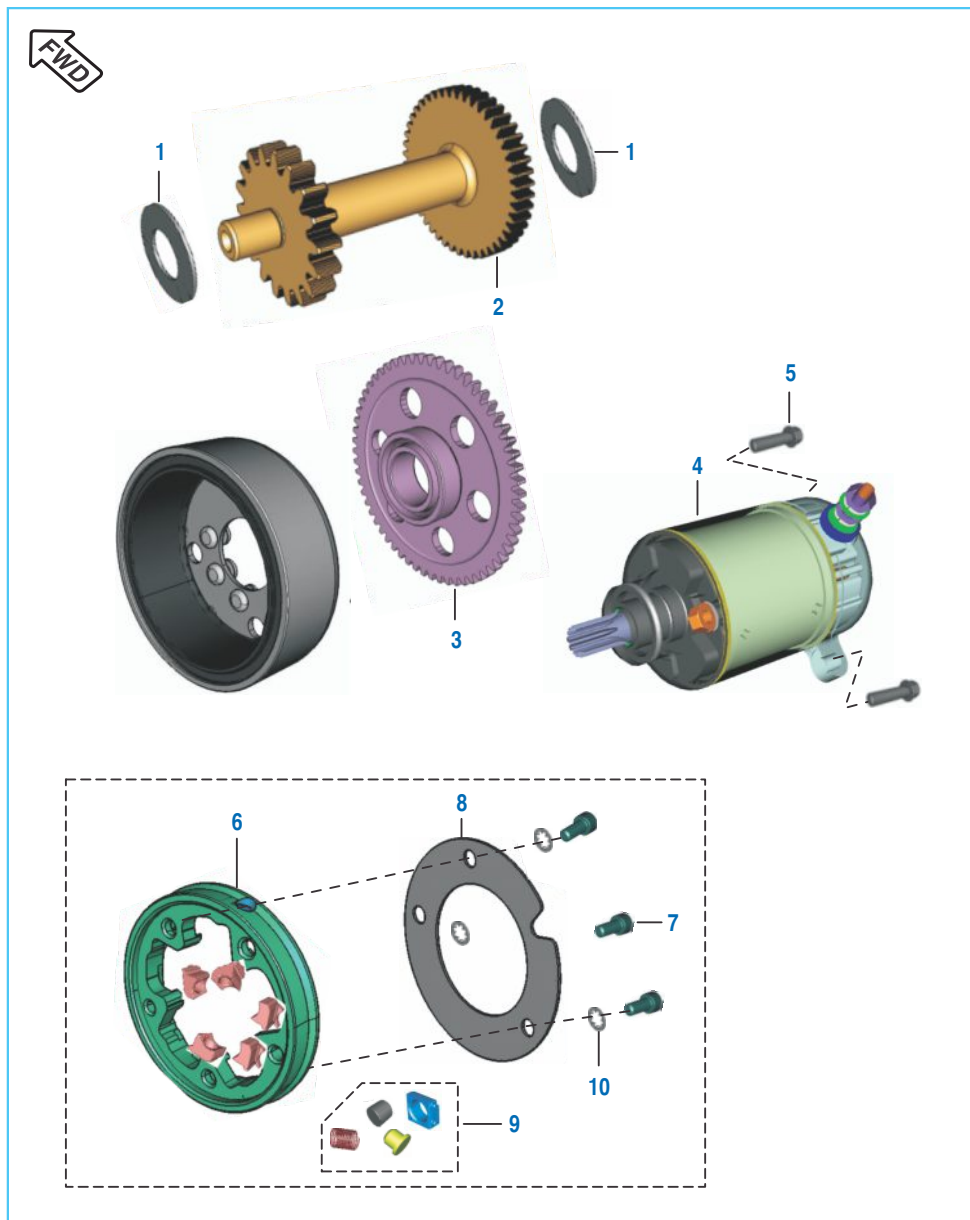
Silencer Assembly



No.	Part No.	Description	Qty.		Remarks
			100M	125M	
1	36 PA01 24	Kit Assly Silencer W/O Shields	1	-	Ref. Ser. Cir. A-24
	YP A130 12	Silencer W/O Shields	1	--	
	YP A150 01	Silencer W/O Shields	-	1	
2	JA 5910 40	Nut - U	2	2	
3	JE 5910 02	Gasket Exhaust	1	1	
4	PA 5910 77	Shield Muffler	1	-	Ref. Ser. Cir. A-24
	PA 5911 20	Shield Muffler	-	1	
5	DH 1013 95	Truss Screw	2	2	
6	DH 1013 01	Seal Shield Muffler	2	2	
7	JW 5910 30	Grommet Shield	1	1	
8	DK 1016 10	Bolt M5	1	1	
9	39 2492 11	Plain Washer	1	1	

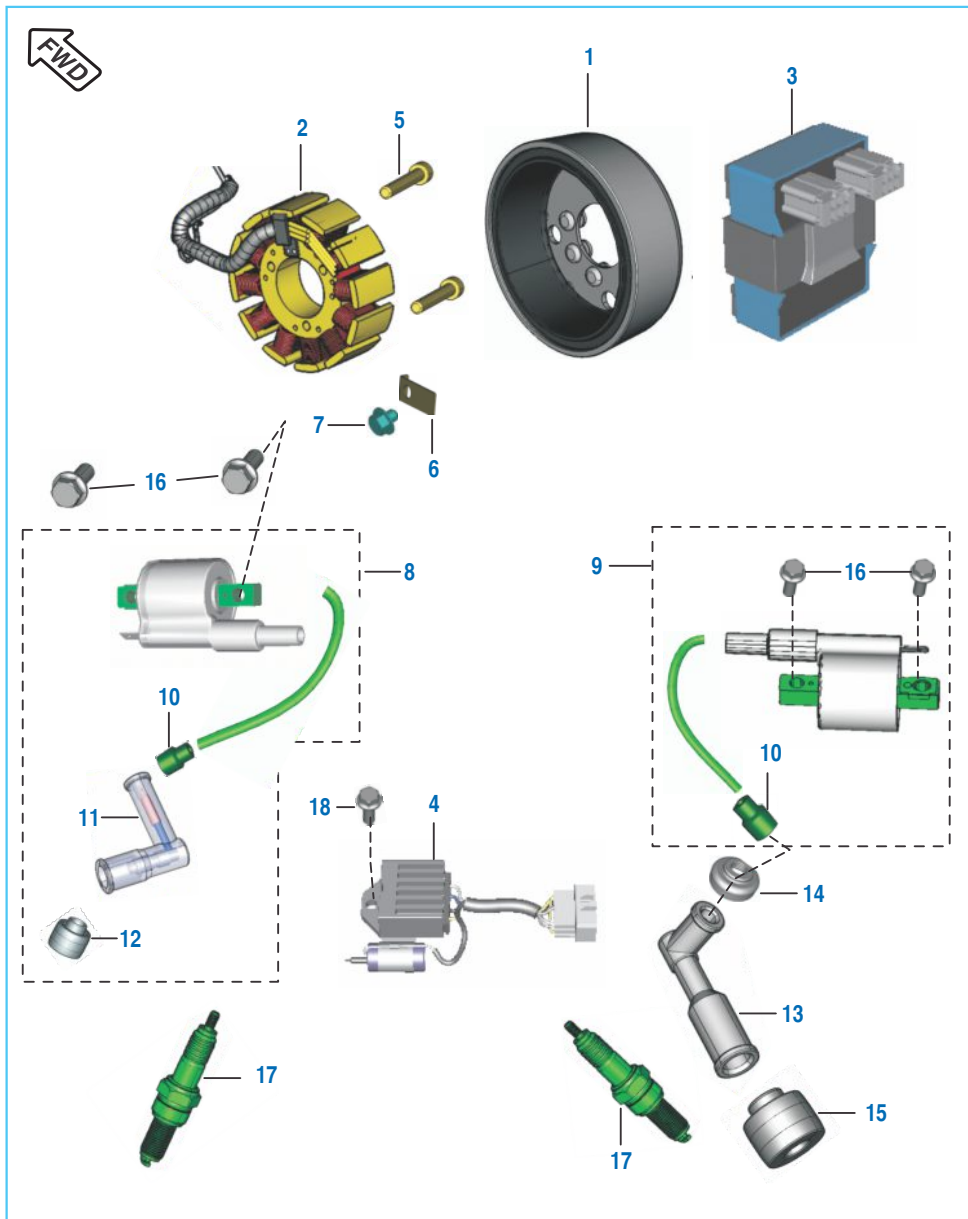


Starter Assembly



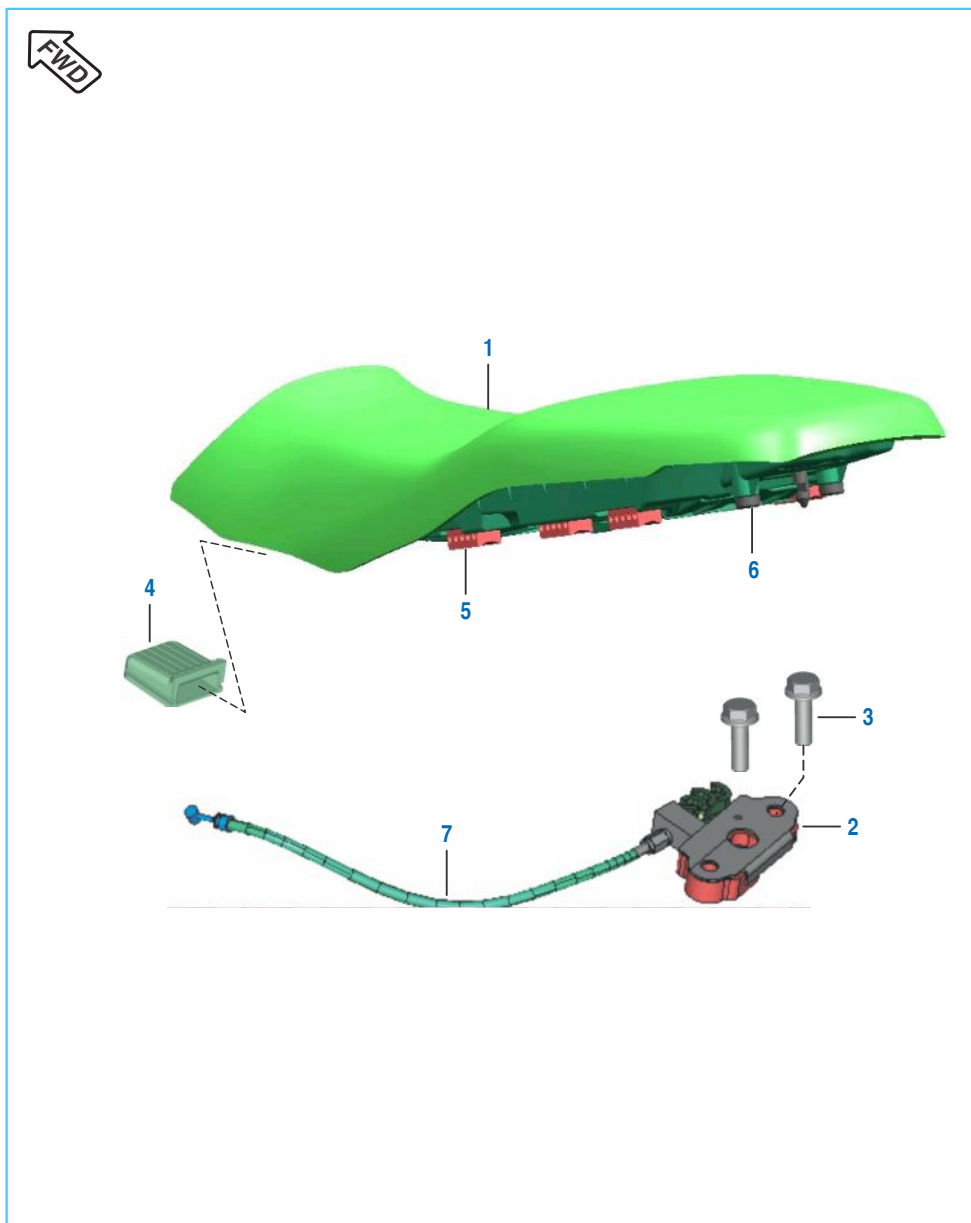
No.	Part No.	Description	Qty.		Remarks
			100M	125M	
1	JA 6214 02	Washer (Thk 0.4)	2	2	
2	JA 6214 06	Drive Assly.	1	1	
3	JA 6214 10	Gear Starter Clutch	1	1	
4	JA 3516 00	Starter Motor Assly.	1	1	
5	LA D000 11	Bolt Flange	2	2	
6	JA 6214 14	Body starter Clutch	1	1	
7	DH 1013 82	Bolt	3	3	
8	DH 1017 81	Plate Roller Clutch	1	1	
9	36 JZ00 08	Starter Clutch Repair Kit	1	1	Refer Page No. 111
10	39 0849 14	Washer	3	3	

Magneto, CDI & H.T. Coil



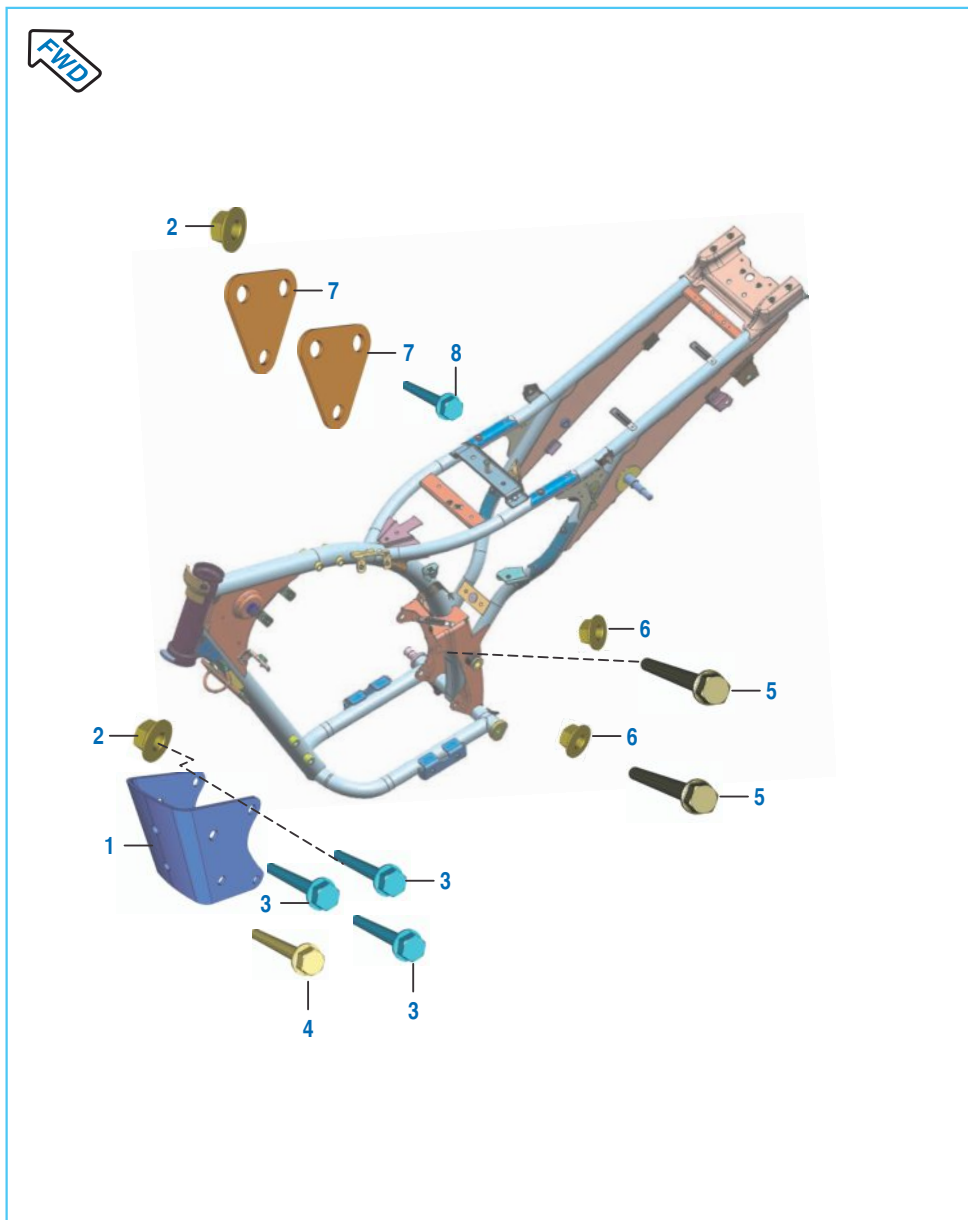
No.	Part No.	Description	Qty.		Remarks
			100M	125M	
1	JB 3510 24	Rotor Assly	1	--	
	PA 3510 18	Rotor Assly - DC	1	1	Ref. Ser. Cir. A-24
2	JB 3510 25	Stator assly	1	--	
	JE 3510 05	Stator assly- DC	1	1	Ref. Ser. Cir. A-24
3	PA 3512 13	CDI	1	--	
	PA 3512 15	CDI - DC	1	--	Ref. Ser. Cir. A-24
	PA 3512 17	CDI - DC	1	--	Ref. Ser. Cir. A-28
	PA 3512 14	CDI	--	1	
4	JN 4020 00	RR Unit With Capacitor	1	--	
	JF 4020 00	RR Unit With Capacitor - DC	1	1	Ref. Ser. Cir. A-24
5	39 1675 04	Flange bolt	2	2	
6	JA 5410 28	Lock Plate	1	1	
7	DH 1013 80	Pan Head Screw	3	3	
8	PA 3512 10	Coil HT LH	1	1	
9	PA 3512 12	Coil HT RH	1	1	
10	DD 1110 12	Grommet HT coil	2	2	
11	DD 1010 48	Spark Plug Cap LH	1	1	
12	DD 1110 11	Grommet Spark Plug Cap LH	1	1	
13	DH 1110 15	Cap Spark Plug RH	1	1	
14	JD 3512 06	Grommet Sleeve Plug Cap RH	1	1	
15	DH 1110 13	Grommet Spark Plug Cap RH	1	1	
16	59 0400 14	Bolt Flanged M6X1	4	4	
17	CF 1110 19	Plug - Spark BOSCH :	2	2	UR4AC Or
	DD 1110 18	Plug - Spark Champion	2	2	PRZ9HC
18	KA DD06 14	Bolt Flange	1	1	Alt. no. 39 1940 04
19	KA DF06 20	Bolt-Regulator Mtg	2	2	Ref. Ser. Cir. A-24

Seat Assembly / Seat Lock



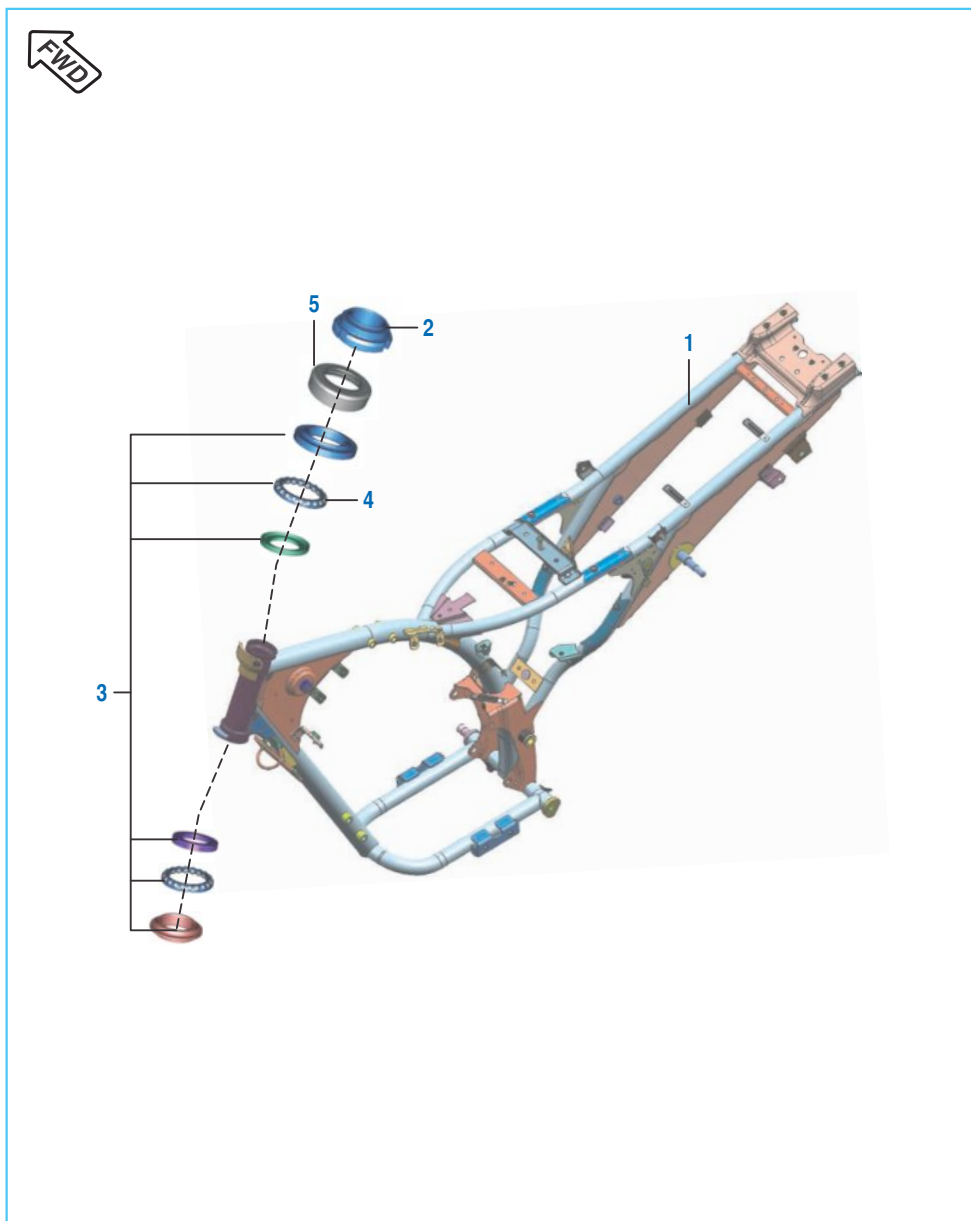
No.	Part No.	Description	Qty.		Remarks
			100M	125M	
1	PA 1910 05	Seat Assly. Comp	1	1	
2	PA 1612 11	Lock Assy. Seat	1	1	
3	39 1902 04	Bolt - Flanged : M6	2	2	
4	PA 1910 10	Damper Front	2	2	
5	JZ 1910 10	Damper For Seat	8	8	
6	JD 1910 06	Damper Rear For Seat	2	2	
7	PA 1612 07	Cable Seat Lock	1	1	

Engine Mountings



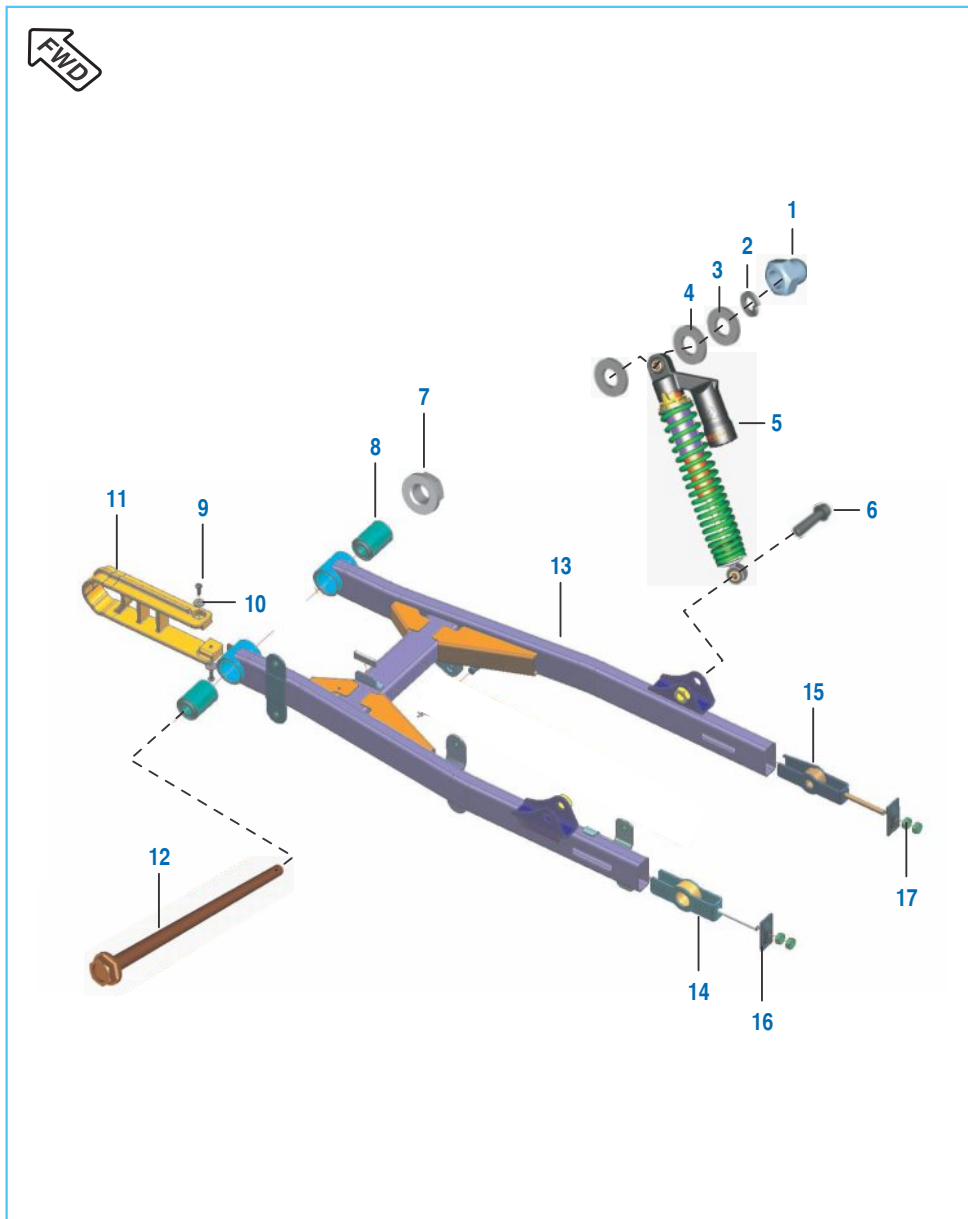
No.	Part No.	Description	Qty.		Remarks
			100M	125M	
1	PA 1134 10	Bracket Eng Mtg Front	1	1	
2	LC G000 01	Nut - Hex With Flange	5	5	
3	LA D000 02	Bolt Flange M8 L75	3	3	
4	LA D000 01	Bolt Flanged	1	1	
5	JA 1134 03	Flanged Bolt M10X110	2	2	
6	39 2723 15	Nut Flanged M10 Olive	2	2	
7	PA 1134 13	Bracket Engine Mtg Top LH	2	-	
	PA 1134 14	Bracket Engine Mtg Top D125 C	-	2	
8	LA D000 48	Bolt Flanged	3	3	M8 X 1.25P X 65 L

Frame and Frame Fittings



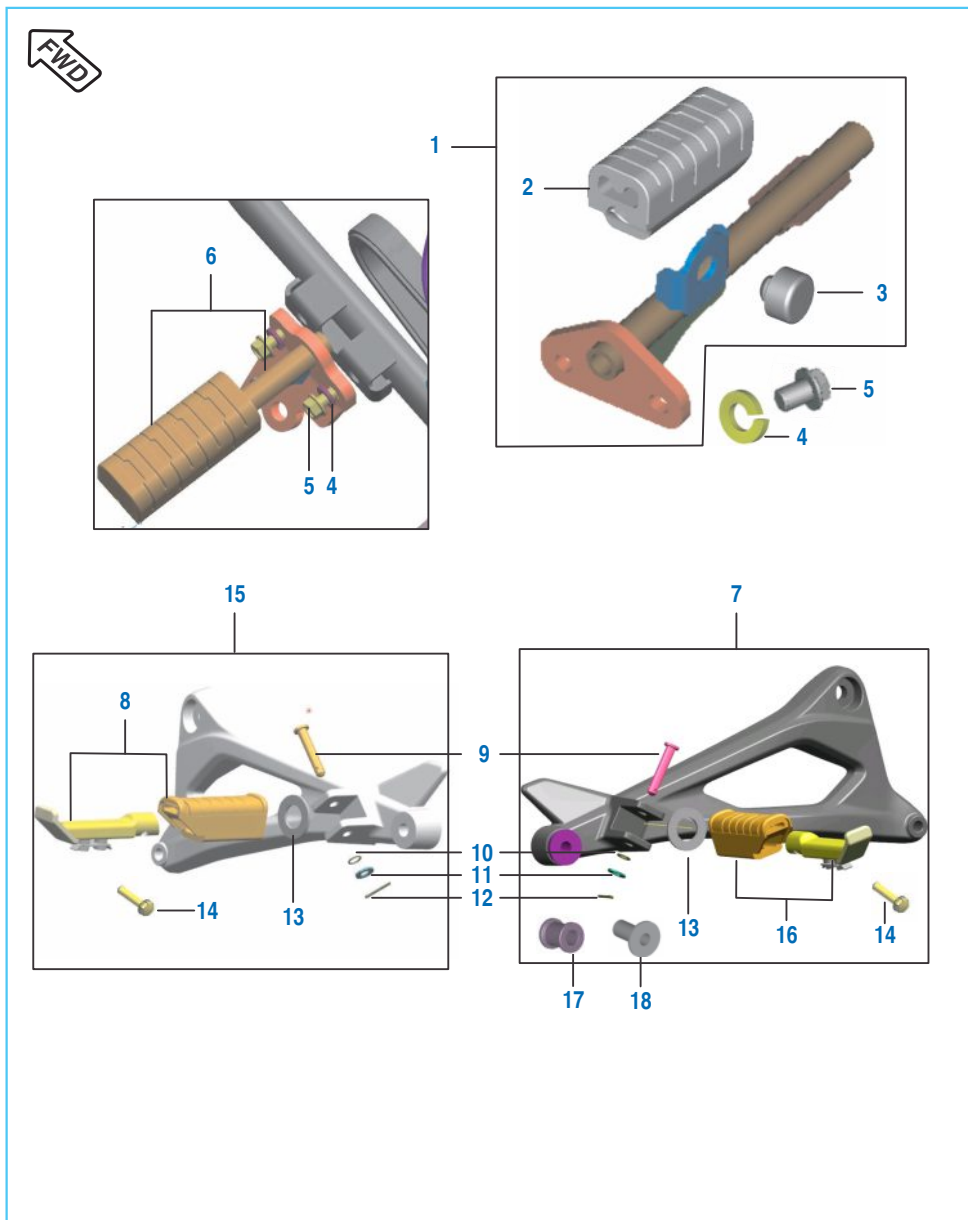
No.	Part No.	Description	Qty.		Remarks
			100M	125M	
1	PA 1111 32	Frame Assembly	1	-	Ref. Ser. Cir. A-24 Commonised-11.04.14
	PA 1112 46	Frame Assembly	1	--	
	PA 1112 40	Frame Assembly	1	1	
2	JZ 1510 84	Nut Steering	1	1	
3	36 PA01 44	Kit-Brg Race+Cone	1	1	Refer Page No. 112
4	DJ 1811 15	Cage Bearing - Steering	2	2	
5	JZ 1510 83	Cap Steering	1	1	
6	DK 2010 49	Clamp Harness Wiring	1	1	N.I.
7	36 0010 52	Grease Lithon RR3-10gm	1	1	N.I.

Swing Arm / Rear Shock Absorber



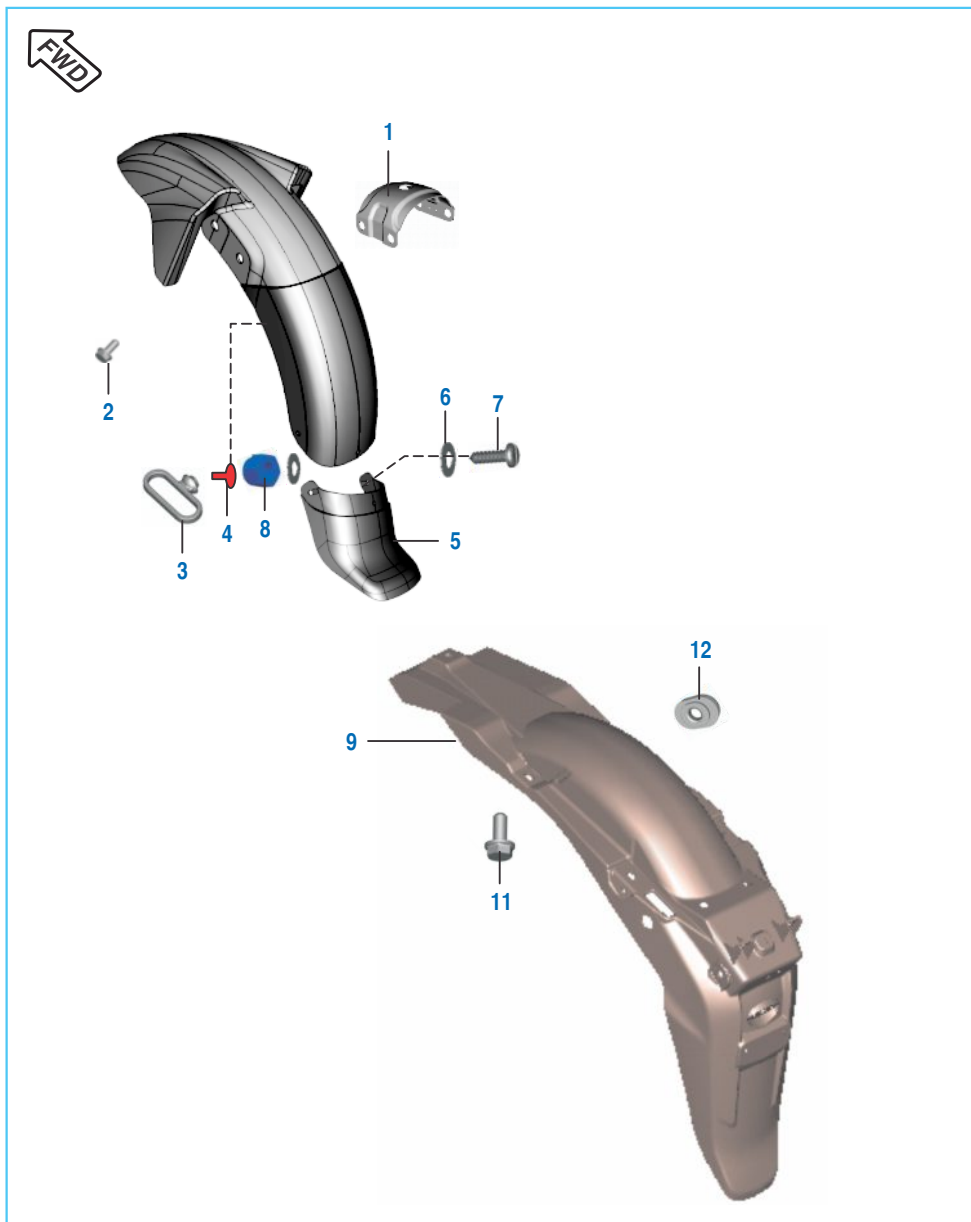
No.	Part No.	Description	Qty.		Remarks
			100M	125M	
1	JB 1220 09	Domed Cap Nut	2	2	
2	39 2726 12	Spring Washer	2	2	
3	JB 1220 11	Plain Washer	2	2	
4	JB 1220 10	Plain Washer	4	4	
5	PA 1220 26	Rear Shock Absorber	2	2	
6	JB 1220 16	Hex Bolt / Flange - M10	2	2	
7	39 1358 15	Flanged Nut	1	1	
8	DP 1710 06	Bush	2	2	
9	39 0553 02	Screw	2	2	
10	39 0454 11	Plain Washer	2	2	
11	PA 1220 29	Chain Slider	1	1	
12	JD 1210 02	Shaft Swing Arm	1	1	
13	PA 1220 28	Swing Arm Assly	1	-	
	PA 1220 34	Assembly Swing Arm	-	1	
14	PA 1220 23	Adjuster Chain LH	1	1	
15	PA 1220 22	Adjuster Chain RH	1	--	
	PF 1220 16	Adjuster Chain RH	-	1	
16	PA 1220 21	Plate Chain Adjuster	2	2	
17	39 0292 15	Hexagon Nut	4	4	

Rider Foot Rest



No.	Part No.	Description	Qty.		Remarks
			100M	125M	
1	PA 1130 24	Assly Main Step RH	1	1	
2	PA 1130 08	Rubber	2	2	
3	DG 1612 24	Damper	1	1	
4	KD CB08 16	Washer Spring	4	4	
5	KA DD08 22	Flange Bolt	4	4	
6	PA 1130 22	Assly Main Step LH	1	1	
7	PA 1130 38	Holder Step RH Assly	1	-	
	PA 1130 59	Holder Step RH Soft Mtg	-	1	
8	PA 1130 41	Assly Pillion Step LH	1	1	
9	DH 1610 61	Pin	2	2	
10	30 1410 31	'O' Ring	2	2	
11	39 1040 11	Washer Plain	2	2	
12	39 0784 08	Pin Split	2	2	
13	DJ 1611 86	Washer	2	2	
14	39 1714 04	Bolt	2	2	
15	PA 1130 35	Holder Step LH Assly.	1	1	
16	PA 1130 40	Assly Pillion Step RH	1	1	
17	JZ 1130 42	Damper Silencer	1	1	
18	DJ 1612 78	Tube Silencer Mounting	1	1	

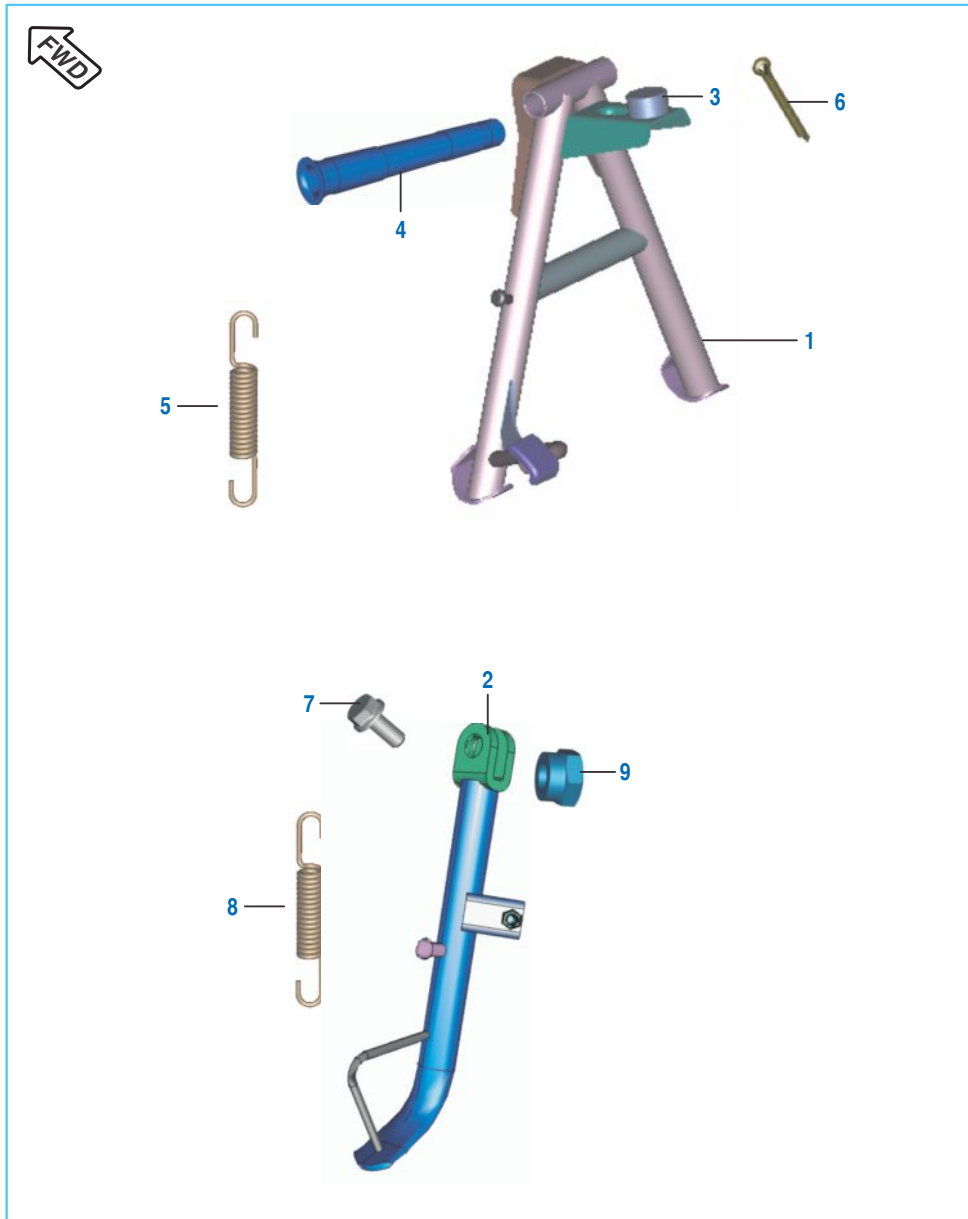
Mudguard - Front & Rear



No.	Part No.	Description	Qty.		Remarks
			100M	125M	
1	PA 1814 05	Fender Brace	1	1	Drum Brake
	JZ 1814 15	Fender Brace	1	1	Disc Brake
2	59 0400 19	Bolt Hex With Flange - M8x1.25	4	4	
3	DS 1611 25	Guide - Cable	1	1	
4	DJ 1610 69	Nail - Cable Guide	1	1	
5	JZ 1814 16	Flap Front Fender	1	1	
6	39 0242 11	Washer - Plain	6	6	
7	39 2420 01	Screw - Pan Head : M5	3	3	
8	39 0326 15	Nut - Nyloc :- M5 X 0.8	3	3	
9	PA 1814 08	Fender Rear RR	1	1	
10	DJ 2011 73	Grommet	3	3	
11	LA E000 22	Bolt Flanged	7	7	Rear Fender Mtg.
12	DJ 2011 73	Grommet	2	2	

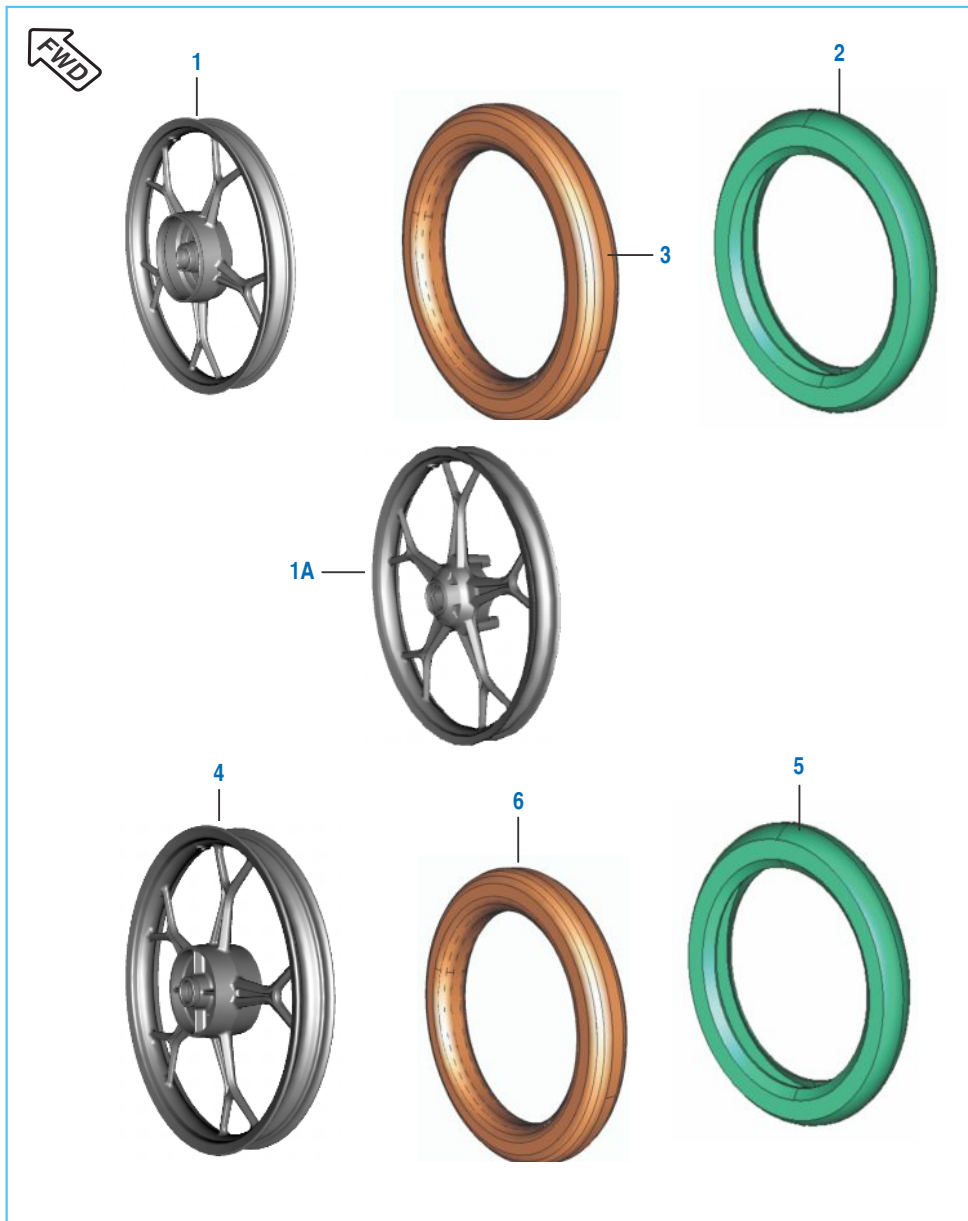


Stand Assembly



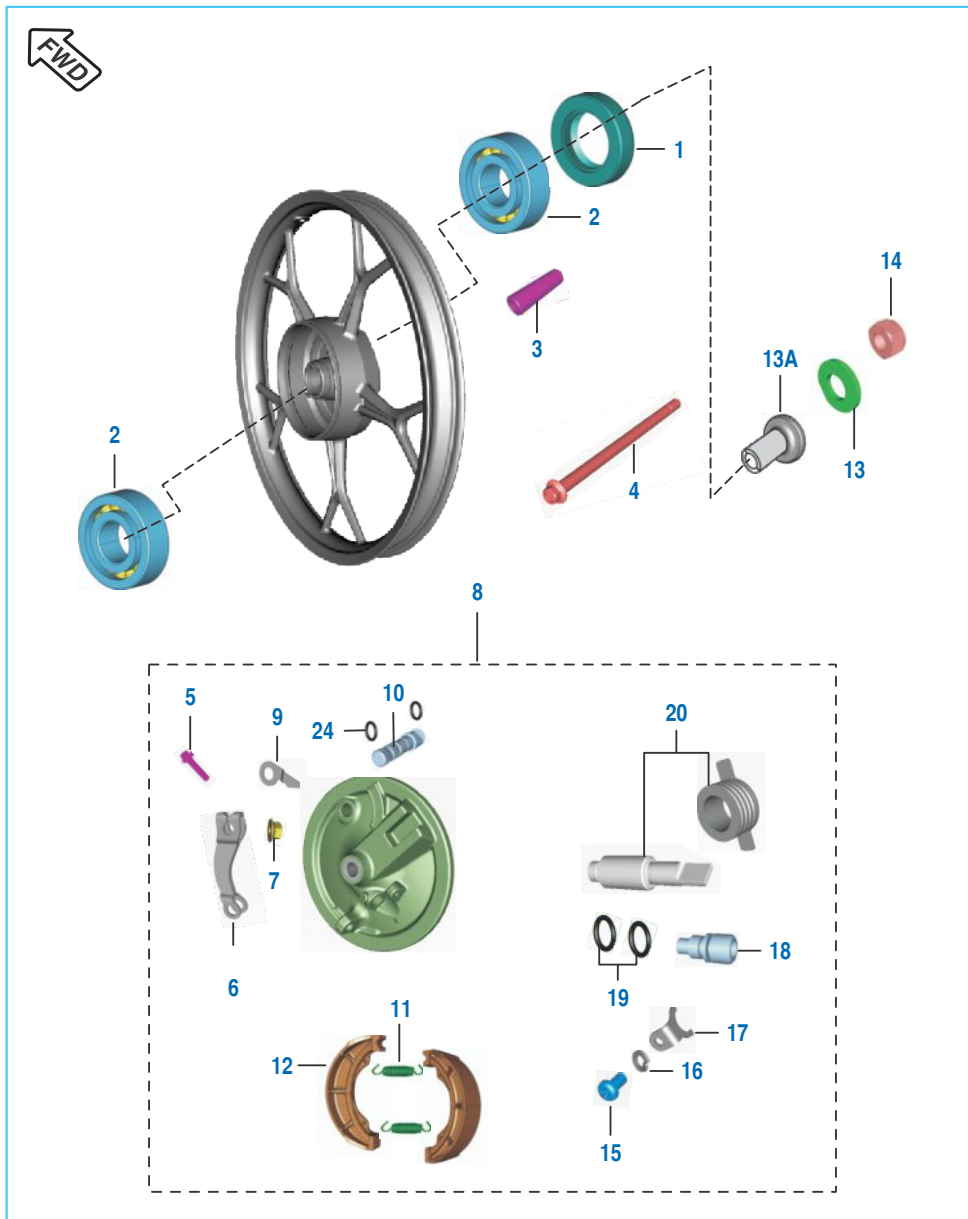
No.	Part No.	Description	Qty.		Remarks
			100M	125M	
1	PA 1132 07	Stand Center	1	1	
2	PA 1132 08	Stand Side	1	1	
3	PA 1132 04	Damper Center Stand	1	1	
4	JZ 1132 07	Shaft Center Stand	1	1	
5	DH 1611 21	Spring Main Stand	1	1	
6	39 0797 08	Pin - Cotter	1	1	
7	DF 1611 02	Bolt For Side Stand Mtg.	1	1	
8	DH 1610 66	Spring Side Stand	1	1	
9	39 0422 15	Nut - Nyloc :- M10	1	1	

Tube / Tyre / Rim



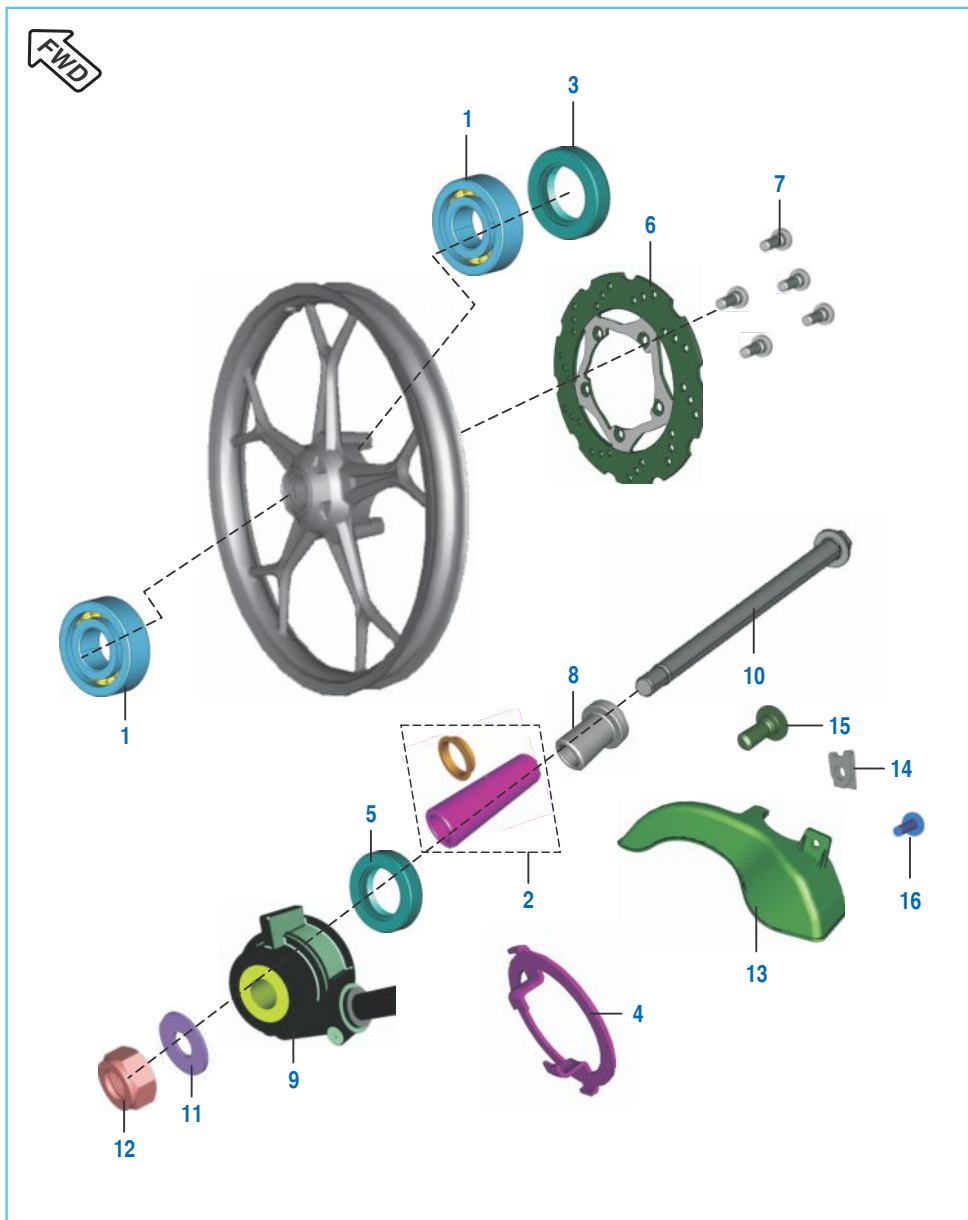
No.	Part No.	Description	Qty.		Remarks
			100M	125M	
1	PA 1310 19	Wheel Front 1.4X17	1	1	Drum Brake
1A	PA 1310 21	Wheel Front 1.4X17	1	1	Disc Brake
2	DS 1510 48	Tyre 2.75 X 17	1	1	Not Serviceable in Spare
3	DS 1510 49	Tube - 2.75 X 17	1	1	Not Serviceable in Spare
4	PA 1312 38	Wheel Rear 1.6X17	1	--	Drum Brake
	PA 1312 41	Wheel 1.6X17 130 Rear	--	1	
5	DS 1510 52	Tyre 3 X 17	1	1	Not Serviceable in Spare
6	DS 1510 53	Tube - 3 X 17	1	1	Not Serviceable in Spare

Front Hub (Drum Brake)



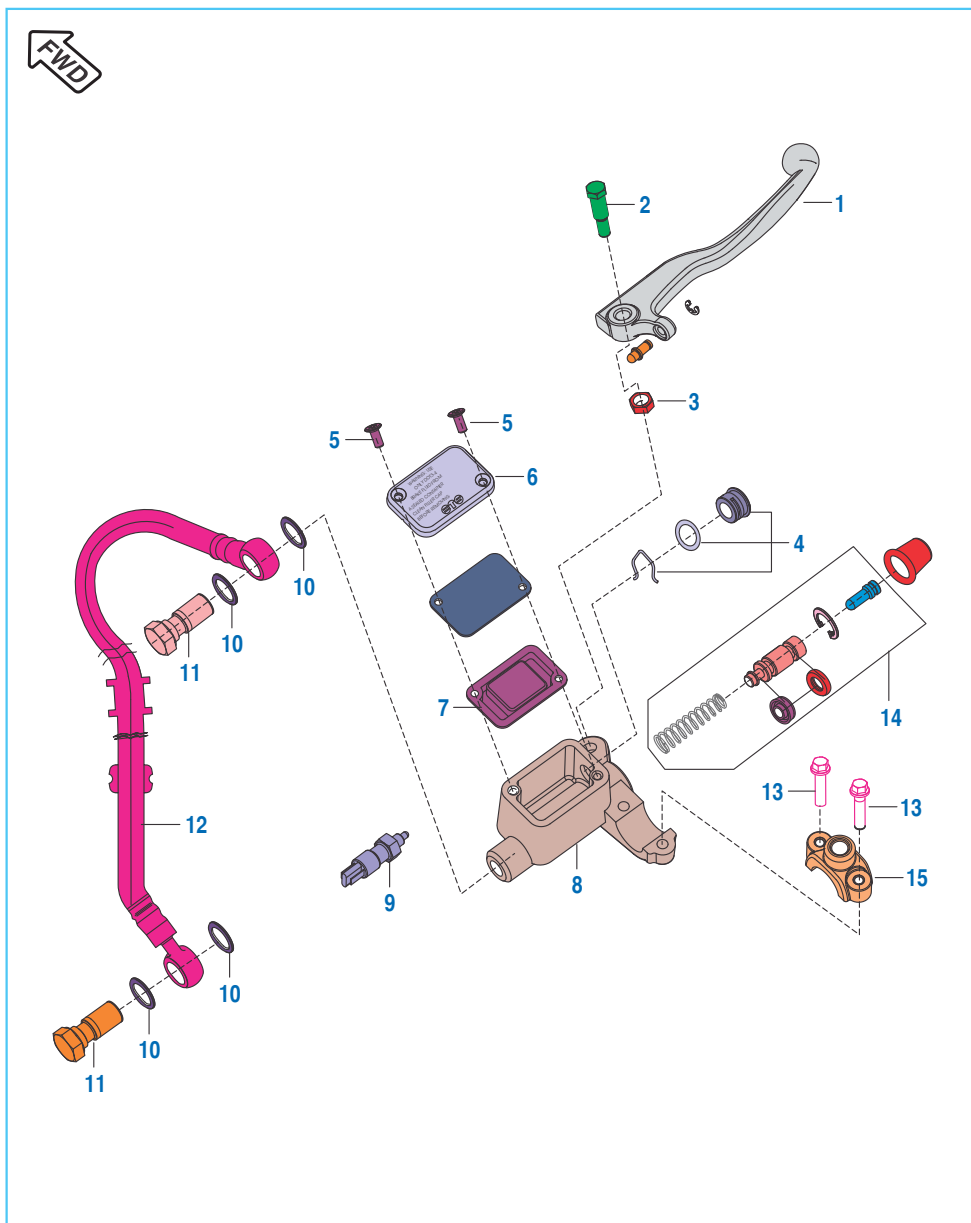
No.	Part No.	Description	Qty.		Remarks
			100M	125M	
1	30 1510 33	Oil Seal	1	1	
2	KP BB63 01	Bearing Ball	2	2	
3	30 1510 32	Collar Bearing	1	1	
4	JB 1310 17	Axle Front Wheel	1	1	
5	DS 1510 95	Bolt	1	1	
6	DS 1510 92	Lever Brake Cam	1	1	
7	DS 1510 94	Nut	1	1	
8	DS 1510 87	Panel Assly Front Brake	1	1	
9	DS 1510 91	Indicator	1	1	
10	DS 1510 89	Cam Brake Assly.	1	1	
11	30 1510 69	Spring	2	2	
12	30 1510 68	Shoe Brake	2	2	
13	JB 1310 18	Plain Washer	1	1	
13A	JB 1310 22	Spacer + Dust Seal	1	1	
14	JB 1310 19	U Nut (M12)	1	1	
15	39 0840 01	Pan Headed Screw	1	1	
16	39 0900 12	Washer Spring	1	1	
17	30 1511 18	Stopper for Bushing	1	1	
18	JA 1316 06	Bushing Speedo Gear	1	1	
19	39 1013 21	'O' Ring	2	2	Speedo Cable
20	36 DS 15 02	Speedometer Gear Kit	1	1	Refer page no. 100
21	30 1510 35	Seal Oil	1	1	N.I.
22	30 1510 42	Washer Plain	2	2	Gear Meter Screw
23	39 0840 01	Screw	1	1	To Secure
24	30 1510 38	Ring 'O'	2	2	

Front Hub (Disc brake)



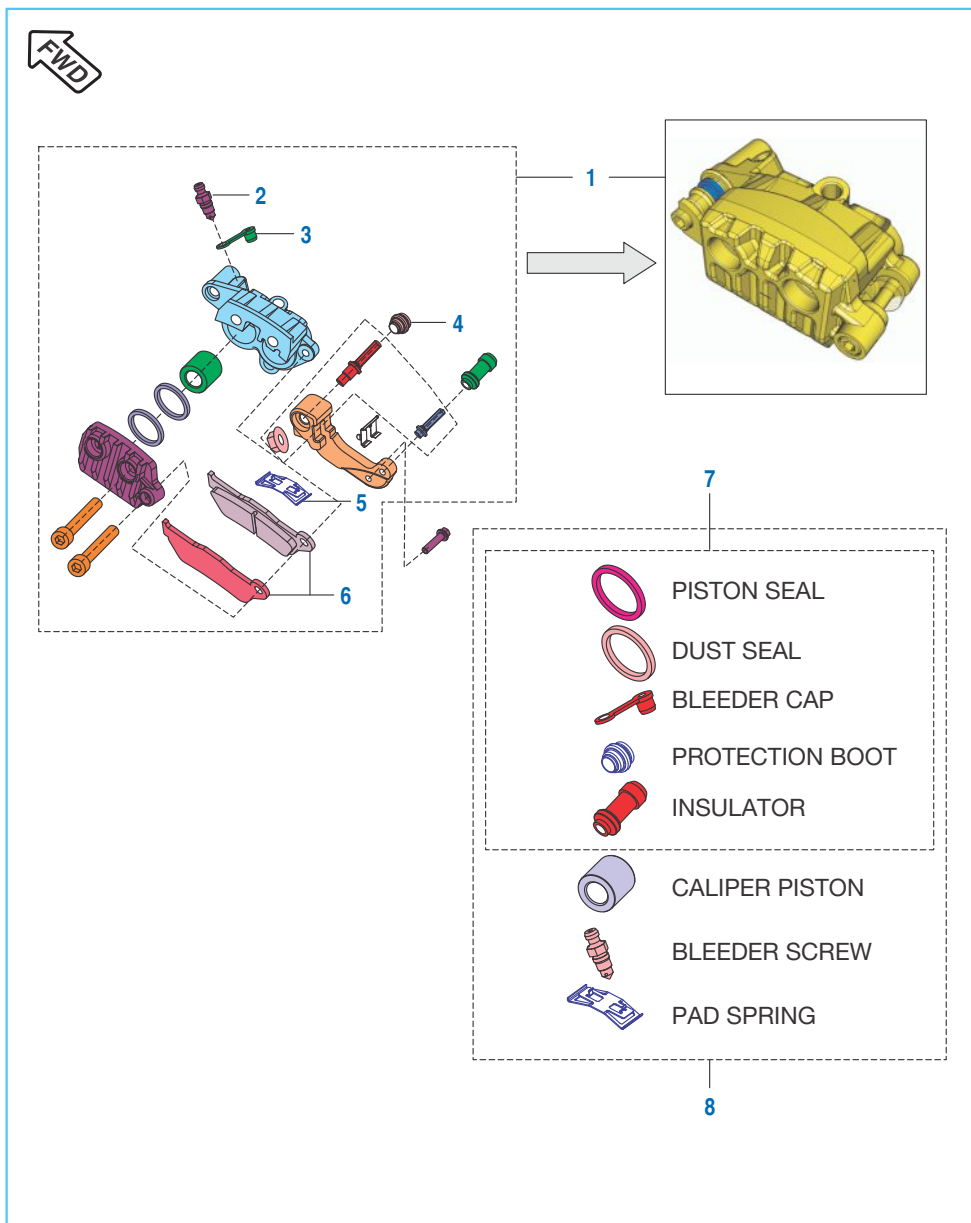
No.	Part No.	Description	Qty.		Remarks
			100M	125M	
1	KP BB63 01	Bearing - Ball 6301 RS1/C3	2	2	(12X37X12)
2	DE 1510 06	Spacer Assembly	1	1	
3	30 1510 33	Seal - Oil	1	1	
4	DE 1510 12	Plate - Drive For	1	1	Speedometer Gear
5	DE 1510 08	Seal - Oil	1	1	
6	JZ 1318 18	Disc Brake - 200 Mm	1	1	
7	LA C000 02	Socket Head Bolt M-6, 10.9	5	5	
8	JN 1310 03	Spacer	1	1	
9	JZ 1316 01	Case Meter Assy - Gear	1	1	
10	JB 1310 17	Axle Front	1	1	
11	JB 1310 18	Plain Washer	1	1	
12	59 1500 03	U Nut M12	1	1	
13	JW 1812 41	Cover Disc	1	1	
14	JN 1812 11	Clip Nut - M6	1	1	Disc Cover Mtg.
15	LB U000 04	Step Bolt - M5x12L- 4.8	1	1	Disc Cover Mtg.
16	LB U000 05	Screw Truss- M6x35 L,4.8	1	1	Disc Cover Mtg.

Front Master Cylinder (Disc brake)



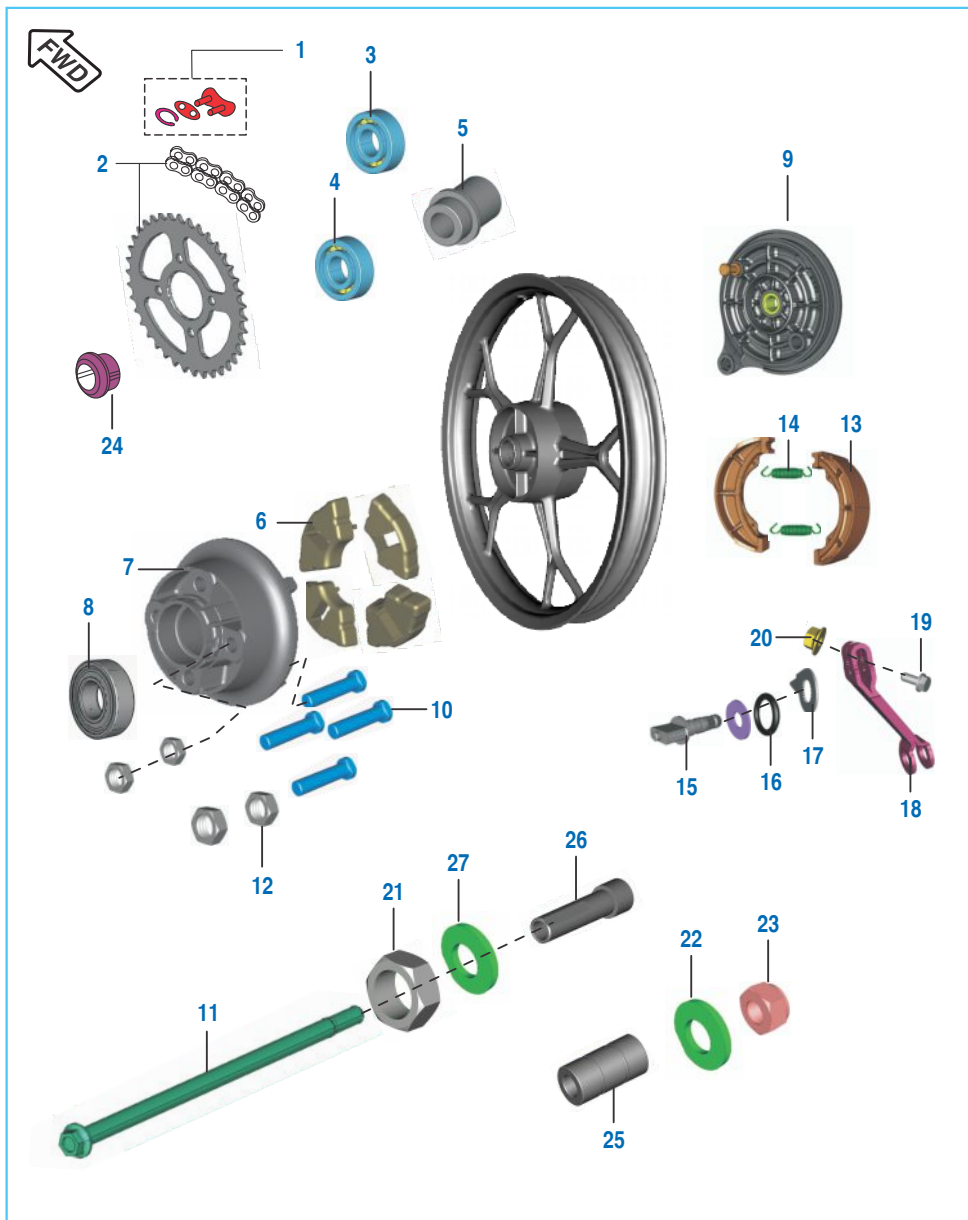
No.	Part No.	Description	Qty.		Remarks
			100M	125M	
1	DJ 1910 59	Lever Front Brake	1	1	
2	DJ 1910 29	Bolt Front Lever	1	1	
3	DJ 1910 30	Nut	1	1	
4	DE 1910 35	Oil Window Kit	1	1	
5	DJ 1910 31	Screw	2	2	
6	DJ 1910 34	Cover - Reservoir	1	1	
7	DJ 1910 35	Diaphragm	1	1	
8	DJ 1910 58	Master Cylinder with lever	1	1	
9	DJ 2011 09	Switch	1	1	
10	DJ 1910 25	Washer - Copper	4	4	
11	DJ 1910 26	Bolt - Banjo	2	2	
12	PA 1318 44	Hose Assembly	1	1	
13	LA D000 37	Bolt Flanged M8X1X50	2	2	
14	36 DJ40 31	Major Kit Major Master Cyl	1	1	
15	DJ 1910 27	Clamp - Holder : RH	1	1	

Front Caliper Assembly (Disc brake)



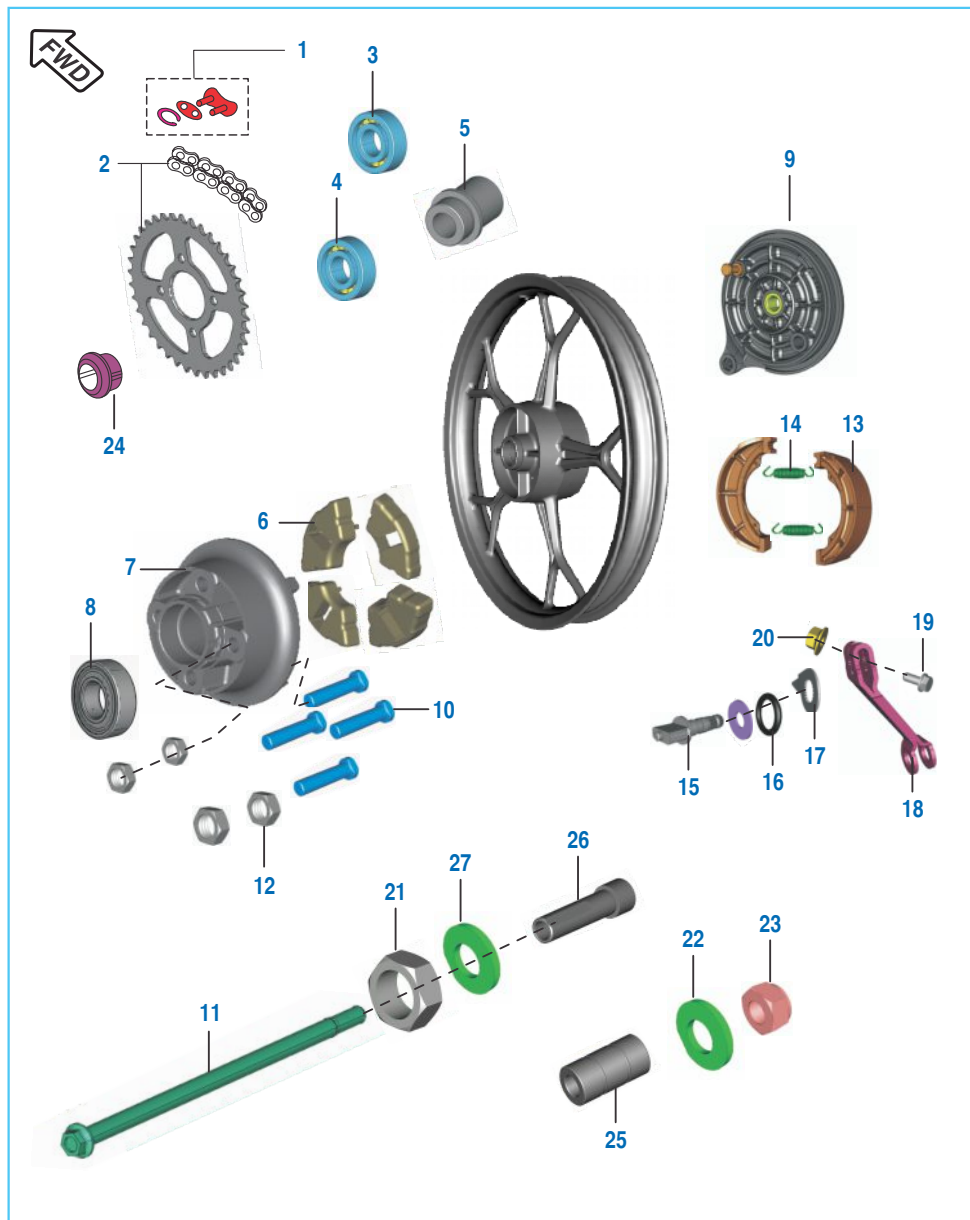
No.	Part No.	Description	Qty.		Remarks
			100M	125M	
1	JW 1318 01	Caliper Assy Brake Front	1	1	
2	DE 1510 46	Screw Bleeder	1	1	
3	DE 1510 47	Bleeder Cap	1	1	
4	JL 1318 07	Boot	1	1	
5	DE 1510 48	Spring	1	1	
6	JW 1318 07	Brake Pad Set	1	1	
7	36 DJ40 32	Minor Kit	1	1	
8	36 DJ40 33	Major Kit	1	1	

Rear Hub



No.	Part No.	Description	Qty.		Remarks
			100M	125M	
1	JD 1410 03	Drive Chain Lock	1	1	
2	36 PA01 23	Kit Chain Sprocket	1	1	Refer Page No. 112
	36 PA01 52	Kit Chain Sprocket	1	--	Ref. Ser. Cir. A-24
	36 JZ00 07	Kit Chain Sprocket	--	1	Refer Page No. 114
3	KP BB63 01	Bearing-Ball C3	1	--	
	KP BB62 02	Bearing ball C3 Clearance	--	1	
4	KP BB62 01	Bearing-Ball C3	1	--	
	KP BB63 02	Bearing ball C3 Clearance	--	1	
5	31 1510 18	Collar-Bearing	1	--	
	30 1510 75	Collar-Bearing	--	1	
6	PA 1312 63	Coupling Rubber	1	--	
	DK 1510 94	Coupling Rubber	--	1	
7	DX 1510 08	Coupling	1	--	
	DS 1510 68	Coupling	--	1	
8	KP BC60 04	Ball Bearing	1	1	
9	JA 1312 05	Panel Rear Brake	1	--	
	DJ 1510 92	Panel Rear Brake	--	1	
10	PA 1312 61	D Bolt	4	--	
	DS 1510 73	Stud	--	4	
11	PA 1312 39	Axle Rear	1	--	
	DJ 1510 32	Axle Rear	--	1	
12	LC L000 03	Nut U Flange	4	4	
13	31 1510 07	Shoe Brake	2	2	
	30 1511 05	Shoe Brake	--	1	
14	30 1510 69	Spring	2	2	

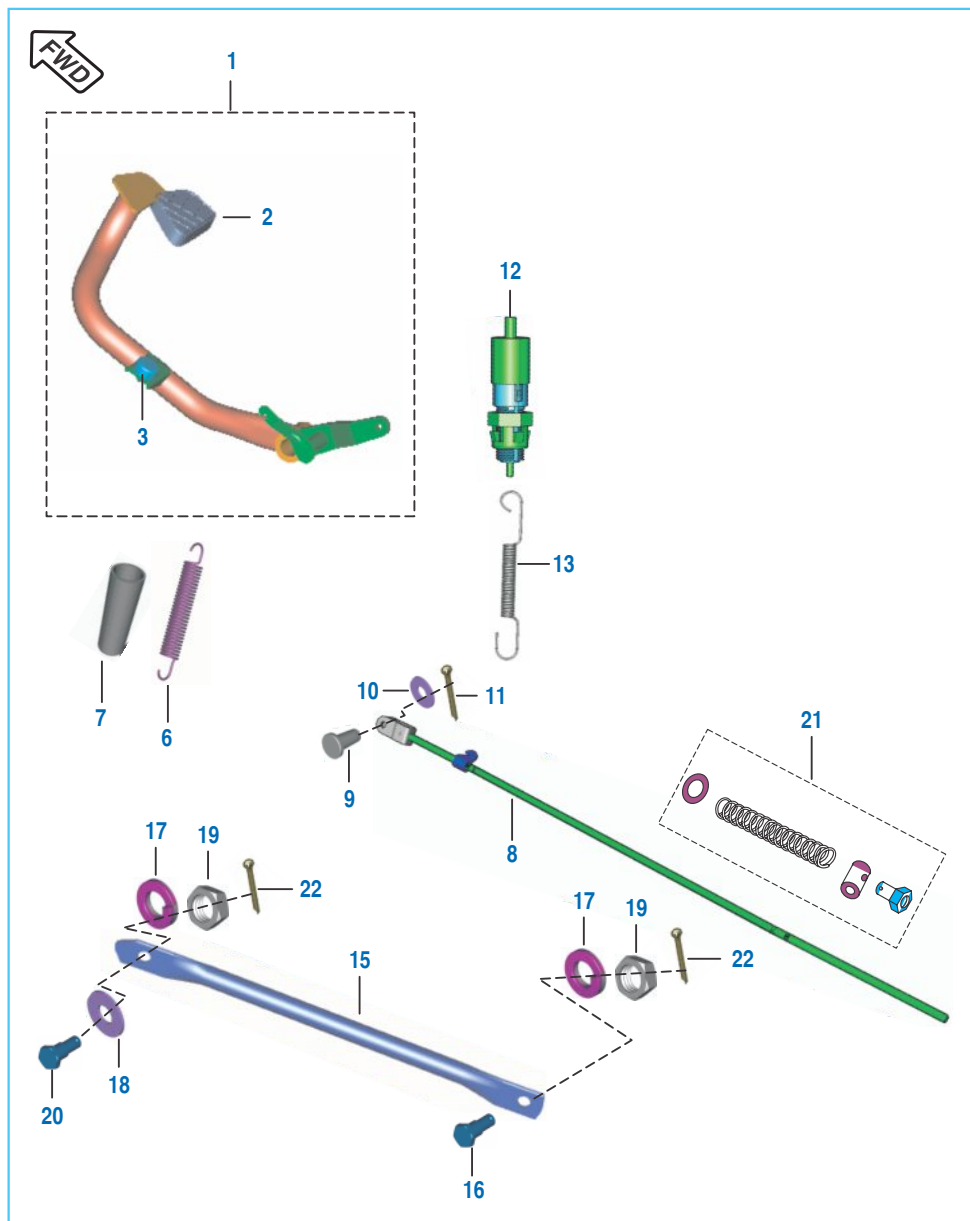
Rear Hub



No.	Part No.	Description	Qty.		Remarks
			100M	125M	
15	JB 1312 23	Cam Brake Assly.	1	---	
	30 1510 11	Cam Brake Assly.	---	1	
16	30 1510 38	'O' Ring	1	1	
17	DS 1510 90	Wear Indicator	1	1	
18	PA 1318 35	Lever Cam Brake	1	1	
19	JB 1312 24	Hex Bolt with Flange	1	1	
20	DS 1510 94	Flange Nut	1	1	
21	JB 1312 25	Hex Nut M18	1	1	
	LC A000 01	Nut Hex M20X1X12	1	1	
22	DX 1510 18	Washer Plain	1	---	
	LD B000 01	Washer Plain	---	1	
23	JB 1310 19	Nut - U M12	1	---	
	DH 1710 19	Nut - U M12	---	-	
24	PA 1312 17	Collar Assy	1	1	
	PA 1312 21	Collar Assy	-	1	
25	PA 1312 34	Collar	1	---	
	PF 1312 27	Spacer Panel Side	---	1	
26	PA 1316 10	Sleeve	1	1	
	PF 1312 25	Sleeve Coupling	-	1	
27	DX 1510 15	Plain Washer	1	---	
	LD B000 02	Plain Washer	-	1	

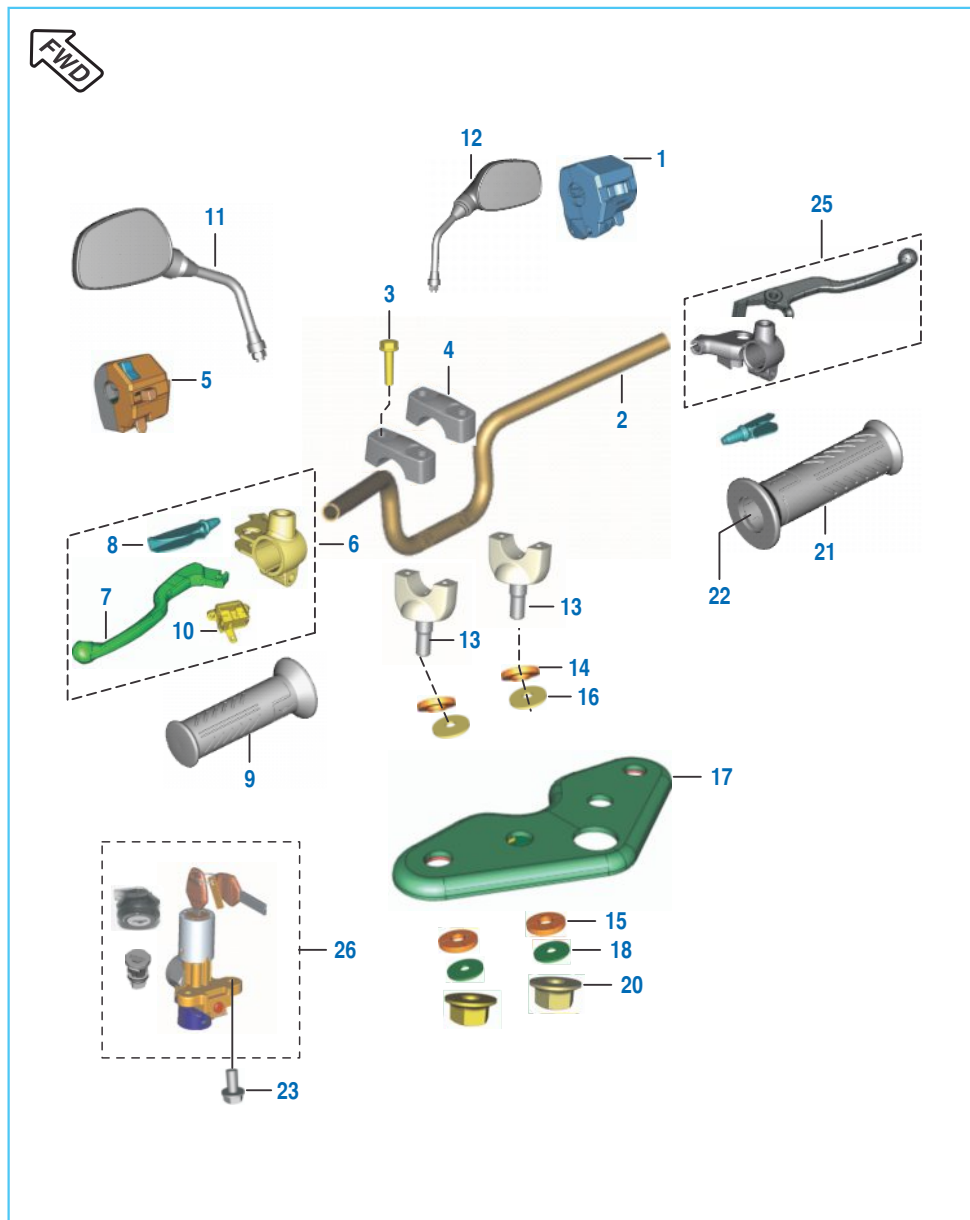


Rear Brake Pedal



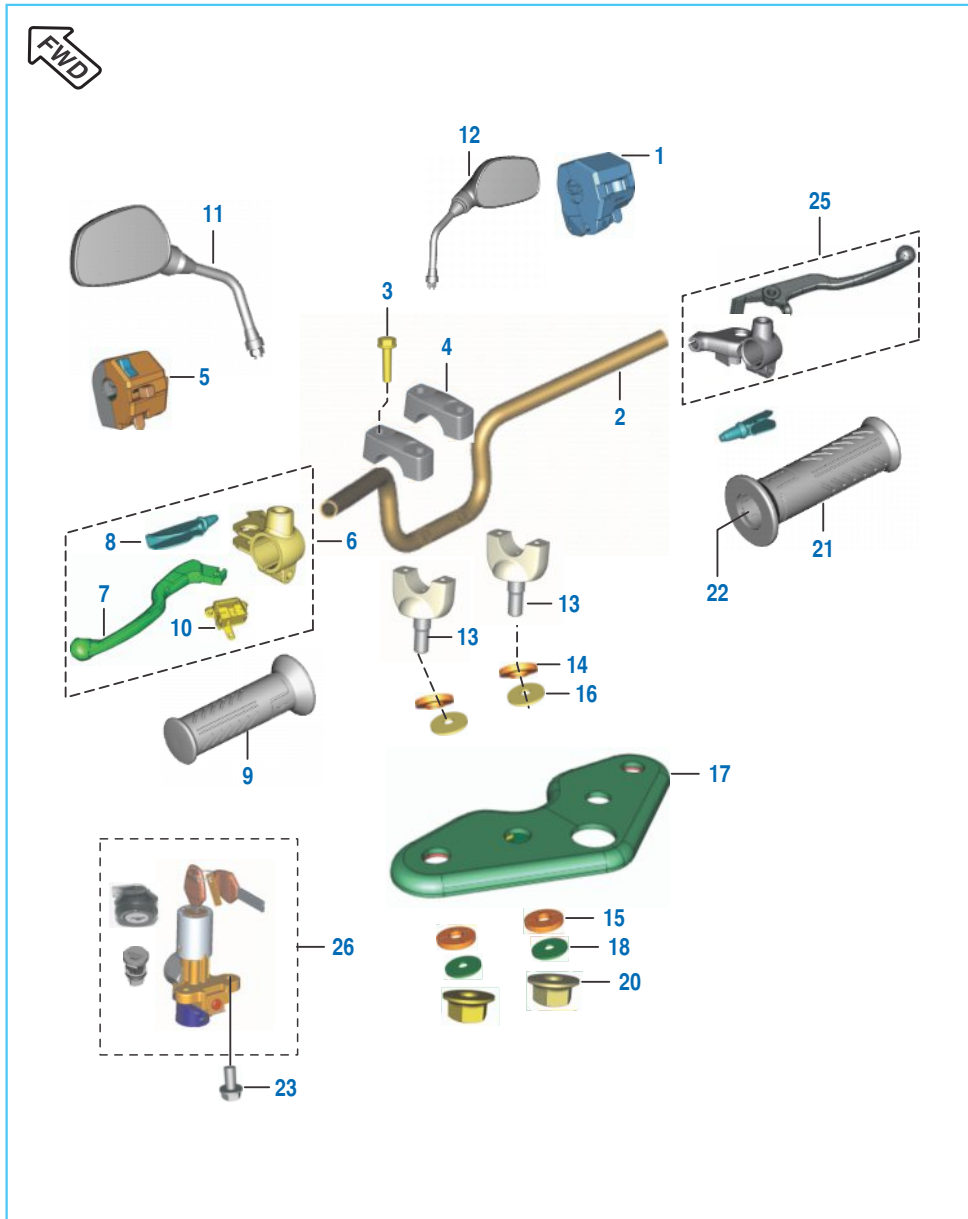
No.	Part No.	Description	Qty.		Remarks
			100M	125M	
1	PA 1610 06	Assly Brake Pedal	1	1	
2	JZ 1610 19	Pad Brake Pedal	1	1	
3	DD 1610 78	Damper	1	1	
6	JD 1610 02	Spring Brake Pedal	1	1	
7	JD 1610 06	Sleeve Brake Return Spring	1	1	
8	PA 1318 25	Brake Rod	1	-	
	PA 1318 50	Brake Rod D105C	-	1	
9	JZ 1318 75	Pin Brake Rod	1	1	
10	39 0198 11	Washer - Plain	1	1	
11	39 0808 08	Pin - Split	1	1	
12	31 2010 79	Rear Brake Switch	1	1	
13	PA 1610 04	Spring Brake Switch	1	1	
15	PF 1220 19	Rod - Torque	1	1	
16	DH 1510 29	Bolt - Step :- Torque Rod	1	1	
17	39 0789 12	Washer - Spring	2	2	
18	39 1540 11	Washer - Plain	1	1	
19	39 0694 15	Nut - Hexagon Lock	2	2	M8 X 1.25
20	30 1510 96	Bolt - Hexagon	1	1	
21	36 DK00 17	Kit Hardware Br Rod	1	1	Refer Page No. 114
22	39 0807 08	Pin - Split	2	2	

Handle Bar Assly



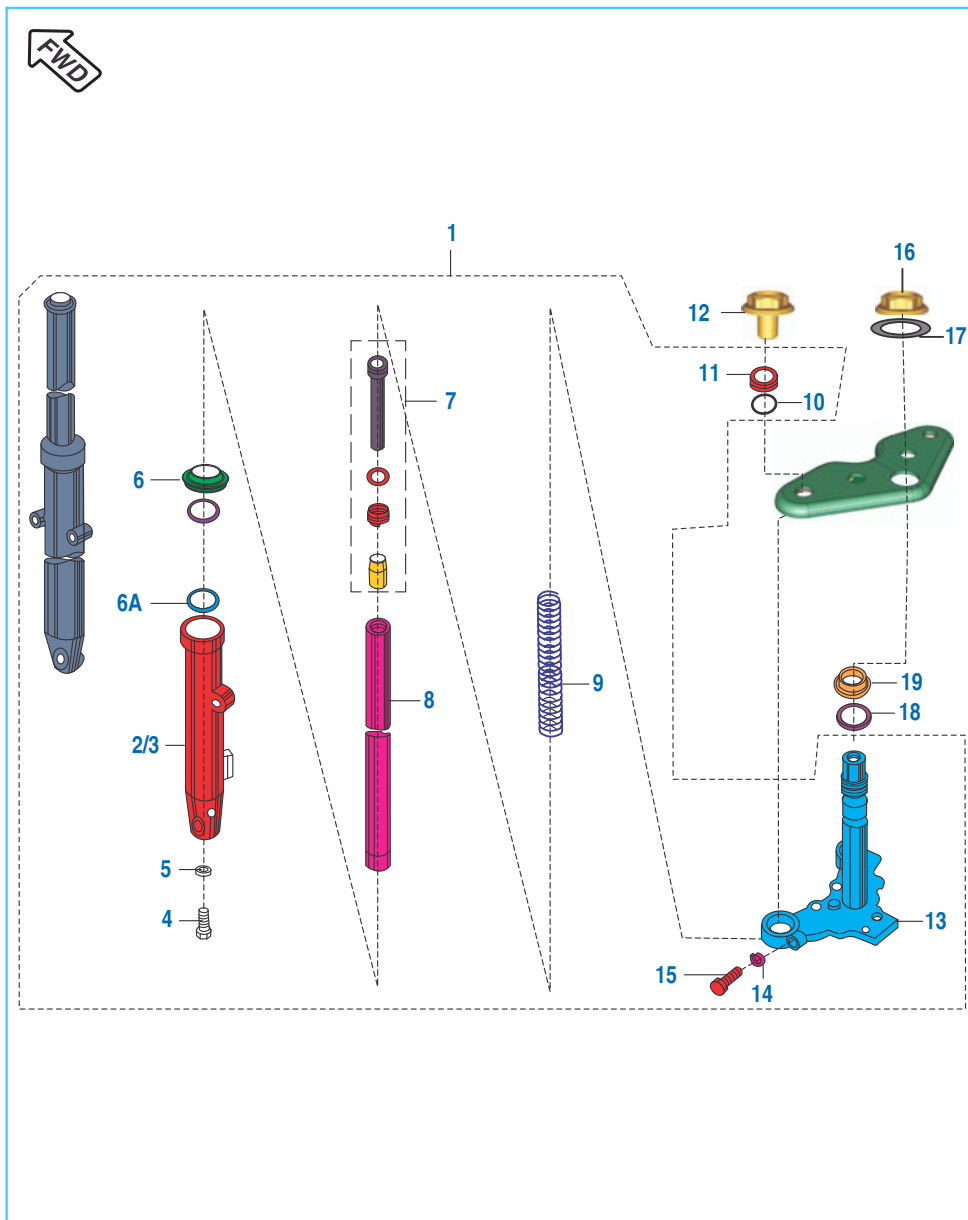
No.	Part No.	Description	Qty.		Remarks
			100M	125M	
1	PA 4014 05	Control Switch RH	1	1	
2	PA 1510 09	Handle Bar	1	-	
	PA 1510 20	Handle Bar	--	1	
3	39 1074 04	Bolt - Flanged	4	4	
4	FD 1810 30	Holder Handle Upper	2	2	
5	JB 4014 00	Control Switch LH	1	1	
6	JZ 1610 23	Lever & Support Holder LH	1	1	
7	DJ 1910 83	Lever Grip Left	1	1	
8	DS 1910 52	Lever Boot LH For	1	1	
9	PA 1510 13	Hand Grip LH	1	1	
10	JZ 4014 03	Clutch Switch	1	1	
11	PA 2316 00	Mirror LH	1	1	
12	PA 2316 01	Mirror RH	1	1	
13	FD 1810 31	Holder Handle Lower	2	2	
14	FD 1810 20	Washer Plain	2	2	
15	FD 1810 19	Washer	2	2	
16	DF 1810 91	Damper Upper	2	2	
17	PA 1510 11	Holder Fork Upper	1	1	
18	DF 1810 92	Damper Lower	2	2	
19	DD 2011 70	Front Brake Switch With Lever	1	1	N.I.
20	39 2249 15	Nut	2	2	
21	PA 1510 14	Hand Grip RH	1	1	
22	DX 1910 01	Pipe Throttle	1	1	
23	39 1912 04	Bolt Flange	2	2	

Handle Bar Assly



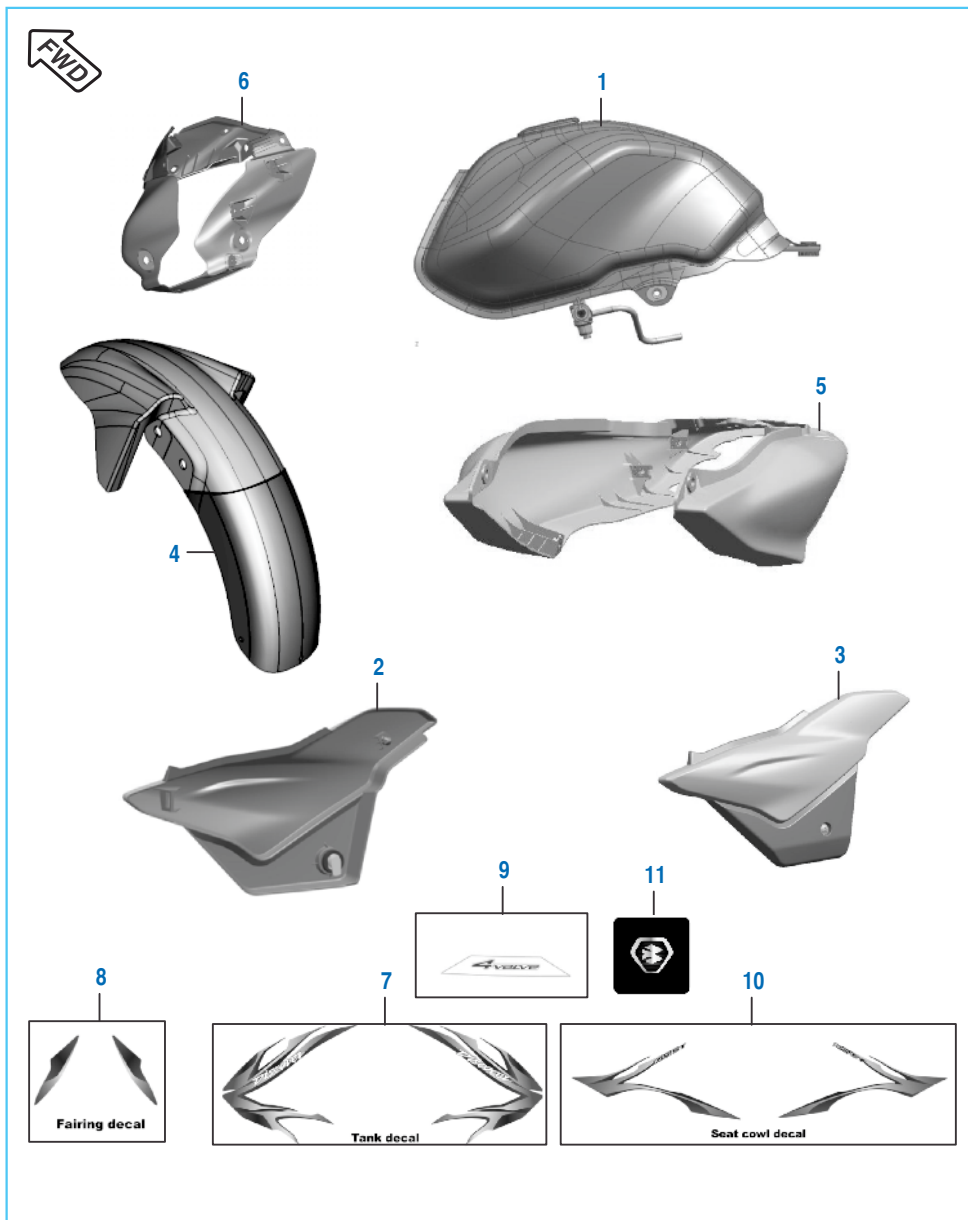
No.	Part No.	Description	Qty.		Remarks
			100M	125M	
24	30 1910 48	Band	2	2	N.I.
25	DX 1910 09	Lever Assembly RH	1	1	
26	YP A130 01	Lock Set - D100M	1	1	Refer Ser. Cir. A-24
	YP A130 14	Lock Set - D100M	1	1	

Front Fork



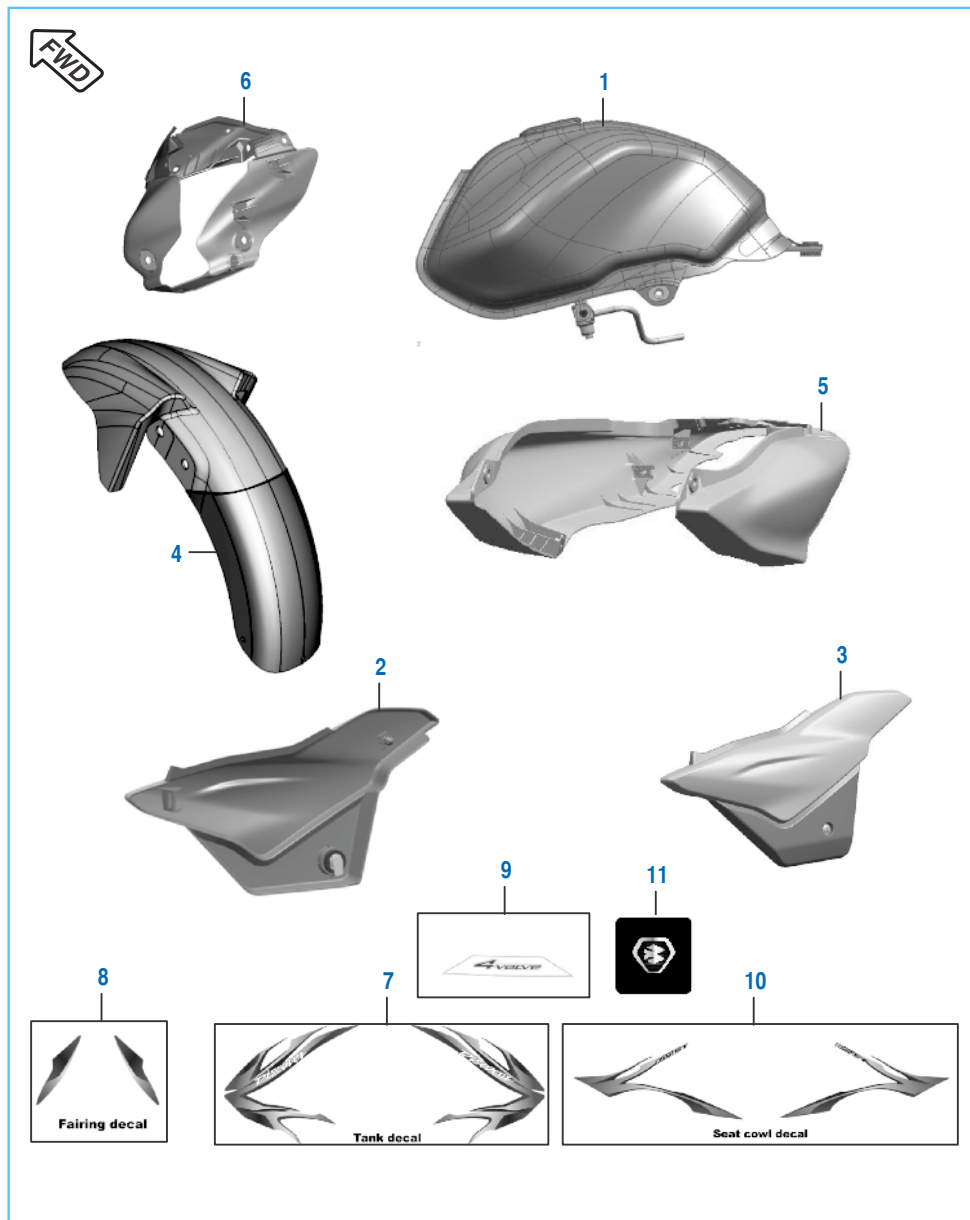
No.	Part No.	Description	Qty.		Remarks
			100M	125M	
1	PA 1210 30	Assly Front Fork	1	1	Drum Brake
	PA 1210 36	Assly Front Fork	1	1	Disc Brake
2	PA 1210 34	Tube Outer LH	1	1	Drum Brake
	PA 1210 39	Tube Outer LH	1	1	Disc Brake
3	PA 1210 35	Tube Outer RH	1	1	Drum Brake
	PA 1210 40	Tube Outer RH	1	1	Disc Brake
4	30 1810 25	Socket Head Bolt	2	2	
5	30 1810 26	Gasket	2	2	
6	DD 1810 32	Seal Dust	2	2	
6A	DL 1810 80	Seal Oil	2	2	
7	36 PA01 21	Kit Cylinder Fork	2	2	Refer page no. 113
8	PA 1210 42	Fork Pipe Spinning	2	2	
9	PA 1210 17	Spring Main	2	2	
10	30 1810 29	'O' Ring	2	2	
11	DS 1810 12	Bolt Fork	2	2	
12	59 0400 06	Hex Bolt	2	2	
13	PA 1210 46	Assembly Under Bracket	1	1	Drum Brake
	JZ 1210 15	Assembly Under Bracket	1	1	Disc Brake
14	39 0789 12	Washer Spring	2	2	
15	39 1181 01	Bolt Hexagon Head M8X40	2	2	
16	DS 1810 15	Cap Nut Fork	1	1	
17	DS 1810 16	Plain Washer	1	1	
18	JZ 1510 81	Washer Head Pipe Bottom	1	1	
19	JZ 1510 91	Seal Dust	1	1	

Painted Parts and Decals-D100 M



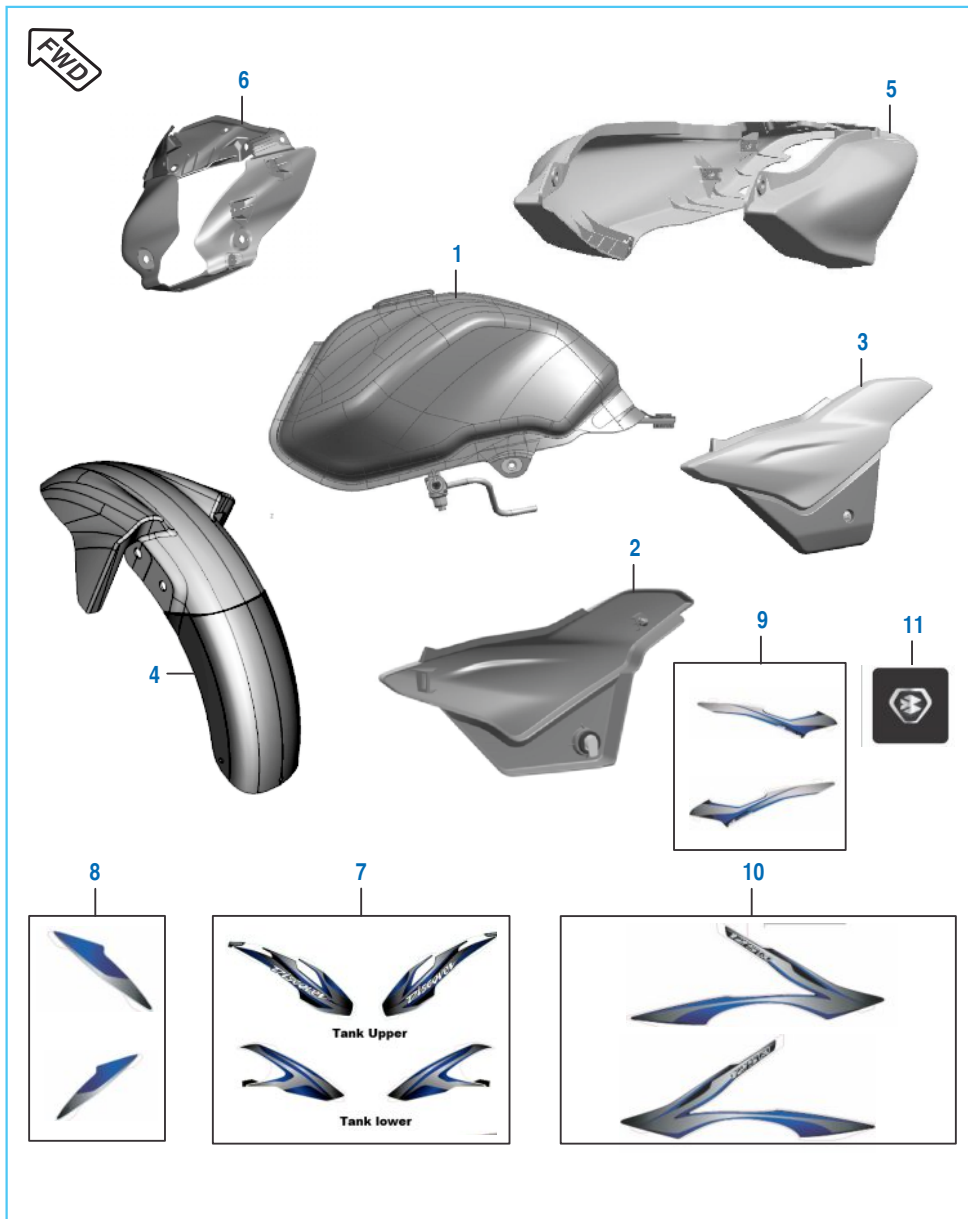
No.	Part No.	Description	Qty.		Remarks
			100M	125M	
1	PA 7104 5V	Fuel Tank Olive Yellow Dcl	1	--	
	PA 7104 5W	Fuel Tank Cerulean Blue Dcl	1	--	
	PA 7104 3C	Fuel Tank Mn Red Dcl	1	--	
	PA 7104 3F	Fuel Tank Flame Red Dcl	1	--	
	PA 7104 5R	Fuel Tank Brilliant Blue Dcl	1	--	
2	PA 7403 5V	Side Panel LH Olive Yellow Dcl	1	--	
	PA 7403 5W	Side Panel LH Cerulean Blue Dcl	1	-	
	PA 7403 3C	Side Panel LH Black Red Dcl	1	--	
	PA 7403 3F	Side Panel LH Flame Red Dcl	1	--	
	PA 7403 5R	Side Panel LH Br. Blue Red Dcl	1	--	
3	PA 7404 5V	Side Panel RH Olive Yellow Dcl	1	--	
	PA 7404 5W	Side Panel RH Cerulean Blue Dcl	1	--	
	PA 7404 3C	Side Panel RH Black Red Dcl	1	--	
	PA 7404 3F	Side Panel RH Flame Red Dcl	1	--	
	PA 7404 5R	Side Panel RH Br. Blue Dcl	1	--	
4	JZ 7306 5J	Front Fender Midnight Black	1	--	
	PA 7204 3B	Front Fender Painted Black	1	-	
	JZ 7306 3F	Fender Front Flame Red	1	-	
	JZ 7306 5R	Front Fender Brilliant Blue	1	-	
5	PA 7504 5V	S Cowl Black - Olive Yellow Dcl	1	-	
	PA 7504 5W	S Cowl Black - Cer blue Dcl	1	--	
	PA 7504 3C	S Cowl Painted Black Red Dec	1	--	
	PA 7504 3F	S Cowl Painted F Red Decal	1	-	
	PA 7504 5R	S Cowl Painted Br Blue Dcl	1	--	

Painted Parts and Decals-D100 M



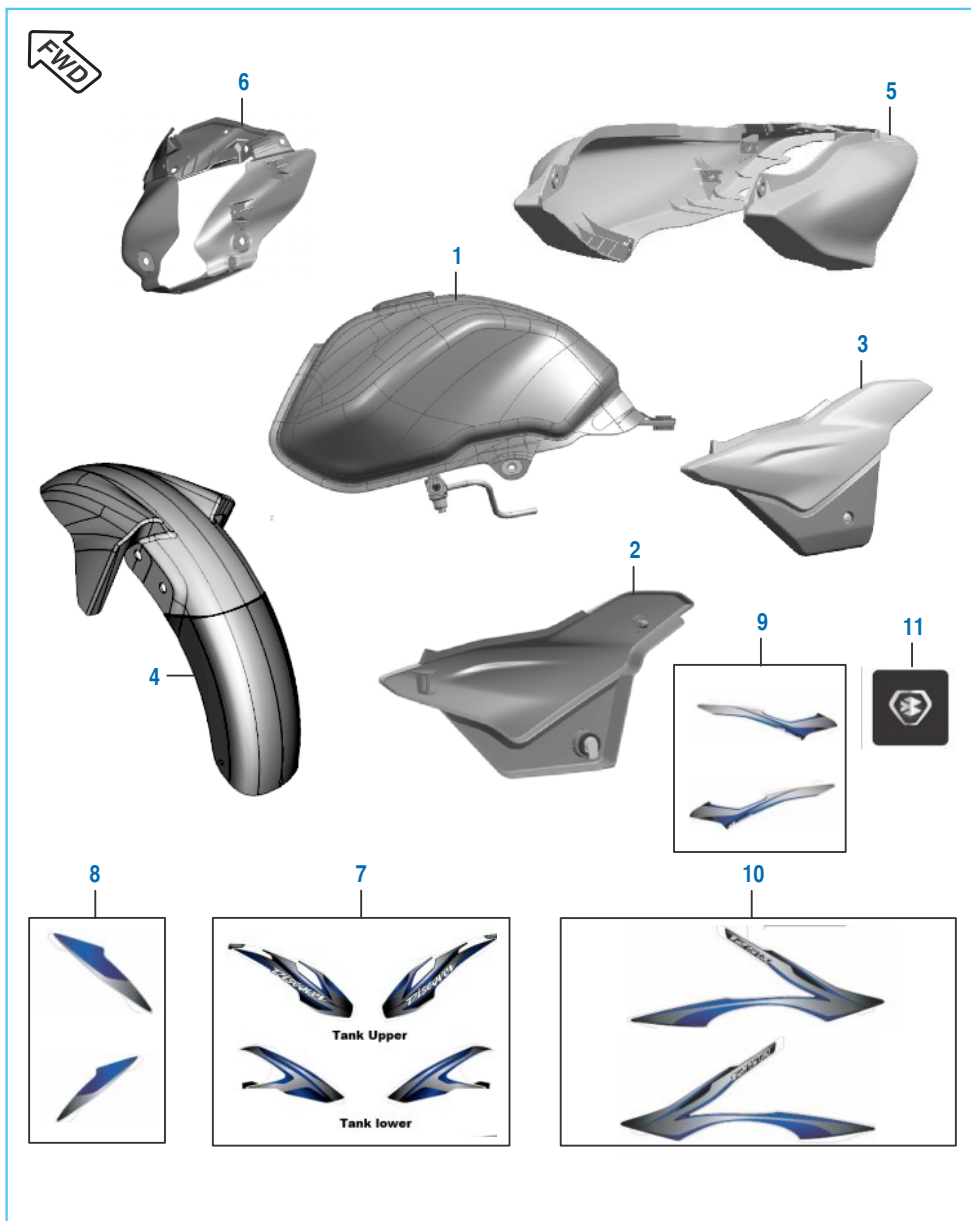
No.	Part No.	Description	Qty.		Remarks
			100M	125M	
6	PA 7405 5V	Fairing Black Olive Yellow Dcl	1	--	
	PA 7405 5W	Fairing Black Cerulean blue Dcl	1	--	
	PA 7405 3C	Fairing Black Red Dcl	1	--	
	PA 7405 3F	Fairing Flame Red Dcl	1	--	
	PA 7405 5R	Fairing Br. Blue Red Dcl	1	--	
7	PA 2332 27	Kit Tank Dcl Olive Yellow	1	--	
	PA 2331 38	Kit Tank Dcl Black Cerulean Blue	1	--	
	PA 2331 26	Kit Tank Dcl Black Red	1	--	
	PA 2331 39	Kit Tank Dcl Blue	1	--	
	PA 2331 42	Kit Tank Decal Red	1	--	
8	36 PA01 28	Kit Fairing Dcl Olive Yellow	1	--	
	36 PA01 29	Kit Fairing Dcl Cerulean Blue	1	--	
	36 Pa01 30	Kit Fairing Dcl Black Red	1	--	
	36 PA01 31	Kit Fairing Dcl Blue	1	--	
	36 PA01 32	Kit Fairing Dcl Red	1	--	
9	36 PA01 33	Kit Side Dcl Cover Olive Yellow	1	--	
	36 PA01 34	Kit Side Dcl Black Cerulean Blue	1	--	
	36 PA01 35	Kit Side Dcl Black Red	1	--	
	36 PA01 36	Kit Side Dcl Blue	1	--	
	36 PA01 37	Kit Side Dcl Red	1	--	
10	36 PA01 38	Kit S Cowl Dcl Olive Yellow	1	--	
	36 PA01 39	Kit S Cowl Dcl Cerulean Blue	1	--	
	36 PA01 40	Kit S Cowl Dcl Black Red	1	--	
	36 PA01 41	Kit S Cowl Dcl Blue	1	--	
	36 Pa01 42	Kit S Cowl Dcl Red	1	--	
11	JZ 2331 77	Fairing Decal B Logo	1	1	

Painted Parts and Decals-D125 M



No.	Part No.	Description	Qty.		Remarks
			100M	125M	
1	52 PA05 24	Fuel Tank EI. Blue Wh Decal	--	1	
	52 PA05 25	Fuel Tank Wine Red Wh Decal	--	1	
	52 PA05 38	Fuel Tank C Black Dcl (MGN SIL)	--	1	
	52 PA05 39	Fuel Tank C Black Dcl (GR SIL)	--	1	
	52 PA05 72	Fuel Tank Pl. Sil Gold Black Dec	--	1	
	52 PA05 71	Fuel Tank Pl. Sil Ice Blue Bl. Dec	--	1	
2	52 PA05 16	S Cover LH EI. Blue Wh Dcl	--	1	
	52 PA05 17	S Cover LH Wine Red Wh Dcl	--	1	
	52 PA05 28	S Cover LH C Blk Dcl (MG SIL.)	--	1	
	52 PA05 29	S Cover LH C Blk Dcl (GR. SIL)	--	1	
	52 PA05 63	S Cover LH Pla Blue Decal	--	1	
	52 PA05 65	S Cover LH Pla Sil Gold Decal	--	1	
3	52 PA05 19	S Cover RH Wine Red Wh Dcl	--	1	
	52 PA05 18	S Cover RH EI. Blue Wh Dcl	--	1	
	52 PA05 30	S Cover RH C Blk Dcl (MGN SIL)	--	1	
	52 PA05 31	S Cover RH C Blk Dcl (GR SIL)	--	1	
	52 PA05 68	S Cover RH Pla Sil Wh Blue Dcl	--	1	
	52 PA05 69	S Cover RH Pla Sil Wh Gold Dcl	--	1	
4	56 Pa05 3E	Fr. Fender Electron	--	1	
	56 PA05 6C	Fr. Fender Wine Red	--	1	
	56 PA05 6D	Fr. Fender Charcoal	--	1	
	56 PA05 6E	Fr. Fender Platinum	--	1	
5	52 PA05 20	S Cowl EI. Blue Wh Dcl	--	1	
	52 PA05 21	S Cowl Wine Red Wh Dcl	--	1	
	52 PA05 32	S Cowl C Blk Dcl (MGN SIL)	--	1	
	52 PA05 33	S Cowl C Blk Dcl (GR SIL)	--	1	

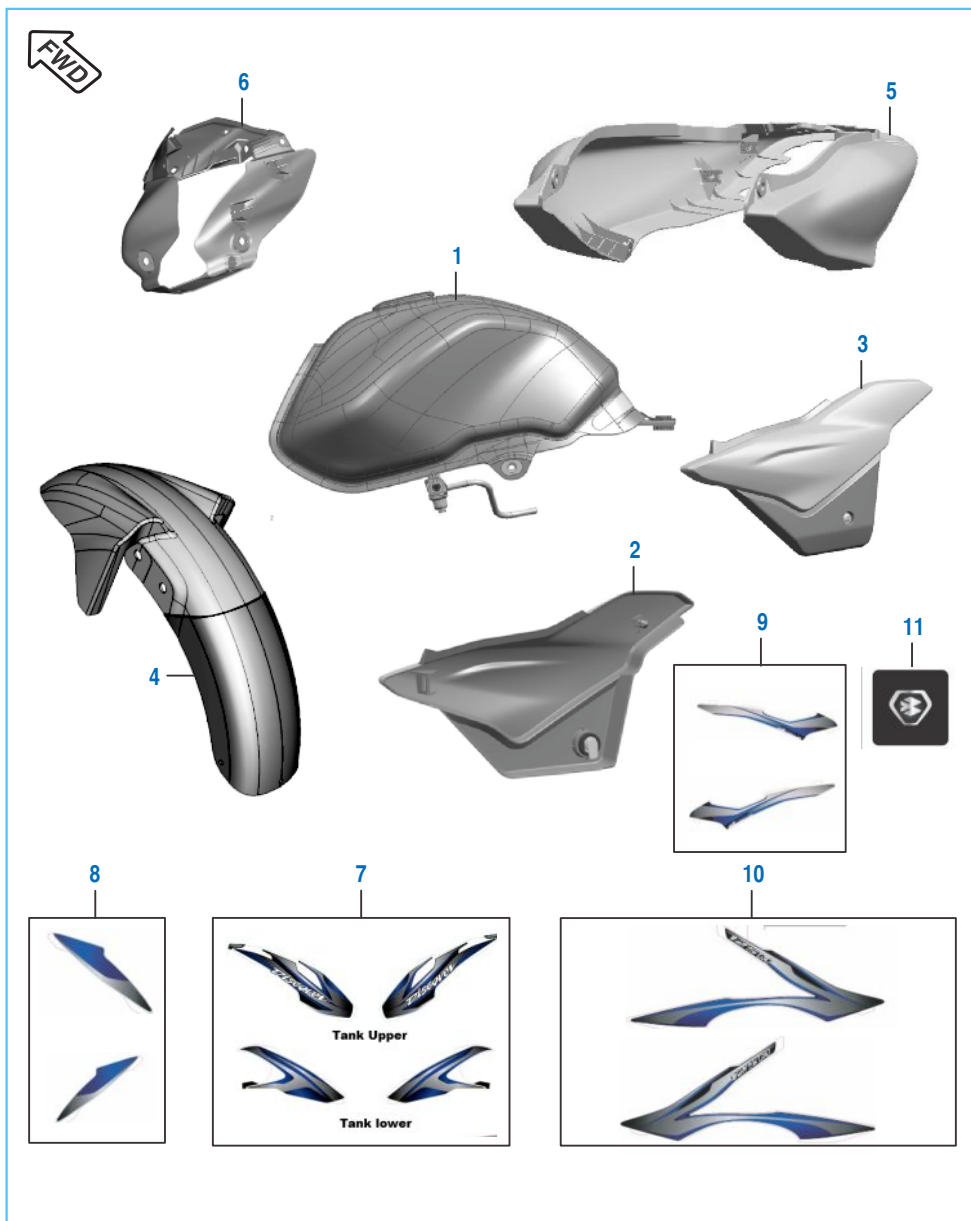
Painted Parts and Decals-D125 M



No.	Part No.	Description	Qty.		Remarks
			100M	125M	
	52 PA05 61	S Cowl Pla Silver Wh Gold Dcl	--	1	
	52 PA05 60	S Cowl Pla Silver With Dcl	--	1	
6	52 PA05 22	Fairing El. Blue Wh Decal	--	1	
	52 PA05 23	Fairing Wine Red Wh Decal	--	1	
	52 PA05 36	Fairing C Blk Dcl (MGN SIL)	--	1	
	52 PA05 37	Fairing C Blk Dcl (GR SIL)	--	1	
	52 PA05 55	Fairing Pla Silver Wh Gold Bk	--	1	
	52 PA05 54	Fairing Pla Silver Ice Blue Black	--	1	
7	PA 2332 47	Kit Tank Dcl-Blue	--	1	
	PA 2332 59	Kit Tank Dcl-Red	--	1	
	PA 2332 71	Kit Tank Dcl-Magenta	--	1	
	PA 2332 83	Kit Tank Dcl-Green	--	1	
	JZ 2332 01	Kit Tank Dcl-p Silver-ice Blue	--	1	
	JZ 2332 13	Kit Tank Dcl-p Silver-gold Black	--	1	
8	36 PA01 60	Kit Fairing Dcl-blue	--	1	
	36 PA01 69	Kit Fairing Dcl-green	--	1	
	36 PA01 66	Kit Fairing Dcl-magenta	--	1	
	36 PA01 63	Kit Fairing Dcl-red	--	1	
	36 PA01 72	Kit Fairing Dcl-P Silver-ice Blue	--	1	
	36 PA01 75	Kit Fairing Dcl-P Silver-gold BI	--	1	
9	36 PA01 61	Kit Side Cover Dcl-blue	--	1	
	36 PA01 64	Kit Side Cover Dcl-red	--	1	
	36 PA01 70	Kit Side Cover Dcl-green	--	1	
	36 PA01 67	Kit Side Cover Dcl-magenta	--	1	
	36 PA01 73	Kit Side Cover Dcl-P Silver-Blue	--	1	
	36 PA01 76	Kit Side Cover Dcl-P Silver-Gold	--	1	

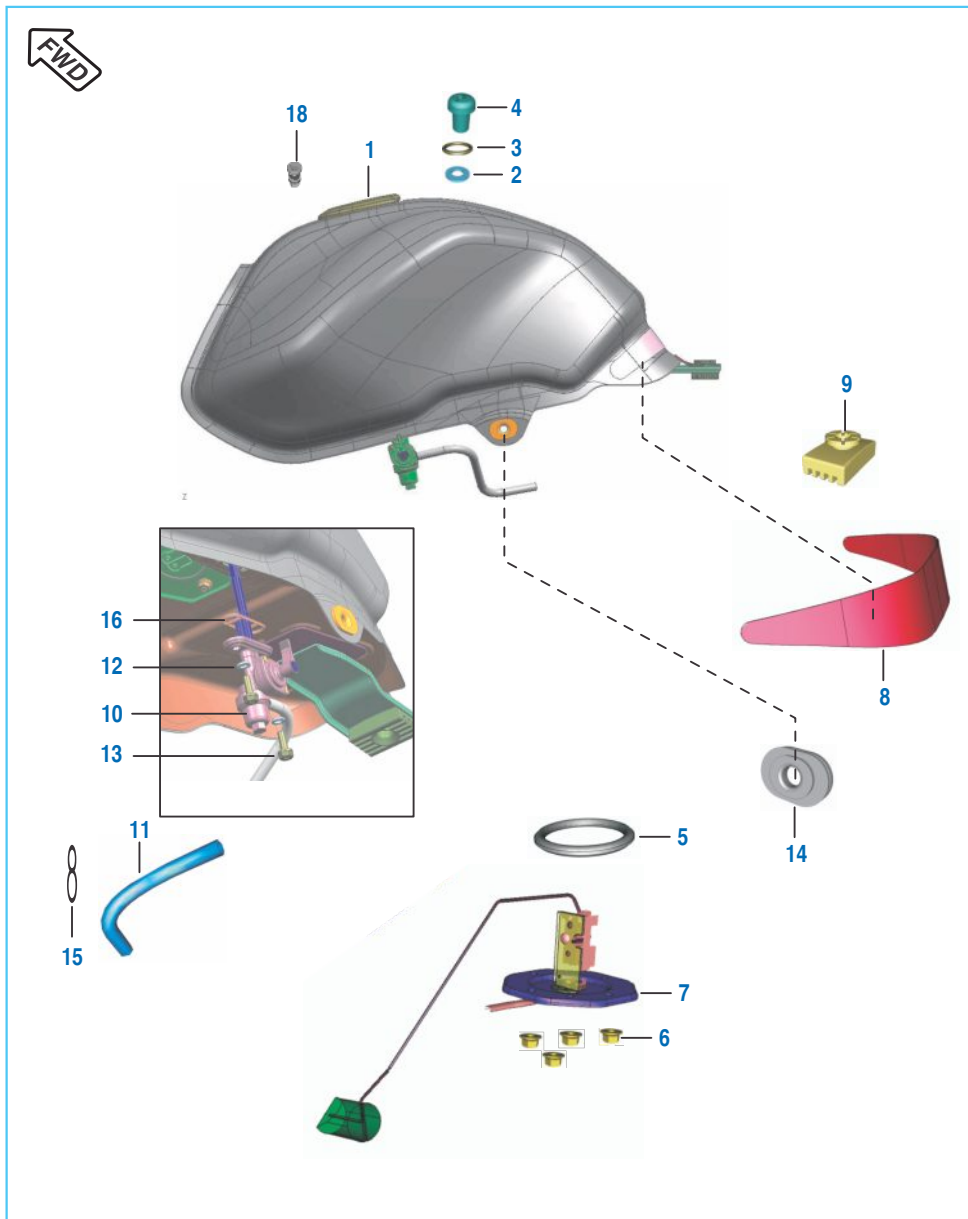


Painted Parts and Decals-D125 M



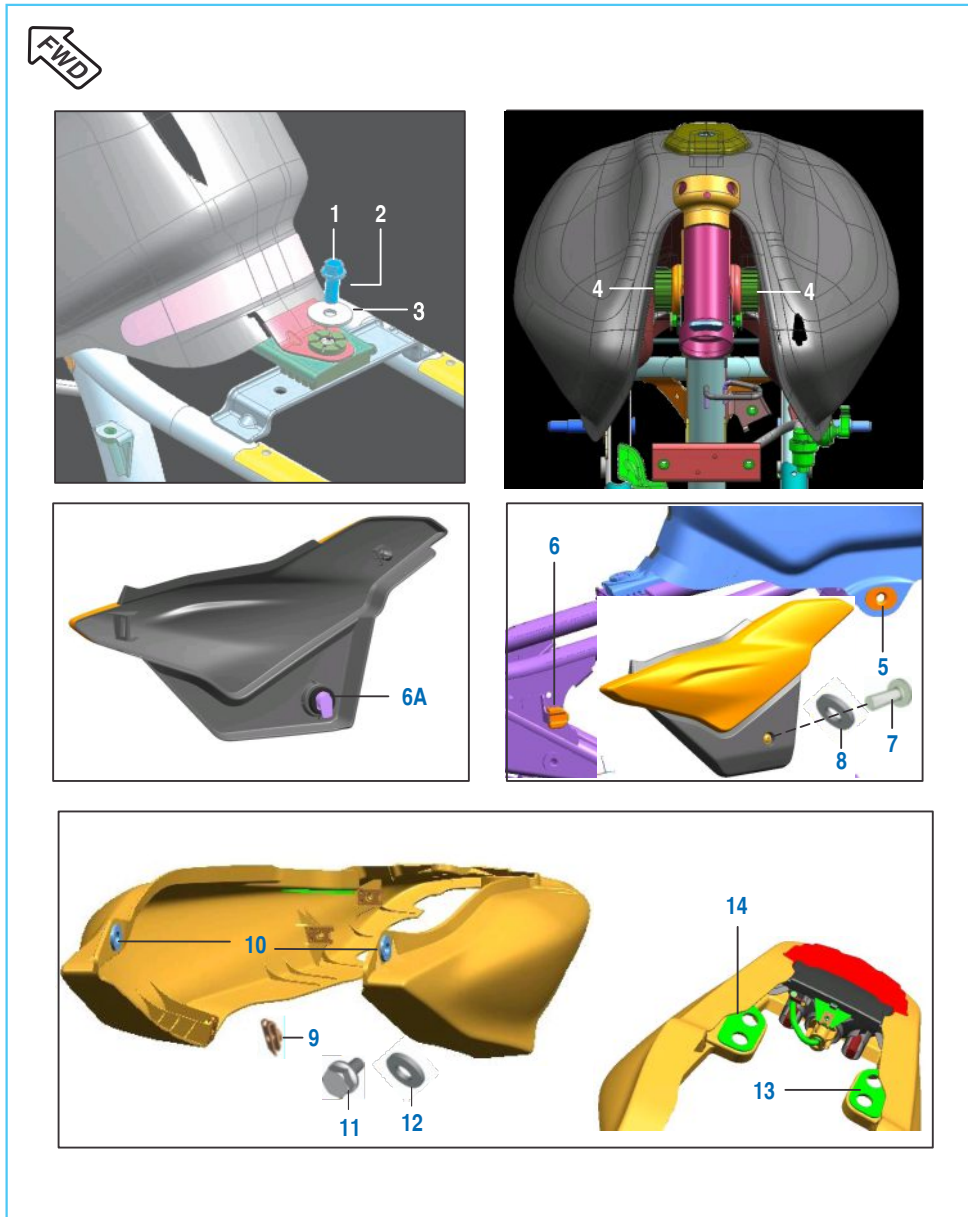
No.	Part No.	Description	Qty.		Remarks
			100M	125M	
10	36 PA01 68	Kit S Cowl Dcl-magenta	--	1	
	36 PA01 71	Kit S Cowl Dcl-green	--	1	
	36 PA01 62	Kit S Cowl Dcl-blue	--	1	
	36 PA01 65	Kit S Cowl Dcl-red	--	1	
	36 PA01 74	Kit S Cowl Dclp Silver-ice Blue	--	1	
	36 PA01 77	Kit S Cowl Dcl-p Silver-gold BI	--	1	
11	JZ 2331 77	Fairing Decal B Logo	1	1	

Petrol Tank, Cap Tank and Gauge Fuel



No.	Part No.	Description	Qty.		Remarks
			100M	125M	
1	JZ 1710 04	Cap Fuel Tank	1	1	
2	39 2179 24	Washer	2	2	
3	30 1410 31	Ring - 'O'	2	2	
4	39 0761 01	Screw Pan Cross - M5	2	2	
5	39 2758 21	Ring - O I.D. 40 X 5	1	1	
6	39 2484 15	Nut - Flange :- M5	4	4	
7	PA 4026 01	Gauge Fuel Tank	1	1	
8	PA 1710 17	Tape Seat	1	1	
9	JD 1110 52	Grommet Tank mtg	1	1	
10	JZ 1718 09	Fuel Tap	1	1	
11	JZ 1718 22	Pipe Fuel	1	1	
12	39 0740 11	Washer (Non-Metallic)	2	2	
13	DD 1412 27	Bolt - Flanged	2	2	
14	DS 1410 12	Grommet Side Cover	2	2	
15	DK 1410 41	Pipe Clip	2	2	
16	30 1410 39	Packing	1	1	
17	DZ 1410 75	4 Valve Washer	1	1	N.I.
18	DH 1410 48	Rotor - Cap Lock	1	1	

Fittings - Petrol Tank Cover, Side Covers & Cover Seat



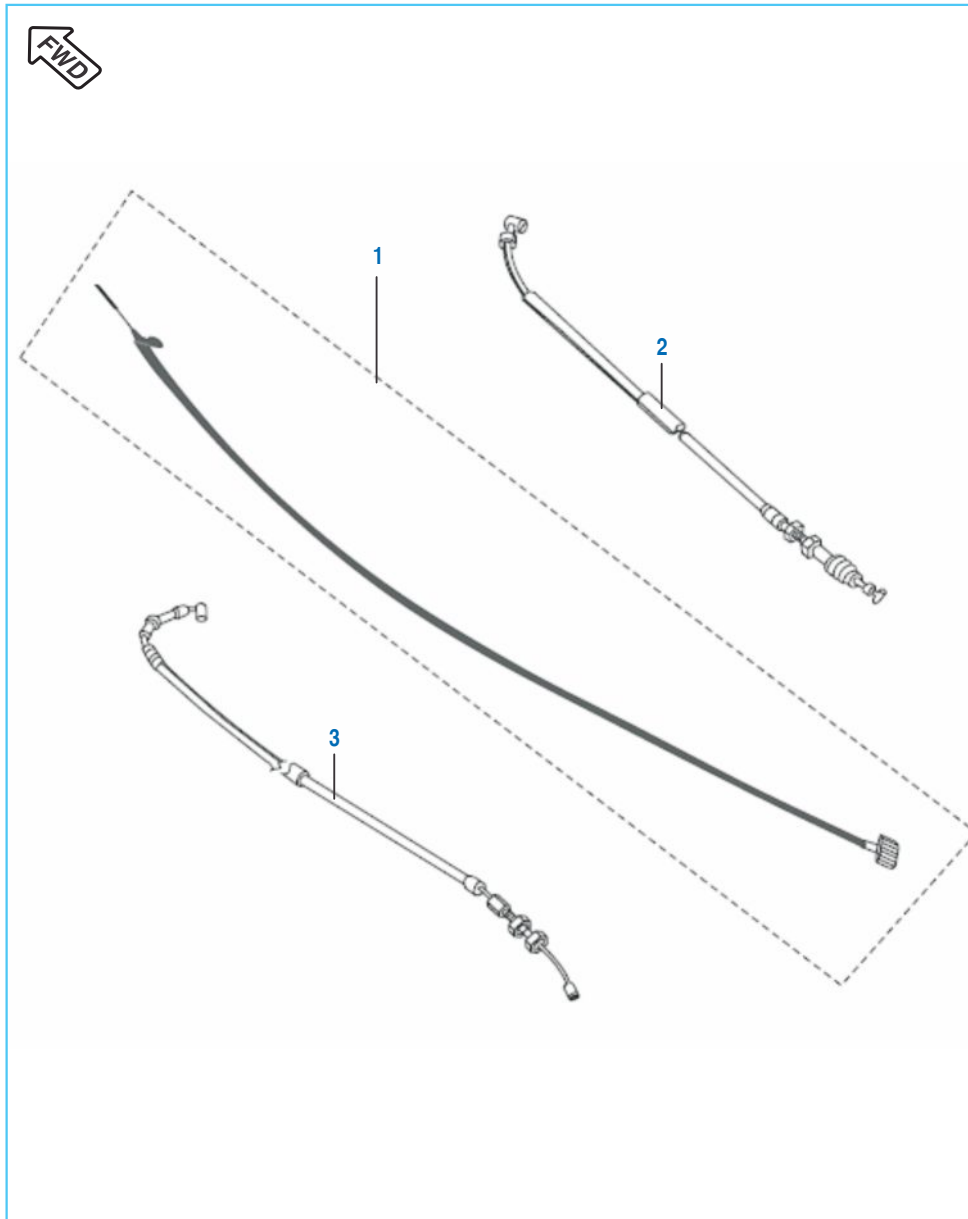
No.	Part No.	Description	Qty.		Remarks
			100M	125M	
1	39 1951 04	Bolt Flange	1	1	
2	39 2424 11	Plain Washer	1	1	
3	JD 1110 52	Grommet Tank Mtg	1	1	
4	DJ 1410 08	Damper - Front	2	2	
5	DS 1410 12	Grommet- Side Cover: Fr	2	2	
6	JZ 1813 22	Grommet Side / C Rear	2	2	
6A	DU 1611 02	Damper For Lock	1	1	
7	DG 1611 21	Screw	1	1	
8	39 1789 24	Washer - Nylon	1	1	
9	DJ 1612 29	Clip Nut M5	2	2	
10	JL 1812 19	Grommet -1 Seat Cowl	2	2	
11	KA DD06 14	Bolt M6 X 12	2	2	
12	39 0722 11	Plain Washer	2	2	
13	PA 1812 95	Foam Seat Cowl LH	1	1	
14	PA 1812 96	Foam Seat Cowl RH	1	1	
15	LB U000 07	Screww Struss	2	2	
16	DH 1612 31	Lock With Key Side Cover	1	1	

Meter Assembly



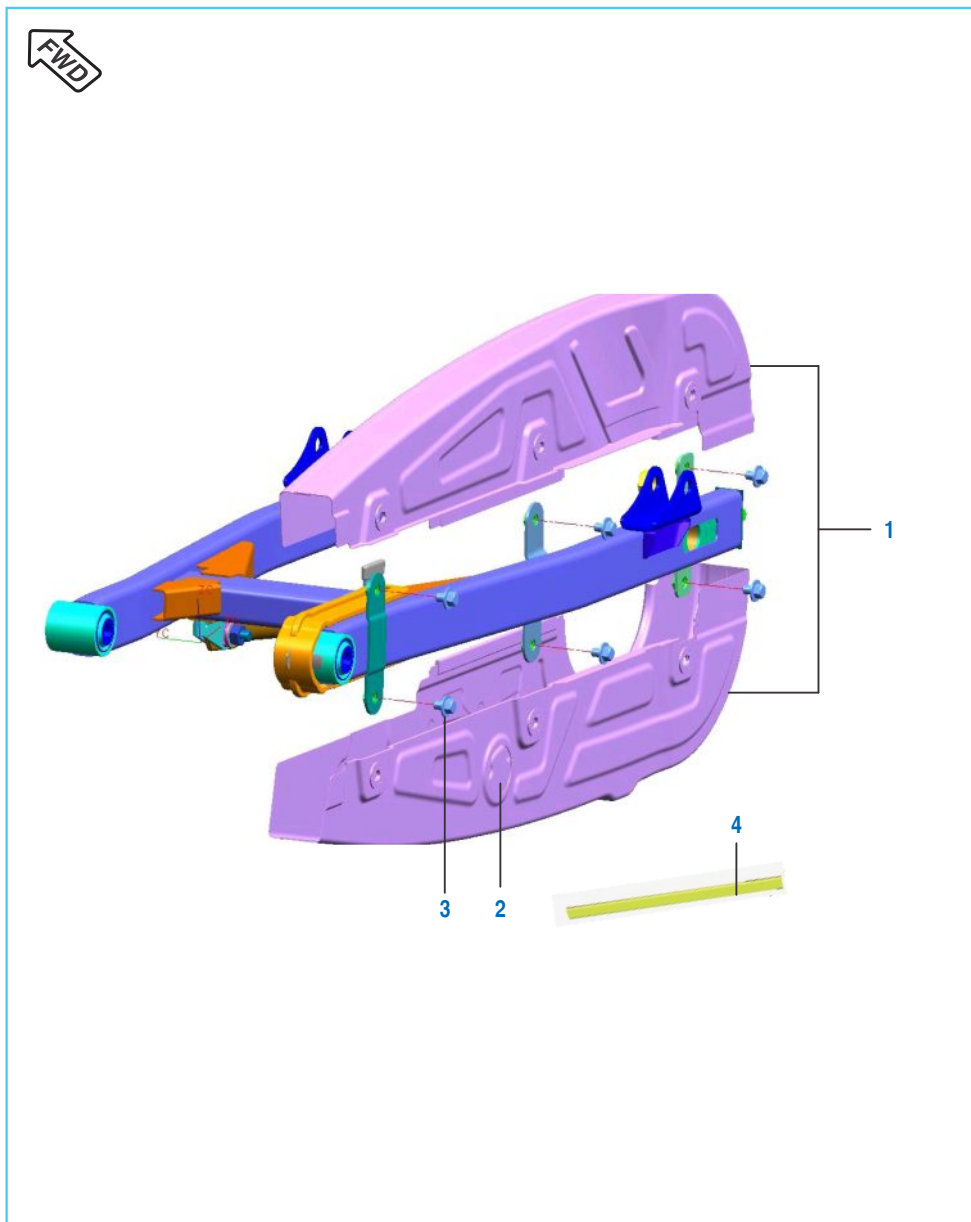
No.	Part No.	Description	Qty.		Remarks
			100M	125M	
1	PA 1812 80	Speedo Flap	1	1	
2	PA 1812 83	Bracket Upper Pivot Mounting	1	1	
3	PA 4024 23	Speedometer Assembly	1	-	
4	PA 4024 40	Speedometer Assembly	1	1	Refer Ser. Cir. A-29
	CM 2010 54	Lamp 12V,2W	4	4	For Minda Speedometer
5	CM 2010 54	Lamp 12V,2W	5	5	For JNS Speedometer
	LA D000 95	Bolt Flange M5	2	2	Flap Mounting
6	KA DB05 16	Bolt Flanged	1	1	Flap Mounting
7	DS 1612 87	Bolt Flange	2	2	
8	YP A130 04	SPD MTR With Dail-Minda-D100M	1	---	Refer Ser. Cir. A-29
	YP A150 02	SPD MTR With Dail-Minda-D125M	1	1	
	YP A130 15	SPD MTR With Dail-JNS D100M	1	1	
9	YP A130 05	Fuel Gauge With Dail Minda	1	1	
	YP A130 16	Fuel Gauge With Dail JNS	1	1	
10	YP A130 06	SPD MTR Top Cover Minda	1	1	
	YP A130 17	SPD MTR Top Cover JNS	1	1	
11	YP A130 07	SPD MTR Harness Minda D100M	1	-	
	YP A150 03	SPD MTR Harness Minda D125M	-	1	
	YP A130 18	SPD MTR Harness JNS D100M	1	1	
12	YP A130 08	Sealing Ring Meter Minda D100M	1	1	
13	YP A130 09	Sealing Ring Top Cover Minda	1	1	
	YP A130 19	Sealing Ring Top Cover JNS	1	1	
14	YP A130 10	SPD MTR Back Cover Minda	1	1	
	YP A130 20	SPD MTR Back Cover JNS	1	1	
15	PA 4010 18	LED Bajaj Logo - Minda	1	1	
16	YP A130 21	SPD Housing - Minda - D100M	1	1	
	YP A130 22	SPD Housing - JNS - D100M	1	1	

Control Cables



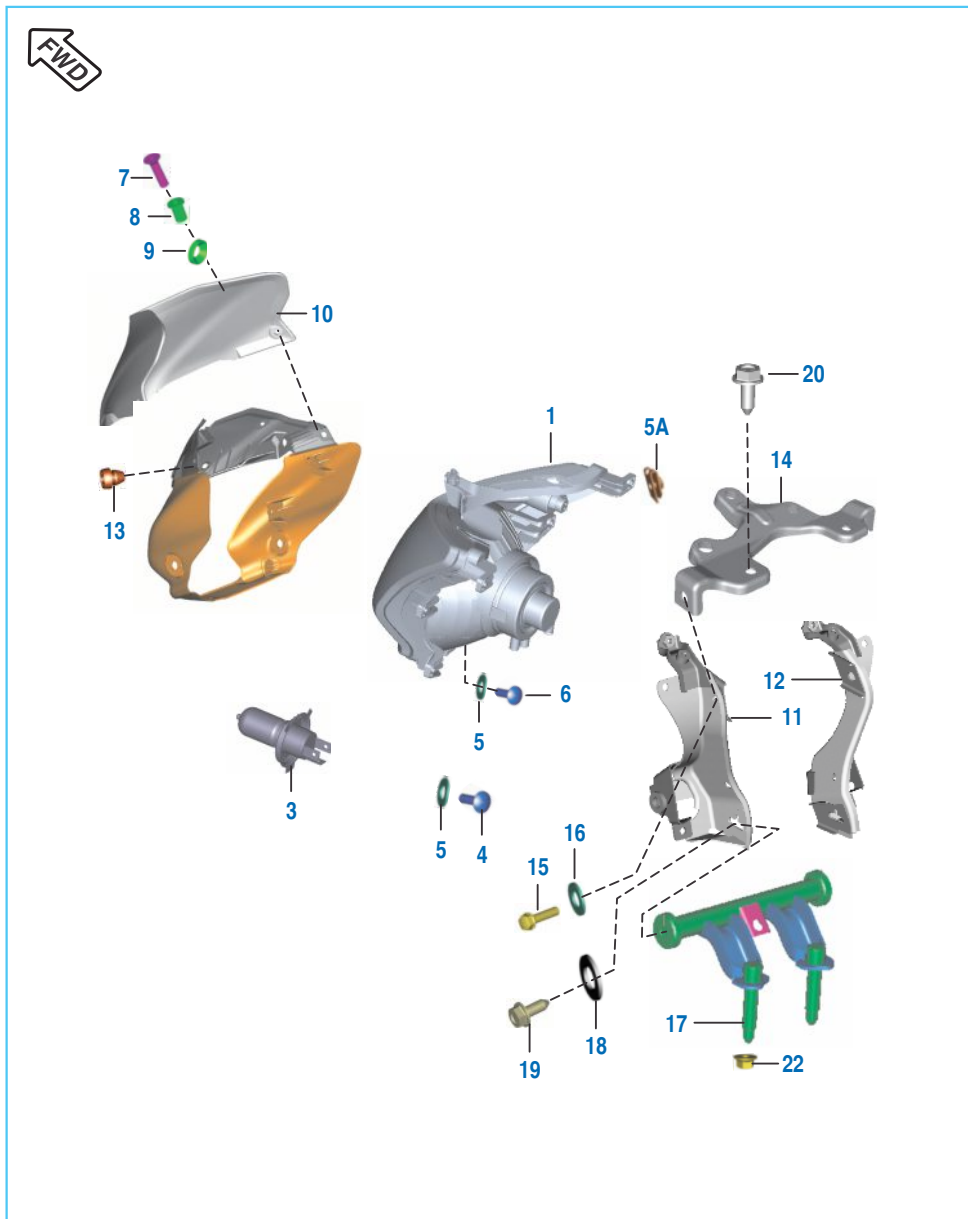
No.	Part No.	Description	Qty.		Remarks
			100M	125M	
1	JZ 1612 10	Cable Speedometer	1	1	
2	PA 1612 03	Cable Accelerator	1	-	
	PA 1612 15	Cable Accelerator	--	1	
3	PA 1612 09	Cable Clutch	1	1	
4	PA 1612 08	Cable Brake	1	1	N.I.

Chain Case



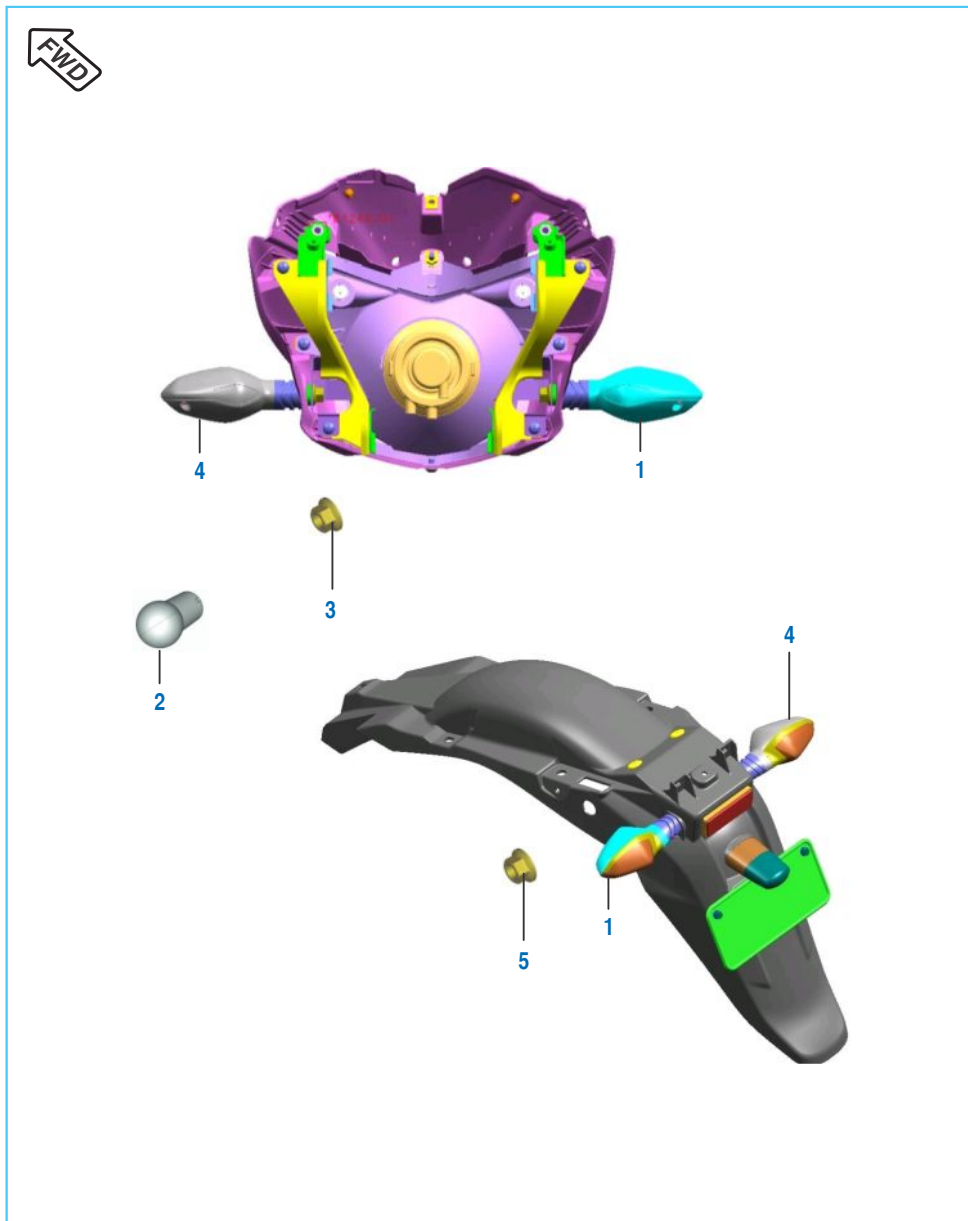
No.	Part No.	Description	Qty.		Remarks
			100M	125M	
1	36 PA01 22	Kit Chain Case	1	--	Refer Page No. 113
	36 PA01 57	Kit Chain Case	--	1	Refer Page No. 114
2	15 1610 69	Rubber Cap	1	1	
3	LA E000 07	Bolt	6	6	
4	DX 1610 52	Beading Chain Case	1	1	

Head Lamp & Fairing



No.	Part No.	Description	Qty.		Remarks
			100M	125M	
1	YP A130 02	Headlamp W/O Bulb - D100M	1	1	
2	JZ 4010 29	Wiring Harness Head Lamp	1	1	N.I.
3	CL 2010 23	Bulb (12V HS1 35/35W)	1	1	
4	KB UB05 20	Screw - Tapping : 4 X 14	6	6	
5	KD BA05 12	Washer - Plain	8	8	
5A	DJ 1612 29	Clip Nut	8	8	
6	KB UB05 10	Screw Truss	1	1	
7	39 1766 01	Screw - Pan Cross : M5	4	4	
8	JG 1812 36	Nut Well - M5X0.8	4	4	
9	39 2141 24	Washer	4	4	
10	PA 1812 81	Windshield	1	1	
11	PA 1812 76	Fairing Structure LH	1	1	
12	PA 1812 77	Fairing Structure RH	1	1	
13	PA 1813 01	Damper Fairing	2	2	
14	PA 1812 83	Bracket Upper Pivot Mounting	1	1	
15	KA DE06 14	Bolt Flanged	2	2	Bracket Pivot Mtg
16	39 0722 11	Washer Plain	2	2	Bracket Pivot Mtg
17	PA 1812 78	Bracket Lower Hinge Mounting	1	1	
18	PA 1813 05	Washer Special	2	2	
19	LA D000 91	Bolt - Flange M6	2	2	
20	DS 1612 87	Bolt - Flange M6	2	2	
21	DL 1910 20	Lamp 12V 3W	2	2	
22	39 1970 15	Hex Nut M8	2	2	

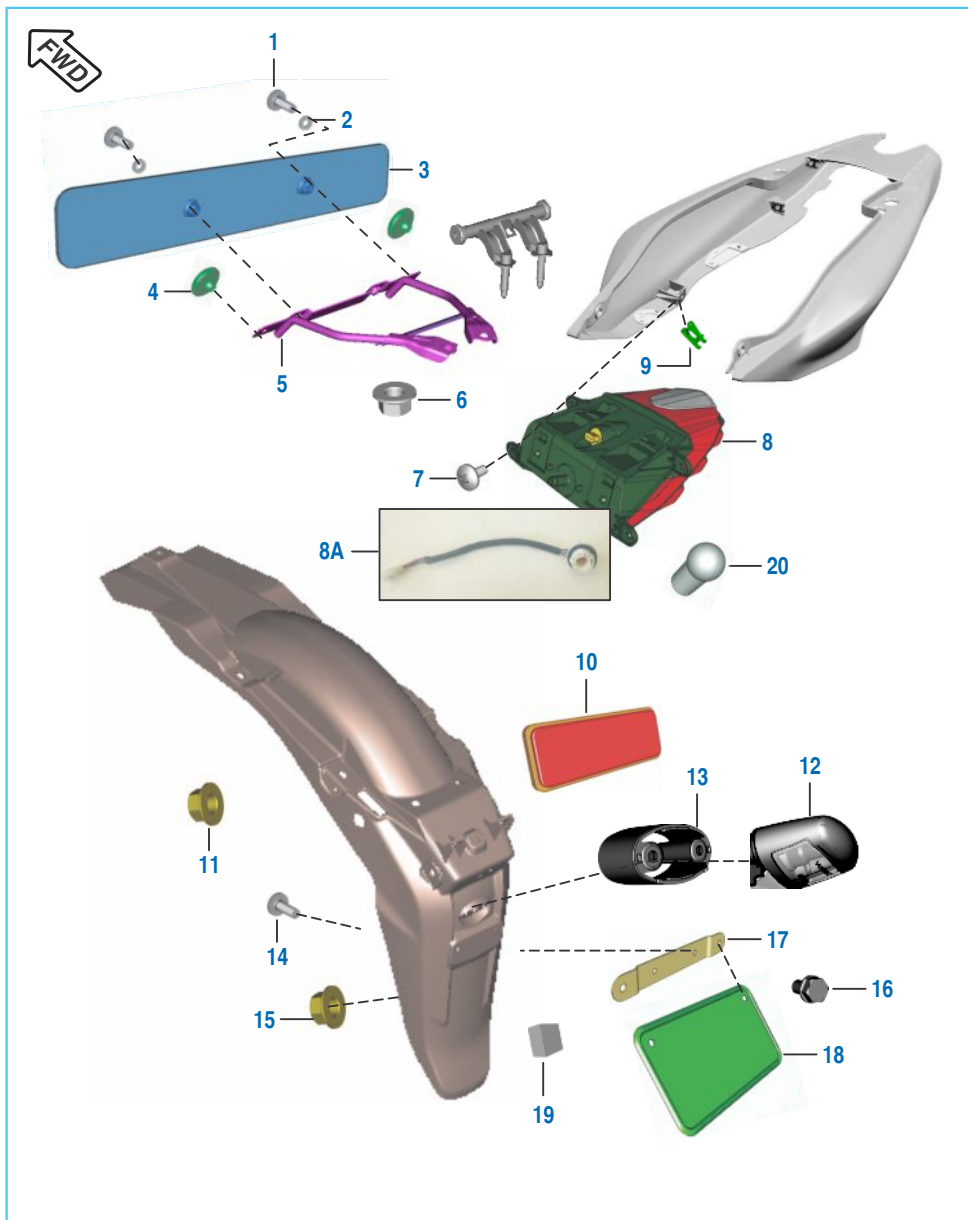
Indicator Light Assembly



No.	Part No.	Description	Qty.		Remarks
			100M	125M	
1	JZ 4010 38	Indicator Fr RH / Rr LH	2	2	
2	GH 2010 12	Lamp 12V-10W	4	4	
3	LC A000 05	Nut Hex M10X1.25	2	2	
4	JZ 4010 39	Indicator Fr LH / Rr RH	2	2	
5	39 1225 15	Nut - Hexagon With Flange	2	2	

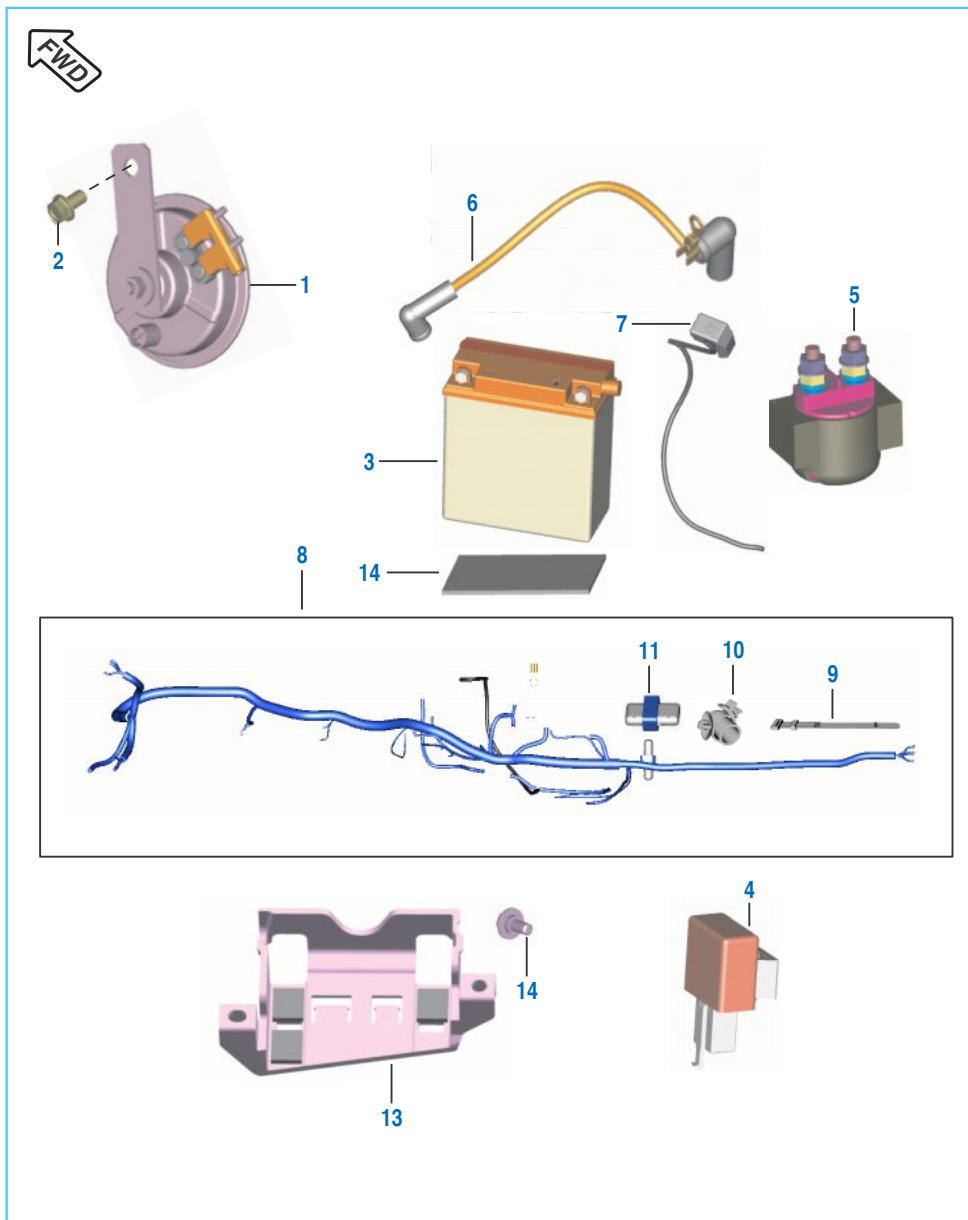


Tail Lamp Assly / Front Number Plate



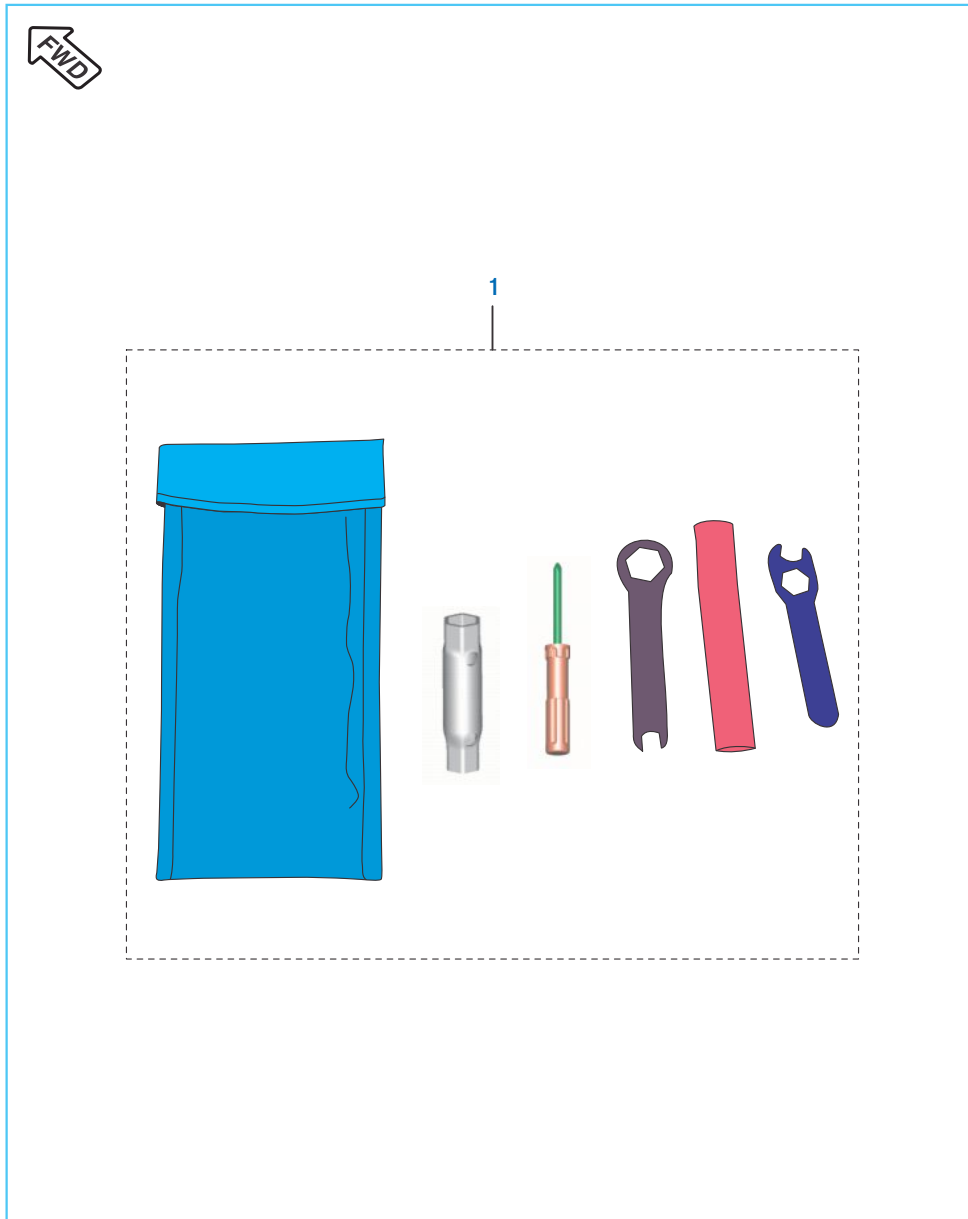
No.	Part No.	Description	Qty.		Remarks
			100M	125M	
1	39 0044 01	Screw Round Head	2	2	
2	39 1501 11	Washer Plain	2	2	
3	JU 2328 00	Front Number Plate	1	1	
4	JZ 2328 14	Foam	2	2	
5	PA 1812 79	Bracket Number Plate Front	1	1	Drum Brake
	JZ 1812 99	Bracket Number Plate Front	1	1	Disc Brake
6	39 1970 15	Nut	2	2	
7	39 1907 01	Screw M5	4	4	
8	YP A130 03	Tail Lamp W/O Bulb	1	1	
8A	YP A130 23	Tail Lamp Harness & Holder	1	1	
9	DJ 1612 29	Clip Nut M5	4	4	
10	DD 2010 02	Reflector - Reflex	1	1	
11	39 2484 15	Nut - Flange : M5	1	1	
12	JD 4010 07	Rear Number Plate Lamp	1	1	
13	JZ 4010 42	Spacer Illumination Lamp	1	1	
14	KB UA05 45	Screw Trus	2	2	
15	39 2124 15	Nut - Hexagon With Flange	2	2	
16	39 2476 04	Bolt - Hexagon Head	2	2	
17	DJ 1610 72	Bracket-Rear Number Plate	1	1	
18	DP 1611 45	Plate -No.:Rr	1	1	
19	JZ 2328 05	Foam Rear Number Plate	1	1	
20	30 2010 06	Bulb 21/5W	1	1	

Electrical Equipments



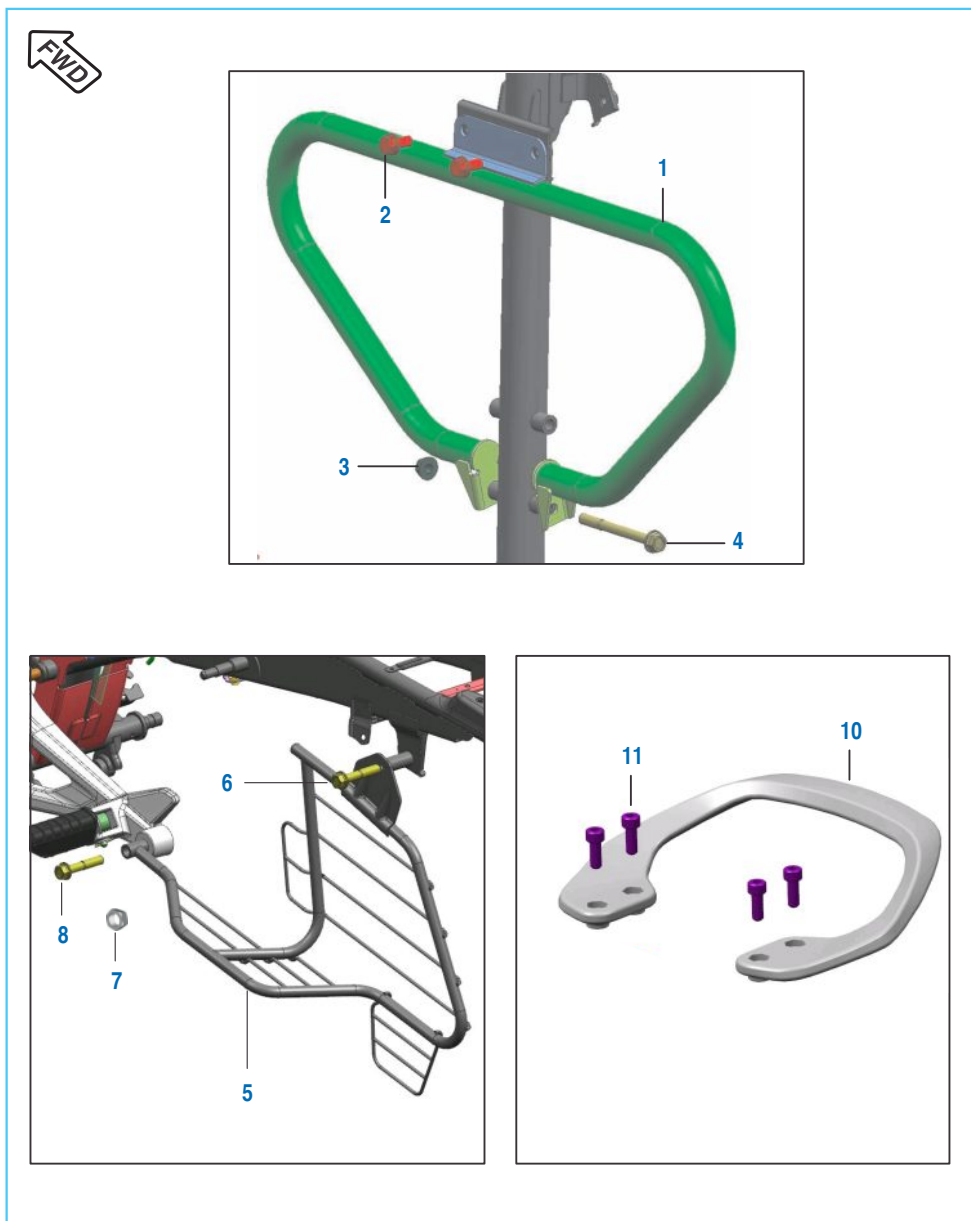
No.	Part No.	Description	Qty.		Remarks
			100M	125M	
1	JL 4016 02	Horn	1	1	Alternate
	JG 4016 01	Horn	1	1	
2	KA DD08 14	Bolt Flanged	2	2	Not Serviceable
3	DS 2010 81	Battery MF 5Ah	1	1	
4	DS 2010 25	Flasher - D. C.	1	1	
5	JN 3516 04	Starter Relay-with Grommet	1	1	
6	PA 4022 27	Cable Assy St Relay-Motor	1	1	
7	PA 4022 25	Cable Assy Battery-Earth	1	1	Refer Ser. Cir. A-24 Refer Ser. Cir. A-28
8	PA 4022 28	Harness Wiring	1	-	
	PA 4022 37	Harness Wiring - DC	1	1	
	PA 4022 38	Harness Wiring - DC	1	--	
9	30 2010 64	Band	4	4	Includes Foam
10	60 1114 17	Clip Positive Lock	1	1	
11	DJ 2012 19	Fuse Box Assly.	1	1	
12	PA 4018 09	Foam Battery	1	1	
13	PA 4018 08	Cap Battery	1	1	
14	LA D001 06	Bolt Flanged Stepped	2	2	

Tool Kit



No.	Part No.	Description	Qty.		Remarks
			100M	125M	
1	PA 2310 00	Tool Kit	1	1	Not Serviceable in Spare

Accessories / Grab Handle



No.	Part No.	Description	Qty.		Remarks
			100M	125M	
1	PA 2312 06	Leg Guard	1	1	
2	39 2553 04	Bolt Flange M8	2	2	
3	39 1970 15	Flange Hex Nut M8	2	2	
4	KA DD08 80	Bolt Flange M8	1	1	
5	PA 2312 07	Guard Saree	1	1	
6	KA DD08 55	Bolt Flange	1	1	
7	39 0296 15	Hexagon Nut	1	1	
8	KA DF10 50	Bolt	1	1	
9	KA CB10 40	Bolt Socket	1	1	
10	PA 2314 03	Assly Grab Handle	1	1	
11	KA CA08 20	Bolt-Socket	4	4	

# Kit List

*Discover* 125M/100M

Sr No	Kit Part No.	Kit Description	Consisting of Following Parts		
			Part No.	Description	Qty/Kit
1.	36PA0096	Kit Cylinder Head Assly	PA511045	Cylinder Head Machined	1
			31101064	Plug	1
			PA511236	Seat Valve	2
			PA511237	Seat Valve	2
			JA511004	Guide Valve	4
			39262921	O Ring	1
			39128321	Ring O	1
2.	36PA0153	Kit Valve Repair-D100 4V	39201719	Seal - Oil	2
			PA511223	Valve Spring	2
			PA511210	Retainer Valve Spring	2
			DG101029	Collet	4
			PA511224	Seat Valve Spring	2
3.	36PA0003	Kit Piston Ring Set	JB521207	Ring Piston (Top)	1
			JB521208	Ring Piston (Second)	1
			JB521209	Ring Piston (Oil)	1
4.	36PA0093	Kit Block Piston	PA521012	Block Cylinder	1
			PA521216	Piston Assembly	1
5.	36PA0115	Kit Guide Cam Chain-D125T	JE521019	Guide Cam Chain Tight D102C	1
			JE541030	Guide Cam Chain Slack Side	1
6.	36JE0024	Kit Friction Plate	JE551410	Plate Friction D102C	5
7.	36JZ0023	Kit Primary Drive & Driven	JZ531006	Gear Primary Drive	1
			PF551401	Clutch Hsg Assly Comp	1
8.	36JZ0008	Starter Clutch Repair Kit	DH101163	Roller Clutch(Dia 12X10)	5
			DH101164	Spring Starter Clutch	5
			DJ101109	Bush For Spring Starter	5
			JA621411	Bush Spring Starter Clutch	5
9.	36PA0099	Kit Assly Cover Clutch	JB541207	Cover Clutch	1
			31101064	Plug	2
			JB541201	Jet Clutch Cover	1
			39104119	Seal Oil	1
			30101142	Seal Oil	1

# Kit List

*Discover* 125M/100M

Sr No	Kit Part No.	Kit Description	Consisting of Following Parts		
			Part No.	Description	Qty/Kit
10.	JE541233	Assembly Cover Magneto	JZ541210	Cover Magneto	1
			JA541005	Bush Bendix	1
			30101195	Ring - O	1
			JA541233	Cap TDC Finder	1
			JE541230	Label Magneto Cover	1
11.	36PA0145	Assly Crankcase RH	PA541029	Crankcase RH	1
			PF541018	Bushing Drum	1
			JA541011	Needle Roller Bearing Hk1212	1
			52JA0027	Stud (JA541015) Pre-coated	1
			59200036	Bearing - Ball 6203 Hn3 C3	1
			31101064	Plug	1
			JA541014	Bolt Shift Change	1
12.	36DU1007	Boss Kick Set	30101233	Boss	1
			30101234	Spring	1
			30101236	Ball - Steel	1
			30101235	Pin	1
			39085517	Circlip : E-Type	1
14.	36PA0124	Kit Silencer W/O Shield			
15.	36PA0123	Kit Chain Sprocket	PA141011	Chain 120 Link	1
			PA141013	Sprocket Hub (43T)	1
			JB551000	Sprocket Output (14T)	1
16.	36PA0144	Kit Bearing Cone	JZ151090	Bearing Cone	1
			DH181024	Upper Bearing Race	1
			DH181025	Bearing Cone	1
			DJ181115	Cage Bearing Steering	2
			36001052	Grease Lethon RR-3 - 10GM	1

# Kit List

*Discover* 125M/100M

Sr No	Kit Part No.	Kit Description	Consisting of Following Parts		
			Part No.	Description	Qty/Kit
17.	36PA0121	Cylinder Complete Fork	30181020	Piston Ring	1
			JZ121013	Cap Oil Lock	1
			DM181008	Rebound Spring	1
			PA121041	Seat Pipe	1
18.	36PA0122	Kit Chain Case Upper+Lower	PA181269	Chain Case Upper Assly	1
			PA181272	Chain Case Lower Assly	1
19.	36PA0125	Kit Carb Jet D100 M	PA581210	Jet Needle	1
			NA	Needle Jet	1
			NA	Holder Needle Jet	1
			NA	Jet Main # 108	1
			NA	Jet Slow # 38	1
			NA	Jet Comp # 38 X # 38	1
20.	36PA0126	Kit Carb Slow Jet D100 M	NA	Screw Adjuster	1
			JB581240	'O' - Ring	1
			JB581244	Spring Compression Coil	1
			JB581245	Plain Washer	1
			JB581246	'O' - Ring	1
21.	36PA0106	Kit Carb Idling Screw D100T Kit	PA581214	Screw Stop	1
			JB581240	O-Ring	1
			PA581215	Spring Compression	1
22.	36PA0127	Kit Carb Throttle Valve D100T	NA	Valve Throttle	1
			PA581217	Bar Clip	1
			PA581218	Collar Magnet Holder	1
			PA581219	Spring Compression	1
23.	36PA0108	Kit Carb Gasket & O Ring D100T	PA581220	Gasket Float Chamber	1
			JB581239	Top Gasket	1
			JB581240	O-Ring	3
			JB581269	O-Ring 24X26 (Eng Side)	1

# Kit List

*Discover* 125M/100M

Sr No	Kit Part No.	Kit Description	Consisting of Following Parts		
			Part No.	Description	Qty/Kit
24.	36PA0146	Assly C'case LH	PA541032	C'case LH	1
			39256220	Bearing - NRB	1
			39171519	Seal Oil	1
			59200036	Bearing Ball	1
			JA541036	Plug Oil	1
			JZ541005	Nozzle Oil Jet	1
			JA541005	Bush Bendix	1
			39219019	Seal Oil	1
			25.	36DS1502	Speedo Gear Kit
30151041	Gear Screw	1			
26.	36DK0017	Kit Hardware Brake Rod	30191038	Pin	1
			39021911	Washer Plain	1
			39080808	Split Pin	1
			30191035	Spring	1
			15191026	Pin	1
			30191036	Nut Brake Adjuster	1
27.	36PA0006	Kit Gear Set Primary Drive & Driven	JB551401	Clutch Housing Complete	1
			JA531010	Gear Primary Drive	1
28.	36PA0152	Kit chain sprocket	JA131206	Sprocket Hub (42T)	1
			PA141013	Chain 120 Link	1
			JB551000	Sprocket Output	1
29.	36PA0157	Kit Chain Case-d125M	PA181308	Chain Case Upper Assembly	1
			PA181310	Chain Case Lower Assembly	1
30.	36JZ0007	Kit Chain Sprocket	DJ151035	Sprocket 43 T 4 Rubber	1
			JZ551004	Sprocket Output 14T Disco-H	1
			DS151082	Chain 120link Solid Bush	1

# Kit List

*Discover* 125M/100M

Sr No	Kit Part No.	Kit Description	Consisting of Following Parts		
			Part No.	Description	Qty/Kit
31.	36PA0154	Kit Piston Valve-D125M	JE581213	Diaphragm	1
			-----	Piston Valve Assembly	1
			-----	Spring	1
			-----	Holder	1
			JE581214	Spring	1
			Je581217	E-Ring	1
			24121370	Ring Shim	1
			DP121052	Washer	1
			-----	Jet Needle	1
32.	36PA0155	Kit Pilot Screw-D125M	-----	Pilot Screw	1
			JE581208	Spring Adjuster	1
			24121063	Washer	1
			JE581209	O Ring	1
			DH121130	O Ring	1
33.	36PA0156	Kit Jet D-125M	-----	Jet Needle	1
			JZ581219	Jet Holder	1
			-----	Main Jet	1
			-----	Pilot Jet	1.
			34.	36JZ0079	Kit Assly Cyl Head- 125ST
31101064	Plug	1			
39128321	O Ring	1			
39262921	O-Ring	1			
39166005	Stud M8X1.25X45L	2			
35.	36JZ0102	Valve Kit			
			JE511201	Valve Exhaust	1
36.	36JE0001	Kit Valve Repair- 125ST	39201719	Seal - Oil	2
			JD511203	Seat Valve Spring	2
			JD511204	Valve Spring	2
			JD511205	Retainer Valve Spring	2
			DG101029	Collet	4
37.	36JZ0074	Kit Block & Piston- 125ST	JE521208	Piston Assembly D102C	1
			JE521012	Cylinder Block D102C	1

# Kit List

*Discover* 125M/100M

Sr No	Kit Part No.	Kit Description	Consisting of Following Parts		
			Part No.	Description	Qty/Kit
38.	36JE0002	Kit Piston Ring- 125ST	JE521202	Top Ring Shriram	1
			JE521203	Second Ring Shriram	1
			JE521204	Oil Ring Shriram	1
39.	36JZ0075	Kit Assly Cl Cover - 125ST	JE541215	Cover Clutch D102A	1
			31101064	Plug	2
40.	36JE0019	Kit Float Chamber Body	NA	Float Body	1
			DP121059	O-Ring	1
			JE581218	Drain Screw	1
			DP121067	Screw	2
			DH121118	O Ring Drain Screw	1
41.	36JE0020	Kit Top Cap	NA	Diaphragm Cover	1
			DH121176	Screw	2
42.	36JE0021	Kit Plunger Assly	NA	Screw	1
			DD121058	Spring	1
			NA	Plunger Assly	1
			NA	Guide Holder	1
			NA	O-Ring	1
			NA	Dust Cap	1
43.	36JE0022	Kit Gasket/O-Ring-D125	DK121058	O Ring/Gasket Float Chamber	1
			DH121118	O-Ring - Drain Screw	1
			DH121088	O-Ring - Vc Screw	1
			DH121130	O-Ring - Vc Screw	1
44.	Dk121041	Kit VC Screw D125	NA	Screw Adjuster VC	1
			DH121130	O- Ring Screw VC (Outside - Near The Head Of Vc Screw)	1
			DH121086	Spring Screw VC	1
			DH121087	Plain Washer	1
			DH121088	'O' - Ring Screw VC (Inside - At The Tip Of Air Screw)	1

# Kit List



Sr No	Kit Part No.	Kit Description	Consisting of Following Parts		
			Part No.	Description	Qty/Kit
45.	36JZ0077	Kit Assly C' Case LH - 125ST	JZ541021	Crankcase LH Exclusive Disco-H	1
			JA541036	Plug (Oil Control)	2
			JA541005	Bush Bendix	1
			JZ541005	Nozzle Oil Jet	1
			39256220	Needle Roller Brg.	1
46.	PA541026	Assly C'case RH	PA541027	Crankcase RH	1
			59200036	Bearing - Ball 6203 HN3 C3	1
			JA541010	Stopper Plate Input Bearing	1
			DH101380	Screw - Pan :- Pr-Ecoated	1
			JA541011	Needle Roller Bearing Hk1212	1
			PF541018	Bushing Drum	1
			JA541012	Guide Kick	1
			39196404	Bolt - Flanged :- Small	2
			52JA0029	Bolt (JA541014) Pre-coated	1
			52JA0027	Stud (JA541015) Pre-coated	1

# Kit List



Sr No	Kit Part No.	Kit Description	Consisting of Following Parts		
			Part No.	Description	Qty/Kit



# Parts Index

*Discover* 125M/100M

Part Number	Figure No.	Page No.
15161069	2	98
22150241	14	26
28101214	9	32
30101096	5	32
30101142	18	28
30101195	3	30
30141031	3	90
30141031	10	54
30141039	16	90
30151032	3	62
30151033	1	62
30151033	3	64
30151035	21	62
30151038	16	70
30151038	24	62
30151042	22	62
30151068	12	62
30151069	11	62
30151069	14	70
30151096	20	72
30151118	17	62
30181025	4	78
30181026	5	78
30181029	10	78
30191048	24	76
30201006	20	104
30201064	9	106
31101173	6	12
31151007	13	70

Part Number	Figure No.	Page No.
31151018	5	70
31201079	12	72
31201081	7	22
36001052	7	50
39004401	1	104
39019811	10	72
39024211	6	56
39029215	17	52
39029615	7	110
39032615	8	56
39042215	9	58
39045411	10	52
39055302	9	52
39059417	2	8
39069415	19	72
39072211	12	92
39072211	16	100
39073817	3	26
39074011	12	90
39074701	10	22
39076101	4	90
39078408	12	54
39078912	14	78
39078912	17	72
39079708	6	58
39080708	22	72
39080808	11	72
39081715	4	18
39084001	23	62

# Parts Index

*Discover* 125M/100M

Part Number	Figure No.	Page No.
39084914	10	42
39090012	16	62
39098004	10	32
39098717	4	14
39099206	7	16
39099311	6	26
39099906	4	24
39099906	6	30
39099906	11	22
39100006	2	10
39100120	14	32
39101321	19	62
39104011	11	54
39104119	10	28
39107404	3	74
39118101	15	78
39122515	5	102
39128321	4	4
39135815	7	52
39150111	2	104
39154011	18	72
39156121	19	28
39167121	6A	28
39167504	5	44
39171404	14	54
39171519	3	22
39175904	12	22
39176601	7	100
39178924	8	92

Part Number	Figure No.	Page No.
39186420	2A	12
39190204	3	46
39190701	7	104
39191204	23	74
39195104	1	92
39196404	9	20
39197015	3	110
39197015	6	104
39197015	22	100
39198104	20	14
39201719	3	6
39212415	15	104
39214124	9	100
39217924	2	90
39219019	6	22
39224915	20	74
39240817	8	26
39242001	7	56
39242411	2	92
39245304	9	18
39247604	16	104
39248415	6	90
39248415	11	104
39249211	9	40
39253921	4	4
39255304	2	110
39256220	4	22
39260011	3A	32
39260801	3	4

# Parts Index

*Discover* 125M/100M

Part Number	Figure No.	Page No.	Part Number	Figure No.	Page No.
39262921	5	4	36DS1502	20	62
39266921	14	8	36DU1007	11	26
39270411	5	18	36JE0001	8	6
39272315	6	48	36JE0002	5	10
39272612	2	52	36JE0019	5	36
39275821	5	90	36JE0020	6	36
59040006	12	78	36JE0021	7	36
59040014	16	44	36JE0022	8	36
59040019	2	56	36JE0024	6	32
59040031	7	8	36JZ0007	2	70
59040038	2	2	36JZ0008	9	42
59040038	4	28	36JZ0023	3	32
59040038	10	30	36JZ0074	1	10
59040038	11A	22	36JZ0075	1	28
59040050	6	2	36JZ0077	1	22
59110002	10	6	36JZ0079	1	4
59110008	4	12	36JZ0102	2	6
59120003	3	12	36PA0003	5	10
59150003	12	64	36PA0006	3	32
59150014	2	12	36PA0093	1	10
59200036	2	22	36PA0096	1	4
59200036	4	20	36PA0099	1	28
59210023	16	22	36PA0106	4	34
59210024	17	14	36PA0108	6	34
60111417	10	106	36PA0115	9	8
36DJ4031	14	66	36PA0121	7	78
36DJ4032	7	68	36PA0122	1	98
36DJ4033	8	68	36PA0123	2	70
36DK0017	21	72	36PA0124	1	40

# Parts Index

*Discover* 125M/100M

Part Number	Figure No.	Page No.	Part Number	Figure No.	Page No.
36PA0125	2	34	36PA0163	8	86
36PA0126	3	34	36PA0164	9	86
36PA0127	5	34	36PA0165	10	88
36PA0128	8	82	36PA0166	8	86
36PA0129	8	82	36PA0167	9	86
36PA0131	8	82	36PA0168	10	88
36PA0132	8	82	36PA0169	8	86
36PA0133	9	82	36PA0170	9	86
36PA0134	9	82	36PA0171	10	88
36PA0135	9	82	36PA0172	8	86
36PA0136	9	82	36PA0173	9	86
36PA0137	9	82	36PA0174	10	88
36PA0138	10	82	36PA0175	8	86
36PA0139	10	82	36PA0176	9	86
36PA0140	10	82	36PA0177	10	88
36PA0141	10	82	52JA0027	10	20
36Pa0142	10	82	52PA0516	2	84
36PA0144	3	50	52PA0517	2	84
36PA0145	1A	20	52PA0518	3	84
36PA0146	1	22	52PA0519	3	84
36PA0152	2	70	52PA0520	5	84
36PA0153	8	6	52PA0521	5	84
36PA0154	2	36	52PA0522	6	86
36PA0155	3	36	52PA0523	6	86
36PA0156	4	36	52PA0524	1	84
36PA0157	1	98	52PA0525	1	84
36PA0160	8	86	52PA0528	2	84
36PA0161	9	86	52PA0529	2	84
36PA0162	10	88	52PA0530	3	84

# Parts Index

*Discover* 125M/100M

Part Number	Figure No.	Page No.	Part Number	Figure No.	Page No.
52PA0531	3	84	DD111011	12	44
52PA0532	5	84	DD111012	10	44
52PA0533	5	84	DD111018	17	44
52PA0536	6	86	DD121181	8	28
52PA0537	6	86	DD141227	13	90
52PA0538	1	84	DD161078	3	72
52PA0539	1	84	DD181032	6	78
52PA0554	6	86	DD201002	10	104
52PA0555	6	86	DD201170	19	74
52PA0560	5	86	DE151006	2	64
52PA0561	5	86	DE151008	5	64
52PA0563	2	84	DE151012	4	64
52PA0565	2	84	DE151046	2	68
52PA0568	3	84	DE151047	3	68
52PA0569	3	84	DE151048	5	68
52PA0571	1	84	DE191035	4	66
52PA0572	1	84	DF161102	7	58
56Pa053E	4	84	DF181091	16	74
56PA056C	4	84	DF181092	18	74
56PA056D	4	84	DG101029	4	6
56PA056E	4	84	DG101339	12	18
AA121071	14	4	DG101418	12	28
CF111019	17	44	DG121025	6	38
CL201023	3	100	DG121025	8	2
CM201054	4	94	DG161121	7	92
CM201054	4	94	DG161224	3	54
CS101128	11	8	DH101048	6	8
DD101048	11	44	DH101264	8	22
DD101097	12	26	DH101301	6	40

# Parts Index

*Discover* 125M/100M

Part Number	Figure No.	Page No.	Part Number	Figure No.	Page No.
DH101380	6	20	DJ161278	18	54
DH101380	7	44	DJ181115	4	50
DH101382	7	42	DJ191025	10	66
DH101392	10	8	DJ191026	11	66
DH101395	5	40	DJ191027	15	66
DH101509	11	18	DJ191029	2	66
DH101781	8	42	DJ191030	3	66
DH111013	15	44	DJ191031	5	66
DH111015	13	44	DJ191034	6	66
DH121038	11	38	DJ191035	7	66
DH121041	15	36	DJ191058	8	66
DH121059	11	36	DJ191059	1	66
DH121063	14A	36	DJ191083	7	74
DH121064	12	36	DJ201109	9	66
DH121093	13	36	DJ201173	10	56
DH121176	18	36	DJ201173	12	56
DH141048	18	90	DJ201219	11	106
DH151029	16	72	DK101610	8	40
DH161061	9	54	DK121041	9	36
DH161066	8	58	DK141041	15	90
DH161121	5	58	DK201049	6	50
DH161231	16	92	DL181080	6A	78
DJ141008	4	92	DL191020	21	100
DJ161069	4	56	DP101165	6	10
DJ161072	17	104	DP121018	20	36
DJ161186	13	54	DP121059	19	36
DJ161229	9	92	DP121067	17	36
DJ161229	9	104	DP161145	18	104
DJ161229	5A	100	DP171006	8	52

# Parts Index

*Discover* 125M/100M

Part Number	Figure No.	Page No.
DS101117	4	26
DS101154	7	12
DS101215	11	28
DS101276	5	8
DS101366	9	6
DS121126	7	38
DS141012	5	92
DS141012	14	90
DS151048	2	60
DS151049	3	60
DS151052	5	60
DS151053	6	60
DS151087	8	62
DS151089	10	62
DS151090	17	70
DS151091	9	62
DS151092	6	62
DS151094	7	62
DS151094	20	70
DS151095	5	62
DS161125	3	56
DS161287	7	94
DS181012	11	78
DS181015	16	78
DS181016	17	78
DS191052	8	74
DS191078	20	100
DS201025	4	106
DS201081	3	106

Part Number	Figure No.	Page No.
DU101213	19	14
DU161102	6A	92
DX151008	7	70
DX151015	27	70
DX151018	22	70
DX161052	4	98
DX191001	22	74
DX191009	25	76
DZ141075	17	90
FD101078	2	24
FD181019	15	74
FD181020	14	74
FD181030	4	74
FD181031	13	74
GH201012	2	102
JA113403	5	48
JA131205	9	70
JA131606	18	62
JA351600	4	42
JA511008	5	2
JA511028	6	4
JA511211	7	6
JA511216	4	8
JA521018	3	8
JA521019	5	28
JA521019	13	8
JA531007	15	32
JA531012	8	12
JA531015	5	12

# Parts Index

*Discover* 125M/100M

Part Number	Figure No.	Page No.
JA541005	5	22
JA541005	7	30
JA541010	5	20
JA541011	3	20
JA541012	8	20
JA541014	7	20
JA541016	3	24
JA541021	15	22
JA541028	6	44
JA541034	9	22
JA541044	4	30
JA541205	8	30
JA541211	14	28
JA541212	15	28
JA541225	13	28
JA541233	2	30
JA541235	11	20
JA541236	16	28
JA541237	17	28
JA551002	3	14
JA551004	7	14
JA551008	15	14
JA551009	16	14
JA551406	2	32
JA551420	12	32
JA561002	5	16
JA561207	6	18
JA561208	8	18
JA561209	7	18

Part Number	Figure No.	Page No.
JA581406	10	4
JA591040	2	40
JA621001	1	26
JA621002	5	26
JA621006	2	26
JA621201	10	26
JA621206	13	26
JA621402	1	42
JA621406	2	42
JA621410	3	42
JA621414	6	42
JB122009	1	52
JB122010	4	52
JB122011	3	52
JB122016	6	52
JB131017	4	62
JB131017	10	64
JB131018	11	64
JB131018	13	62
JB131019	14	62
JB131019	23	70
JB131022	13A	62
JB131223	15	70
JB131224	19	70
JB131225	21	70
JB351024	1	44
JB351025	2	44
JB401400	5	74
JB402202	7	10

# Parts Index

*Discover* 125M/100M

Part Number	Figure No.	Page No.	Part Number	Figure No.	Page No.
JB511018	2	4	JD351206	14	44
JB511019	7	4	JD401007	12	104
JB531021	9	12	JD511004	2	4
JB551000	18	14	JD511008	7	4
JB551408	4	32	JD511010	3	2
JB551410	1	32	JD511209	7	6
JB551411	7	32	JD521002	3	10
JB551412	8	32	JD541000	17	22
JB571000	1	24	JD551400	11	32
JB571005	1	24	JD561004	3	16
JB571006	5	24	JD561011	6	16
JB581202	17	34	JE351005	2	44
JB581204	18	34	JE511204	6	6
JB581229	7	34	JE511230	8	8
JB581230	8	34	JE521016	12	8
JB581232	10	34	JE531001	2A	12
JB581237	12	34	JE541008	9	26
JB581247	15	34	JE541230	5	30
JB581248	16	34	JE541231	6	28
JB581256	9	34	JE541233	1	30
JB581258	13	34	JE551409	13	32
JB581260	11	34	JE581213	10	36
JD111052	3	92	JE581218	16	36
JD111052	9	90	JE581223	14	36
JD121002	12	52	JE591002	3	40
JD141003	1	70	JF402000	4	44
JD161002	6	72	JG181236	8	100
JD161006	7	72	JG401601	1	106
JD191006	6	46	JG571024	13	22

# Parts Index

*Discover* 125M/100M

Part Number	Figure No.	Page No.	Part Number	Figure No.	Page No.
JL131807	4	68	JZ161210	1	96
JL181219	10	92	JZ171004	1	90
JL401602	1	106	JZ171809	10	90
JN131003	8	64	JZ171822	11	90
JN181211	14	64	JZ181299	5	104
JN351604	5	106	JZ181322	6	92
JN402000	4	44	JZ181415	1	56
JU232800	3	104	JZ181416	5	56
JW131801	1	68	JZ191010	5	46
JW131807	6	68	JZ232805	19	104
JW181241	13	64	JZ232814	4	104
JW351400	4	10	JZ233177	11	82
JW541000	3	28	JZ233177	11	88
JW541005	2	28	JZ233201	7	86
JW561206	2	18	JZ233213	7	86
JW561208	3	18	JZ401029	2	100
JW591030	7	40	JZ401038	1	102
JZ113042	17	54	JZ401039	4	102
JZ113207	4	58	JZ401042	13	104
JZ121015	13	78	JZ401403	10	74
JZ131601	9	64	JZ511021	1	2
JZ131818	6	64	JZ541214	7	28
JZ131875	9	72	JZ551004	18	14
JZ151081	18	78	JZ551205	13	14
JZ151083	5	50	JZ551413	1	32
JZ151084	2	50	JZ551415	9	32
JZ151091	19	78	JZ561002	4	16
JZ161019	2	72	JZ571000	1	24
JZ161023	6	74	JZ571001	5	24

# Parts Index

*Discover* 125M/100M

Part Number	Figure No.	Page No.	Part Number	Figure No.	Page No.
JZ581025	5	38	KPBC6004	8	70
JZ73063F	4	80	LAC00002	7	64
JZ73065J	4	80	LAD00001	4	48
JZ73065R	4	80	LAD00002	3	48
KACA0820	11	110	LAD00011	5	42
KACB1040	9	110	LAD00037	13	66
KADA0618	2	38	LAD00048	8	48
KADB0516	6	94	LAD00053	10	38
KADD0614	11	92	LAD00070	9	38
KADD0614	18	44	LAD00091	19	100
KADD0670	8	38	LAD00095	5	94
KADD0814	2	106	LAD00106	14	106
KADD0822	5	54	LAE00007	3	98
KADD0855	6	110	LAE00022	11	56
KADD0880	4	110	LBU00004	15	64
KADE0614	15	100	LBU00005	16	64
KADF0620	19	44	LBU00007	15	92
KADF1050	8	110	LCA00005	3	102
KBUA0545	14	104	LCG00001	2	48
KBUB0510	6	100	LCL00003	12	70
KBUB0520	4	100	LJA00004	14	22
KDBA0512	5	100	LJA00011	12	4
KDCB0816	4	54	PA111132	1	50
KPBB6201	4	70	PA111240	1	50
KPBB6202	3	70	PA111246	1	50
KPBB6301	1	64	PA113008	2	54
KPBB6301	2	62	PA113022	6	54
KPBB6301	3	70	PA113024	1	54
KPBB6302	4	70	PA113035	15	54

# Parts Index

*Discover* 125M/100M

Part Number	Figure No.	Page No.	Part Number	Figure No.	Page No.
PA113038	7	54	PA131234	25	70
PA113040	16	54	PA131238	4	60
PA113041	8	54	PA131239	11	70
PA113059	7	54	PA131241	4	60
PA113204	3	58	PA131261	10	70
PA113207	1	58	PA131263	6	70
PA113208	2	58	PA131610	26	70
PA113410	1	48	PA131825	8	72
PA113413	7	48	PA131835	18	70
PA113414	7	48	PA131844	12	66
PA121017	9	78	PA131850	8	72
PA121030	1	78	PA151009	2	74
PA121034	2	78	PA151011	17	74
PA121035	3	78	PA151013	9	74
PA121036	1	78	PA151014	21	74
PA121039	2	78	PA151020	2	74
PA121040	3	78	PA161004	13	72
PA121042	8	78	PA161006	1	72
PA121046	13	78	PA161203	2	96
PA122021	16	52	PA161207	7	46
PA122022	15	52	PA161208	4	96
PA122023	14	52	PA161209	3	96
PA122026	5	52	PA161211	2	46
PA122028	13	52	PA161215	2	96
PA122029	11	52	PA171017	8	90
PA122034	13	52	PA181276	11	100
PA131019	1	60	PA181277	12	100
PA131021	1A	60	PA181278	17	100
PA131217	24	70	PA181279	5	104

# Parts Index

*Discover* 125M/100M

Part Number	Figure No.	Page No.	Part Number	Figure No.	Page No.
PA181280	1	94	PA351212	9	44
PA181281	10	100	PA351213	3	44
PA181283	2	94	PA351214	3	44
PA181283	14	100	PA351215	3	44
PA181295	13	92	PA401018	15	94
PA181296	14	92	PA401405	1	74
PA181301	13	100	PA401808	13	106
PA181305	18	100	PA401809	12	106
PA181405	1	56	PA402225	7	106
PA181408	9	56	PA402227	6	106
PA191005	1	46	PA402228	8	106
PA191010	4	46	PA402237	8	106
PA231000	1	108	PA402423	3	94
PA231206	1	110	PA402440	3	94
PA231207	5	110	PA402601	7	90
PA231403	10	110	PA501011	1	20
PA231600	11	74	PA501019	1	20
PA231601	12	74	PA511039	4	2
PA233126	7	82	PA511215	1	8
PA233138	7	82	PA511228	1	6
PA233139	7	82	PA511229	2	6
PA233142	7	82	PA511232	5	6
PA233227	7	82	PA511234	6	6
PA233247	7	86	PA511246	1	8
PA233259	7	86	PA521214	6	10
PA233271	7	86	PA531025	1	12
PA233283	7	86	PA531029	1	12
PA351018	1	44	PA541026	1A	20
PA351210	8	44	PA541213	11	30

# Parts Index

*Discover* 125M/100M

Part Number	Figure No.	Page No.	Part Number	Figure No.	Page No.
PA541217	9	30	PA71043F	1	80
PA541224	3	28	PA71045R	1	80
PA551002	1	14	PA71045V	1	80
PA551205	14	14	PA71045W	1	80
PA551206	12	14	PA72043B	4	80
PA551207	2	14	PA74033C	2	80
PA551404	1	32	PA74033F	2	80
PA551405	9	28	PA74035R	2	80
PA561005	1	16	PA74035V	2	80
PA561207	7	18	PA74035W	2	80
PA561402	10	18	PA74043C	3	80
PA581029	3	38	PA74043F	3	80
PA581034	4	38	PA74045R	3	80
PA581034	7	2	PA74045V	3	80
PA581039	1	38	PA74045W	3	80
PA581042	1	38	PA74053C	6	82
PA581205	11	4	PA74053F	6	82
PA581222	14	34	PA74055R	6	82
PA581225	13	4	PA74055V	6	82
PA581226	1	36	PA74055W	6	82
PA581227	21	36	PA75043C	5	80
PA581228	1	34	PA75043F	5	80
PA581406	8	4	PA75045R	5	80
PA581407	9	4	PA75045V	5	80
PA581409	9A	4	PA75045W	5	80
PA591077	4	40	PF122016	15	52
PA591120	4	40	PF122019	15	72
PA621005	7	26	PF511021	6	2
PA71043C	1	80	PF541018	2	20

# Parts Index

*Discover* 125M/100M

Part Number	Figure No.	Page No.
PF551003	8	14
PF551200	6	14
PF551201	5	14
PF551203	9	14
PF551204	11	14
PF551206	10	14
PF561002	2	16
PF561200	1	18
YPA13001	26	76
YPA13002	1	100
YPA13003	8	104
YPA13004	8	94
YPA13005	9	94
YPA13006	10	94
YPA13007	11	94
YPA13008	12	94
YPA13009	13	94
YPA13010	14	94
YPA13012	1	40
YPA13014	26	76
YPA13015	8	94
YPA13016	9	94
YPA13017	10	94
YPA13018	11	94
YPA13019	13	94
YPA13020	14	94
YPA13021	16	94
YPA13022	16	94
YPA15001	1	40

Part Number	Figure No.	Page No.
YPA15002	8	94
YPA15003	11	94